

TECHNICAL BULLETIN

K386NAS1

21 JUN 2016



© Jaguar Land Rover North America, LLC

NOTE: The information in Technical Bulletins is intended for use by trained, professional Technicians with the knowledge, tools, and equipment required to do the job properly and safely. It informs these Technicians of conditions that may occur on some vehicles, or provides information that could assist in proper vehicle service. The procedures should not be performed by 'do-it-yourselfers'. If you are not a Retailer, do not assume that a condition described affects your vehicle. Contact an authorized Jaguar service facility to determine whether this bulletin applies to a specific vehicle.

SECTION: 501-12

Service Action: Sunglasses Holder Latch

AFFECTED VEHICLE RANGE:

XE (X760)

Model Year: 2017
VIN: 923882-930481
Assembly Plant: Solihull

XF (X260)

Model Year: 2016
VIN: Y00070-Y11949
Assembly Plant: Castle Bromwich

XF (X260)

Model Year: 2017
VIN: Y11889
Assembly Plant: Castle Bromwich

MARKETS:

USA

CONDITION SUMMARY:

Situation: An issue has been identified on a limited number of vehicles listed within the Affected Vehicle Range where the overhead sunglass holder appears to be distorted and will not latch correctly in certain conditions.

Action: Retailers are required to **HOLD** affected new vehicles that are within your control and refrain from releasing the vehicles for **new vehicle sale** pending completion of the Service Instruction detailed in this Technical Bulletin. Unsold vehicles should have this performed as part of the Pre-Delivery Inspection (PDI) process but **must** have it completed prior to vehicle handover to the customer.

Affected vehicles already in the hands of customers should be updated at the next available opportunity.

PARTS:



NOTE: Order only the expected percentage demand of parts identified.



NOTE: NyoGel® 774L to be sourced from the Squeaks & Rattles kit.

DESCRIPTION	PART No./SUNDRY CODE	QTY./VALUE	EXPECTED % of VEHICLES REQUIRING PARTS
Sunglasses Holder Jet	T2H23526PVJ	1	100
	T2H23526LKP	1	100

DESCRIPTION	PART No./SUNDRY CODE	QTY./VALUE	EXPECTED % of VEHICLES REQUIRING PARTS
Sunglasses Holder Light Oyster			

SPECIAL TOOLS:

Refer to Workshop Manual/Service Instruction for any required tools.

WARRANTY:

NOTE: Check DDW to ensure that a vehicle is affected by this program prior to undertaking any rework action.

At the time of confirming a booking for vehicle repair, ensure that all outstanding Recalls and Service Actions are identified to ensure the correct parts are available and adequate workshop time is allocated for repairs to be completed at one visit.

Warranty claims must be submitted quoting Program Code **K386** together with the relevant Option Code from the table. SRO and parts information is included for information only. The Option Code(s) that allows for the drive in / drive out allowance can only be claimed if the vehicle is brought back into the workshop for this action alone to be undertaken.

This program is valid for a limited time only. Warranty claims with a repair date prior to the **31 May 2018** closure date must be submitted or payment within 30 calendar days of completion of the repair.

Repair procedures are under constant review and therefore times / prices are subject to change; those quoted here must be taken as guidance only. Refer to TOPIX to obtain the latest repair time.

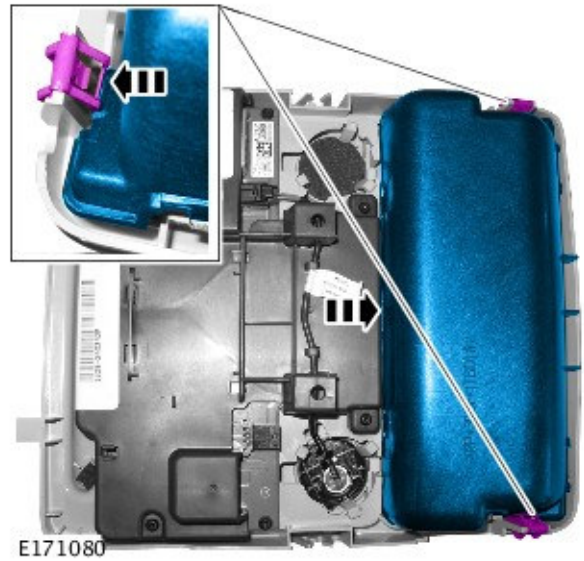
Program Code	Option	Description	SRO	Time	Part No.	Qty.
K386	B	Replace Sunglasses Holder - Jet	76.13.23	0.20	T2H23526PVJ	1
K386	C	Replace Sunglasses Holder - Jet Drive in/drive out	76.13.23 10.10.10	0.20 0.20	T2H23526PVJ -	1 -
K386	D	Replace Sunglasses Holder - Light Oyster	76.13.23	0.20	T2H23526LKP	1
K386	E	Replace Sunglasses Holder - Light Oyster Drive in/drive out	76.13.23 10.10.10	0.20 0.20	T2H23526LKP -	1 -

Normal Warranty policies and procedures apply.

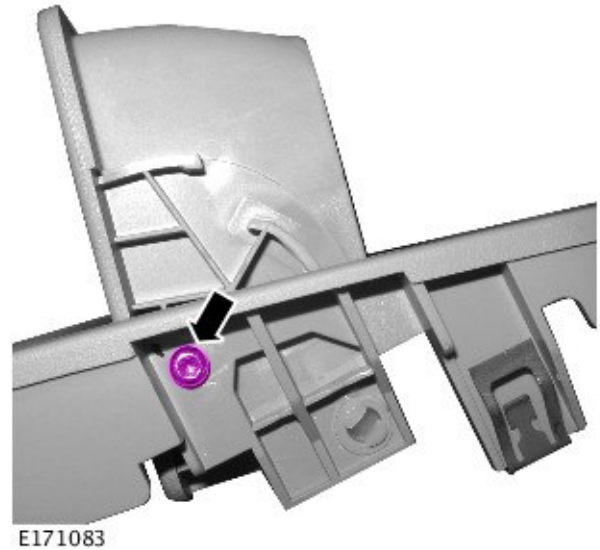
SERVICE INSTRUCTION:

1. Remove the front overhead console (see TOPIX Workshop Manual section 501-12: Instrument Panel and Console).

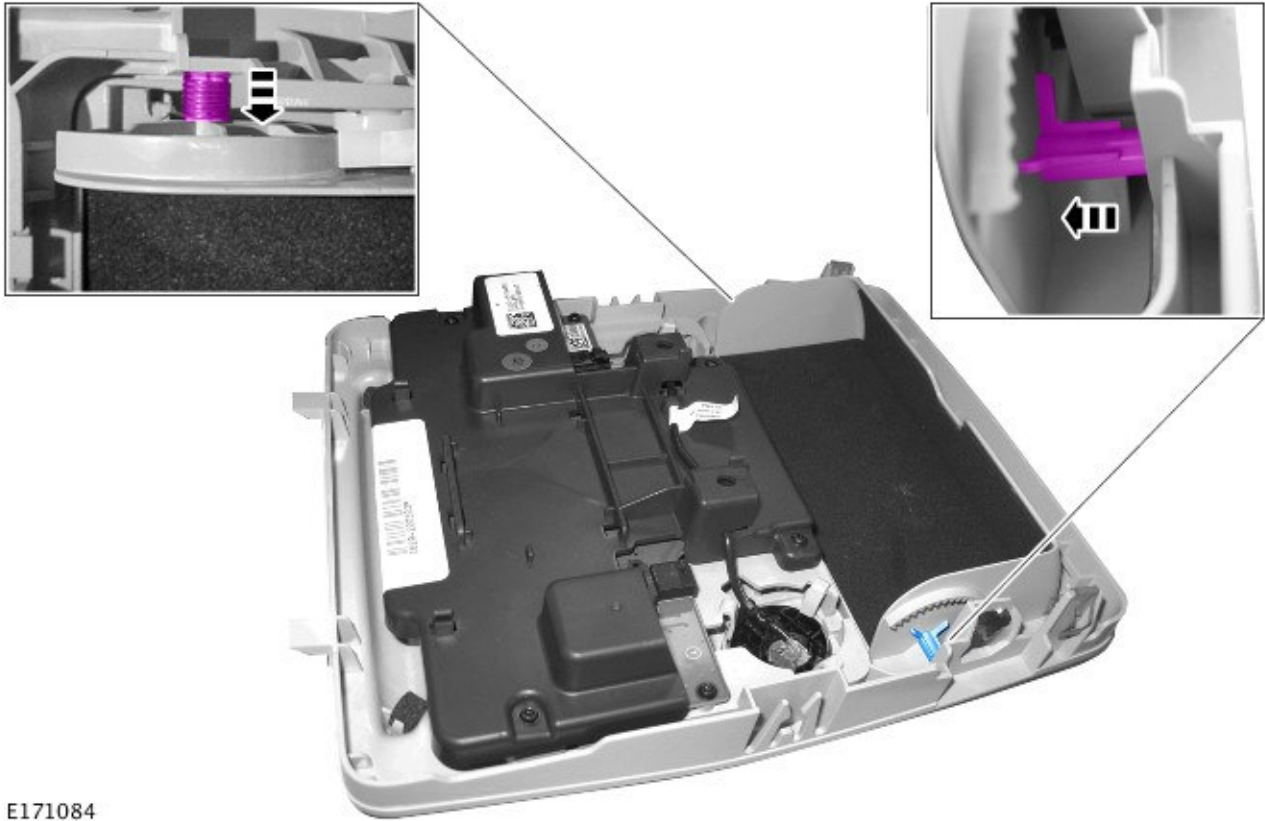
2. Hold the rear cover and push the sunglasses holder cover in the direction shown.
 - Lift up to release the two rear retaining clips.
 - Push the outboard retaining clip tower in direction shown and then the sunglasses holder cover can lift upwards away from the metal retaining clip.
 - Repeat for the other side and remove the sunglasses holder cover from the front overhead console.



3. Remove and discard the retaining screw on the side of the sunglasses holder if present.



4. Remove and discard the sunglasses holder.
- Remove the pin near to the damper.
 - Remove the pin on the other side of sunglasses holder door.



E171084

5.  **NOTE: NyoGel® 774L (from the Squeaks & Rattles Kit).**

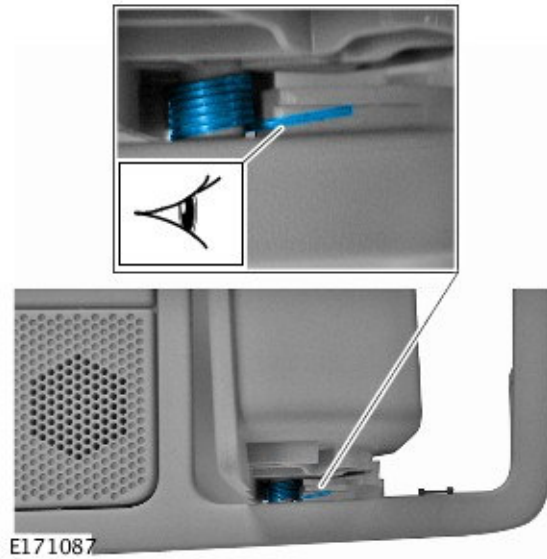
Apply NyoGel® 774L (or equivalent) into the hinge pin holes.



E171086

6.  **NOTE: Make sure the spring is positioned correctly.**

Install the new sunglasses holder.



7.  **NOTE: Use care when installing the sunglasses holder cover or the sunglasses bin will not function correctly.**

Install the sunglasses holder cover.

8. Operate the sunglasses holder a minimum of three times to check correct functionality.
9. Install the front overhead console (see TOPIx Workshop Manual, section 501-12: Instrument Panel and Console).