

Date: June/2026	Form ID: WI26001
------------------------	-------------------------

Door latch striker adjustments

Contents

1	Required tools and materials	2
2	Work Instructions	2
2.1	Vertical adjustment	2
2.2	Striker pin depth adjustment	3
2.3	Side to side adjustment	4

www.rosenbaueramerica.com

recalls@rosenbaueramerica.com

Rosenbauer South Dakota, LLC.
 100 Third Street
 Lyons, South Dakota 57041
 P: 605-543-5591

Rosenbauer Minnesota, LLC.
 5181 260th Street
 P.O. Box 549
 Wyoming, Minnesota 55092
 P: 651-462-1000

Rosenbauer Motors, LLC.
 5190 260th Street
 P.O. Box 549
 Wyoming, Minnesota 55092
 P: 651-462-1000

Rosenbauer Aerials, LLC.
 870 South Broad Street
 Fremont, Nebraska 68025
 P: 402-721-7622

1 Required tools and materials

- Impact drill, T50 Torx bit, 3/16" Allen bit
- Door striker assembly, shim, mounting hardware

2 Work Instructions

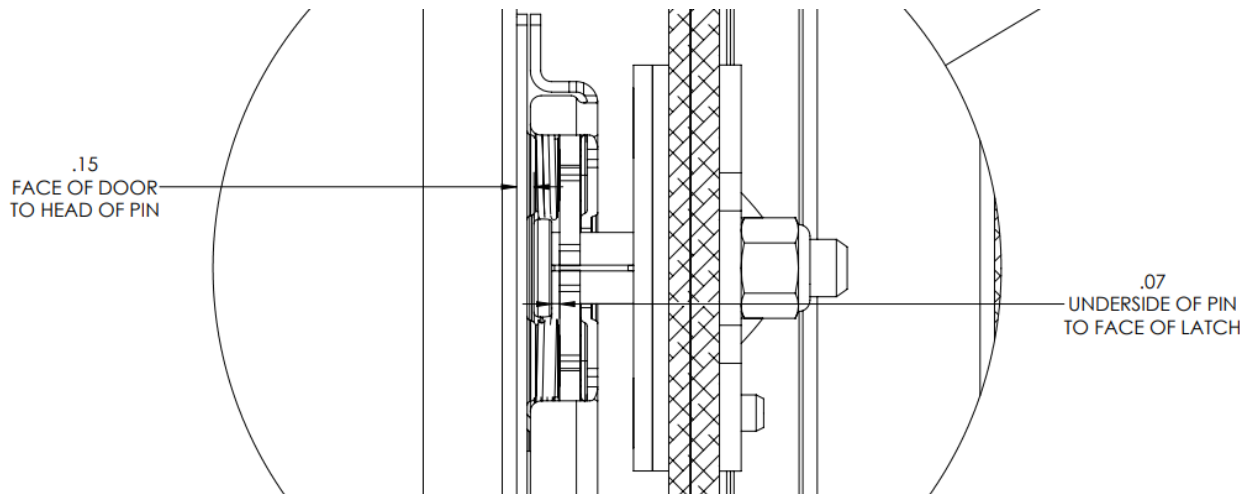
2.1 Vertical adjustment

- Close door so the Door Latch is almost touching the Striker Pin.
- Inspect the vertical alignment. The Striker Pin should be centered in the jaws of the door latch.
- Loosen Striker Pin Screws, adjust the Striker Assembly vertically as needed, snug both Striker Pin Screws.
- Re-inspect vertical alignment & repeat vertical adjustment as needed.



2.2 Striker pin depth adjustment

- Align sleeve on Striker Pin so the key tab is aligned with the keyway in the Striker Plate.
- While holding the sleeve to prevent rotating, snug the Striker Pin with a T50 torx bit and an impact drill.
- Gently close the door to check Striker Pin depth. Head of the Striker Pin should be between the jaws and faceplate of the door latch.
- If adjustment is required, remove the assembly and add an additional Striker Plate Shim between the original Striker Plate Shim and the cab pillar.
- Reassemble per the above instructions
- Gently close the door to re-check Striker Pin depth. Repeat as necessary.



2.3 Side to side adjustment

- Close the door to check side to side alignment.
- The door should be as close to flush as possible with the cab and should be touching the seal all the way around the door.
- If adjustment is required, loosen both Striker Plate Screws and the Striker Pin.
- Move the Striker Assembly side to side as needed. Snug both Striker Plate Screws and Striker Pin.
- Close the door and re-check alignment. Repeat side to side adjustment as necessary until properly aligned.

