

Technical Service Bulletin

Transaction No.: **2074806/5**

37 Noises after selecting a gear while idling and the vehicle is stationary, or while driving

Release date: May 28, 2026

Condition

Model(s)	Year(s)	VIN Range	Vehicle Specific Equipment
A6	2016 – 2025	All	With transmission type DL-382 and Without PR Code 0K3
A4, and A4 allroad	2017 – 2025		
A5 Sportback, and Q5	2018 – 2025		
A5, and A5 Cabriolet	2018 – 2024		
A7	2019 – 2025		
A6 allroad	2020 – 2025		
Q5 Sportback	2021 - 2025		

REVISION HISTORY		
Revision	Date	Purpose
5	-	Revised attachments (Attached videos) Revised <i>Condition</i> (Added model table, updated verbiage) Revised <i>Warranty</i> (Updated warranty table)
4	07/10/2025	Revised <i>Service</i> (Corrected image reference)
3	05/22/2025	Revised title (Updated for clarity) Revised header (Updated models)

Customer states:

- Noises after selecting a gear at idle speed when the vehicle is stationary.

and/or

- Noises when driving in odd-numbered gears (1st, 3rd, 5th gear).

and/or

- Noises when driving in even-numbered gears (R, 2nd, 4th gear).

and/or

- Oil loss.

Workshop findings:

- The customer complaint(s) can be reproduced.

and/or

- The noise in the vehicle interior can be reproduced (see attached video).
 - **Note:** The noises change when a gear is selected/deselected (example 2).

and/or

- Noises from rear of gearbox (see attached video).
 - **Note:** The noises change with the engine speed (example 1).

and/or

- Noises from the area of the dual-mass flywheel (service flap).

and/or

- Evidence of ATF loss when the service flap is open.

and/or

- **The noises can be allocated to accelerometer 1 and/or 2 using the Pico NVH tool (VAS 611015).**
 - **Please observe the instructions under Service.**

and/or

- **Abrasion visible on the permanent magnets of the oil pan (see figure 1).**



Figure 1. Abrasion is visible on the permanent magnets of the oil pan.




video_1.mp4

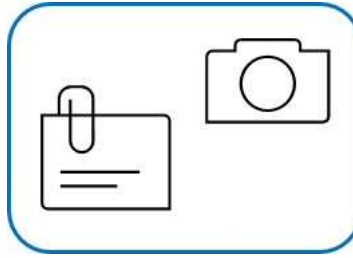

video_2.mp4


document_type_attachment.pdf



Figure 2. Video attachment tab in ElsaPro.

Figure 3. Attachments window slide in Elsa2Go.



Documentation required

Technical Background

Bearing A (Figure 7) on dual clutch.

Production Solution

Not applicable.

Service

Try to reproduce the customer complaint (based on the description/workshop findings/event memory entries), so that it can be clearly assigned to this TSB. The following repair must only be carried out if all the criteria (model/type, chassis number, engine/gearbox code, PR number(s), part number, software version, code etc.) apply exactly. Otherwise, this measure will not eliminate the problem, and repeat repairs may be necessary. In such a case, we may reject the warranty claim and charge back the cost of the parts.

Optional additional information through analysis with Pico NVH tool (VAS 611015):

- Attach acceleration sensors and microphone as described under “Measuring points_page_1” and “Measuring points_page_2”.

Messpunkte für Beschleunigungssensoren und Mikrofon
/ measuring point for accelerometer and microphone

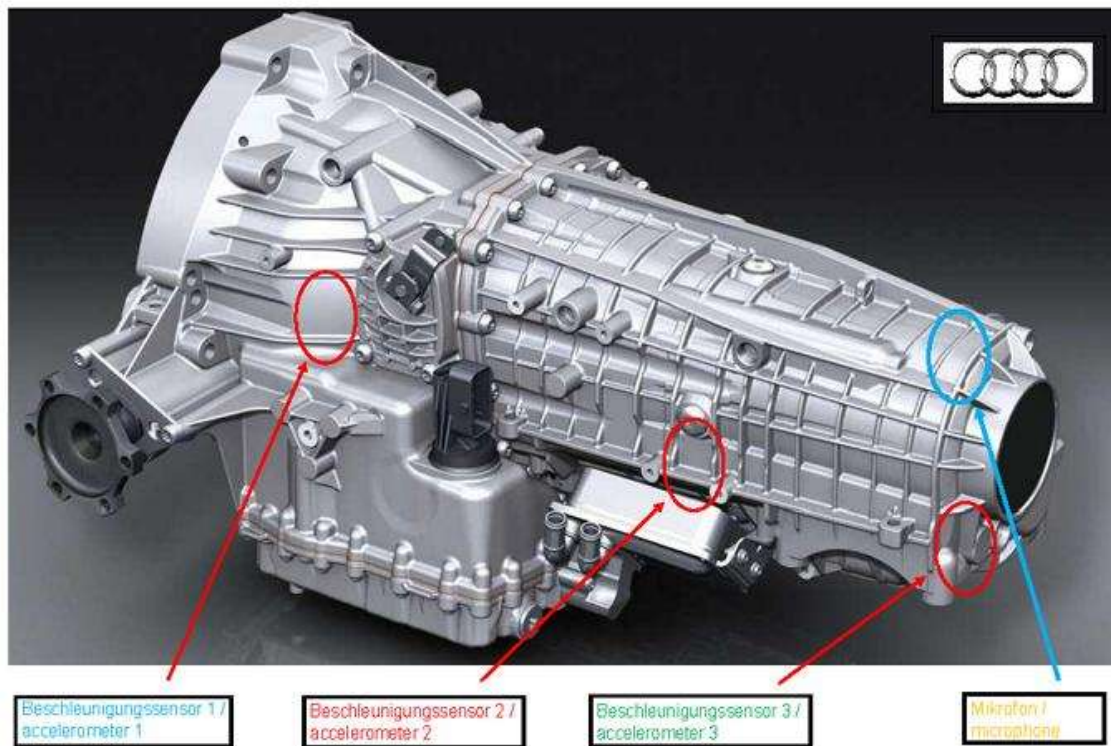


Figure 4. "Measuring points_page_1"

**Messpunkte für Beschleunigungssensoren und Mikrofon
/ measuring point for accelerometer and microphone**


Kanal A / canal A	Kanal B / canal B	Kanal C / canal C	Kanal D / canal D
Beschleunigungssensor 1 / accelerometer 1	Beschleunigungssensor 2 / accelerometer 2	Beschleunigungssensor 3 / accelerometer 3	Mikrofon / microphone
			

Figure 5. “Measuring points_page_2”

- Analysis of the measurement via acceleration sensor 1/channel A and acceleration sensor 2/channel B.
 - Frequency range of approx. 250-600Hz can be detected here.

Auswertung der Messung / analysis of the measurement

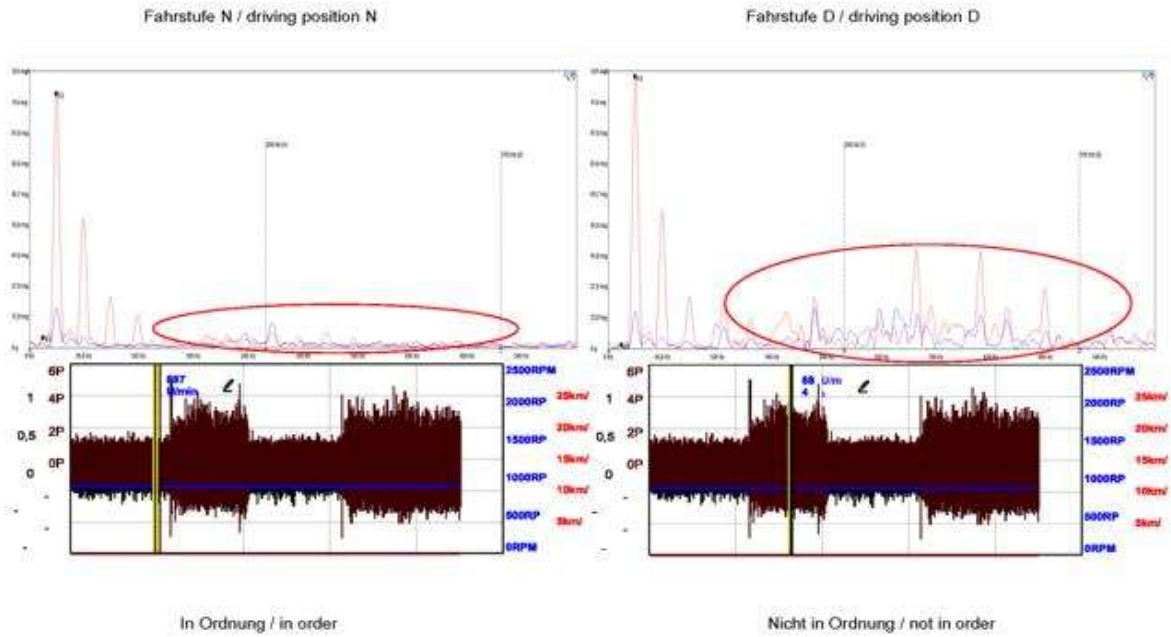


Figure 6. Please note the visualization showing a measurement in the attachment (“measurement” and “measurement1”).

Perform a visual inspection of bearing A in cover of dual clutch

- To do so, remove the oil seal on bearing A (figure 7 -> marked in red) of the dual clutch that was removed.

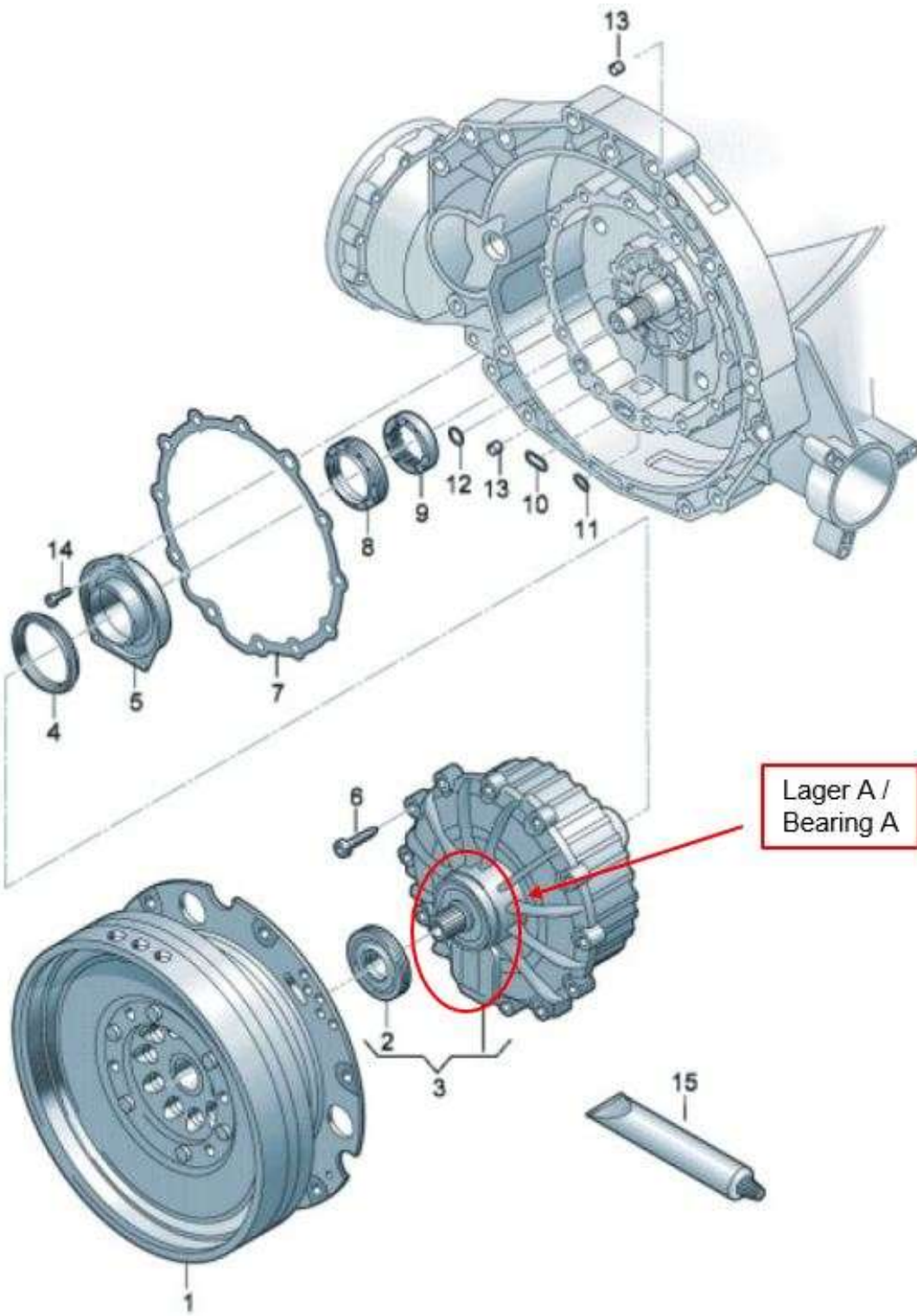


Figure 7. Bearing A on dual clutch.

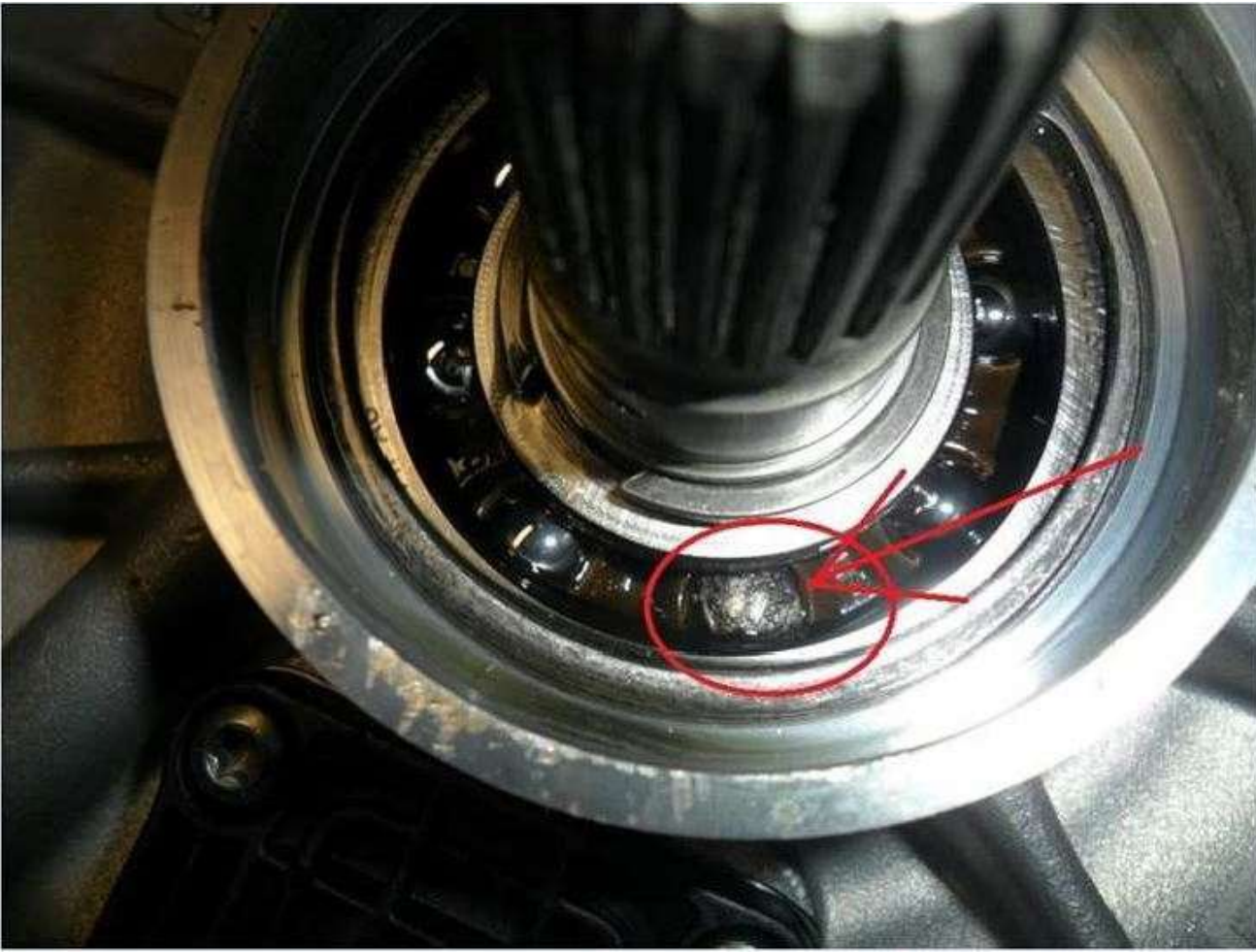


Figure 8. Bearing A circled, with red arrow.

Perform the following measures as described in the Workshop Manual:

1) Decision on repair level that can be performed -> based on repair work required for bearing A:

- Replace bearing A in cover for dual clutch if you find the following functional issue on bearing A:
- Wear can be seen on bearing A and ball cage is still in bearing A (see figure 9).



Figure 9. Bearing A and ball cage.

- Replace the entire dual clutch if you find the following functional issue in the installation space around bearing A:
 - Ball cage no longer in bearing A or irreparable damage to ball cage -> ball guidance no longer provided (see figures 10 and 11).



Figure 10. Damage is irreparable.



Figure 11. Damage is irreparable.

2) Further repair steps:

- Replace the high-pressure filter, the low-pressure filter and the intake filter.

- After removing the filter, thoroughly **clean** the valve body in this area and **avoid** getting it dirty.
- Replace the permanent magnets in the gearbox oil pan.
- Also replace the ATF.

After completing the measures, carry out the following basic settings of the gearbox in the order listed here:

- Calibration of clutch valves -N215,-N216
- Calibration of movement sensors -G487...G490
- Clutch engagement point adaptation



Do not delete any learnt values for the gearbox!

Do not complete the test plans of the Guided Fault Finding for:

Replacing gearbox; replacing mechatronic unit; and/or replacing valve body.

Do not update the gearbox software as part of this measure.



If the documentation of the test steps is incomplete (e.g. without photos), the warranty claim may be rejected.



A technical repair query is not necessary.

Warranty

Claim Type:	<ul style="list-style-type: none"> • If the vehicle is outside of any warranty, this Technical Service Bulletin is informational only.
	<u>If the dual clutch is being replaced, use the following combination:</u>
Service Number:	3060
Damage Code:	0010
	<u>If bearing A in the cover for the dual clutch is being replaced, use the following combination:</u>
Service Number:	3059

Damage Code:	0015		
Labor Operations:	Remove and install gearbox	3435 19xx	See SRT with associated operations
	Remove and install multiple clutch	3060 19xx	See SRT with associated operations
	Replace input shaft bearing	3545 5599	Please bill according to the time required
	Replace (all) oil filters (includes remove, install, and clean mechatronic unit)	3488 5599	190 TU
	Gearbox oil pan (replace magnet)	3460 5599	10 TU
	Check bearing (take photo of bearing)	3546 0199	10 TU
	Set-up time for noise analysis tool	0161 0000	See SRT with associated operations
	GFF/Guided Function	0150 0060	Labor according to the diagnostic log
	Charge battery	2706 8950	See SRT with associated operations
Claim Comment:	As per TSB 2074806/5		

All warranty claims submitted for payment must be in accordance with the *Audi Warranty Policies and Procedures Manual*. Claims are subject to review or audit by Audi Warranty.

Please observe the information in the repair operations list on which repair operations must be carried out beforehand, which are included and which must be carried out afterwards if necessary.

Additional Information

All part and service references provided in this TSB (**2074806**) are subject to change and/or removal. Always check with your Parts Department and/or ETKA for the latest information and parts bulletins. Please check the Repair Manual for fasteners, bolts, nuts, and screws that require replacement during the repair.

©2026 Audi of America, LLC / Audi Canada Inc. All rights reserved. The information contained in this document is based on the latest information available at the time of printing and is subject to the copyright and other intellectual property rights of Audi of America, LLC / Audi Canada Inc., its affiliated companies, and its licensors. All rights are reserved to make changes at any time without notice. No part of this document may be reproduced, stored in a retrieval system, or transmitted in any form or by any means, electronic, mechanical, photocopying, recording, or otherwise, nor may these materials be modified or reposted to other sites, without the prior expressed written permission of the publisher.