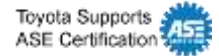


2026 Corolla, Corolla Hatchback, and Corolla HV Pre-Delivery Service (PDS)

Service Category General

Section Pre-Delivery Service

Market USA



Applicability

YEAR(S)	MODEL(S)	ADDITIONAL INFORMATION
2026	Corolla, Corolla Hatchback, Corolla HV	

REVISION NOTICE

May 8, 2026 Rev1:

- The Introduction, Required Tools & Equipment, and D/C Cut Fuse Installation sections have been updated.
- The Customize ACC Function section has been removed.

Any previous printed versions of this bulletin should be discarded.

Introduction

Pre-Delivery Service (PDS) is a critical step in satisfying our new car customers. Customer feedback indicates the following areas deserve special attention when performing PDS:

- Careful inspection for paint chips/scratches and body dents/dings.
- Proper operation of electrical accessories (including interior light, clock, and radio reset).
- Interior cleanliness.
- Proper function of mechanical systems.

The PDS process helps identify potential vehicle concerns before customer delivery. After completing the PDS process, maintain accurate PDS records by ensuring the required documents listed below are completed and recorded in accordance with Toyota Warranty Policy.

- GTS+ Health Check
- Completed PDS Check Sheet
- Battery Charge Test Print Out
- GTS+ Tire Pressure Information

2026 Corolla, Corolla Hatchback, and Corolla HV Pre-Delivery Service (PDS)

Introduction (continued)

Customer retention and proper maintenance of vehicles are and have always been a major focus for Toyota. To help remind customers that regular service is essential to the proper maintenance of the vehicle, dealers are required to install a service reminder sticker before delivery. By doing this, customers will be reminded to return to your dealership for service. Your current service reminder sticker may be used. (See PDS *Check Sheet* item 7 of “Final Inspection and Cleaning.”)

This bulletin contains the PDS procedures that apply specifically to 2026 model year Corolla, Corolla Hatchback, and Corolla Hybrid vehicles.

Refer to [T-SB-0023-25](#), the universal *Check Sheet* that contains PDS steps that apply to all 2026 model year Toyota vehicles. To properly perform a complete PDS, you must complete all procedures contained in this TSB as well as the universal PDS *Check Sheet*. In addition, if the vehicle is stored for over 30 days, refer to [T-SB-0002-26](#), *Long-Term Vehicle Storage Guidelines*.

Refer to the table below for a definition of terms that may be used in this bulletin.

Table 1.

TERM	ACRONYM	DEFINITION
Conventional Vehicle	CV	A vehicle with only a gasoline engine for propulsion
Electrified Vehicle	EV	A vehicle that utilizes a hybrid, plug-in hybrid, fuel cell, or battery electric system for propulsion
Hybrid Electric Vehicle	HEV	A vehicle with both a gasoline engine and an HV Battery
Plug-in Hybrid Electric Vehicle	PHEV	A vehicle with both a gasoline engine and an HV Battery that can be charged externally
Battery Electric Vehicle	BEV	A vehicle with only a HV Battery that can be charged externally
Fuel Cell Electric Vehicle	FCEV	A vehicle with both a hydrogen fuel cell and an HV Battery
State of Charge	SOC	The remaining capacity available in a battery
12-Volt	12V	Standard 12V battery used to power electrical systems separate from high voltage components
High Voltage	HV	HV Battery used to power the electrified vehicle

2026 Corolla, Corolla Hatchback, and Corolla HV Pre-Delivery Service (PDS)

Table of Contents

- [Warranty Policy](#)..... 4
- [Warranty Information](#) 4
- [Required Tools & Equipment](#) 4
- [D/C Cut Fuse Installation](#)..... 5
- [Front License Plate and Mounting Bracket Installation](#)* 6
- [Front and Rear Emergency Towing Eyelet Removal](#)* 8
- [Front and Rear Emergency Towing Eyelet Hole Cover Installation](#)* 10
- [Installation of Rubber Body Plugs](#) 12
- [Tire Pressure Warning System \(TPWS\) Initialization](#) 13
- [Head Unit System Reset](#) 13
- [Dealer Contact Information for Call Dealer Head Unit Function](#)* 13
- [Navigation — Set Date & Time by GPS](#)..... 14

*If applicable.

2026 Corolla, Corolla Hatchback, and Corolla HV Pre-Delivery Service (PDS)

Warranty Policy

If the need for additional repairs or adjustment is noted during PDS, the required service should be performed under warranty. Reimbursement will be managed under the warranty policy.

The Warranty Policy and Procedures Manual requires that you maintain the completed Check Sheet in the customer's file. If you cannot produce a completed form for each retailed vehicle upon TMS and/or Region/Distributor audit, the PDS payment amount will be subject to debit.

An additional Repair Order completed in conjunction with normal PDS MUST have time punch/flags for service. If multiple repairs are performed, separate time flags MUST be punched for each repair.

Warranty Information

OP CODE	DESCRIPTION	MODEL	TIME	OFF	T1	T2
001013	Pre-Delivery Service (PDS)	Corolla	1.0	-	-	-
		Corolla Hatchback				
		Corolla HV	1.4			

Required Tools & Equipment

REQUIRED EQUIPMENT	SUPPLIER	PART NUMBER	QTY
Techstream ADVi*	ADE	TSADVUNITECP	1
Techstream Lite		TSLP3DLR01	
Techstream Lite (Green Cable)		TSLP2DLR01	

*Essential SST.

NOTE

- Only ONE of the Techstream units listed above is required.
- GTS+ software version 2026.01.003.02 or later is required.
- Additional Techstream units may be ordered by calling Approved Dealer Equipment (ADE) at 1-800-368-6787 or by visiting *TIS – Diagnostics – Tools & Equipment – Techstream Order Portal*.

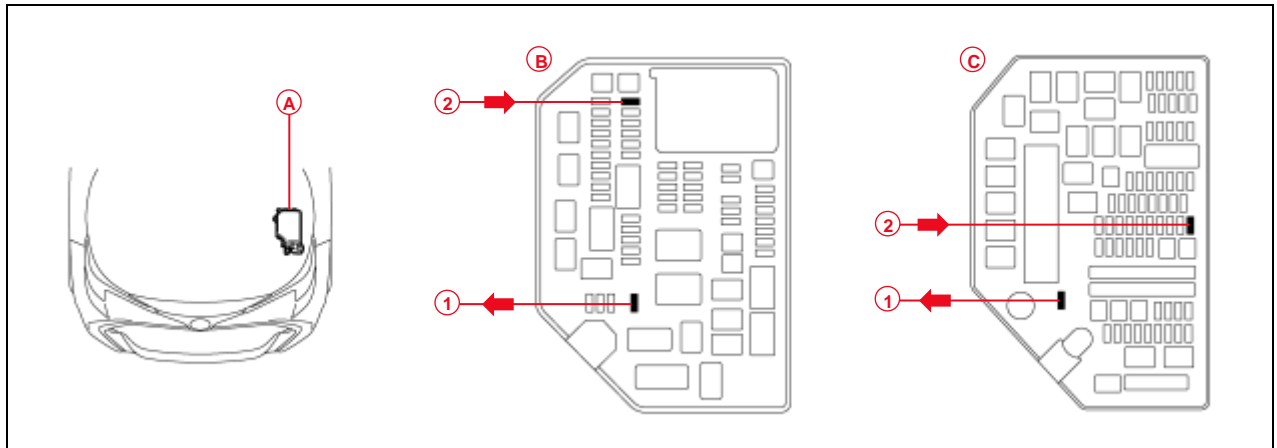
2026 Corolla, Corolla Hatchback, and Corolla HV Pre-Delivery Service (PDS)

D/C Cut Fuse Installation

Check the location of the D/C Cut fuse (30A). It may have been removed at the assembly plant and temporarily stored in the blank space of the relay block in the engine compartment to minimize battery discharge during transportation and storage.

- If the D/C Cut fuse (30A) is still in its original location in the relay block, proceed with performing a Health Check using GTS+.
- If the D/C Cut fuse (30A) is NOT in its original location, it is necessary to remove the D/C Cut fuse (30A) from the blank space in the relay block and reinstall it to its original location as shown. After installation, confirm ALL related DTCs are cleared.

Figure 1.



A	Relay Block
B	Gasoline Vehicles
C	Hybrid Vehicles

1	Remove the D/C Cut Fuse (30A) (Blank Space)
2	Install the D/C Cut Fuse (30A) (Original Location)

NOTE

- With the D/C Cut fuse (30A) removed, if ANY DTCs are detected when the ignition is turned ON during transportation, use GTS+ to clear ALL DTCs AFTER ensuring that there are NO malfunctions.
- While the vehicle is stored at the dealership, disconnect the negative (-) battery terminal to prevent battery discharge. Refer to [T-SB-0005-26](#), *Battery Inspection and Maintenance During PDS*, for battery maintenance information.

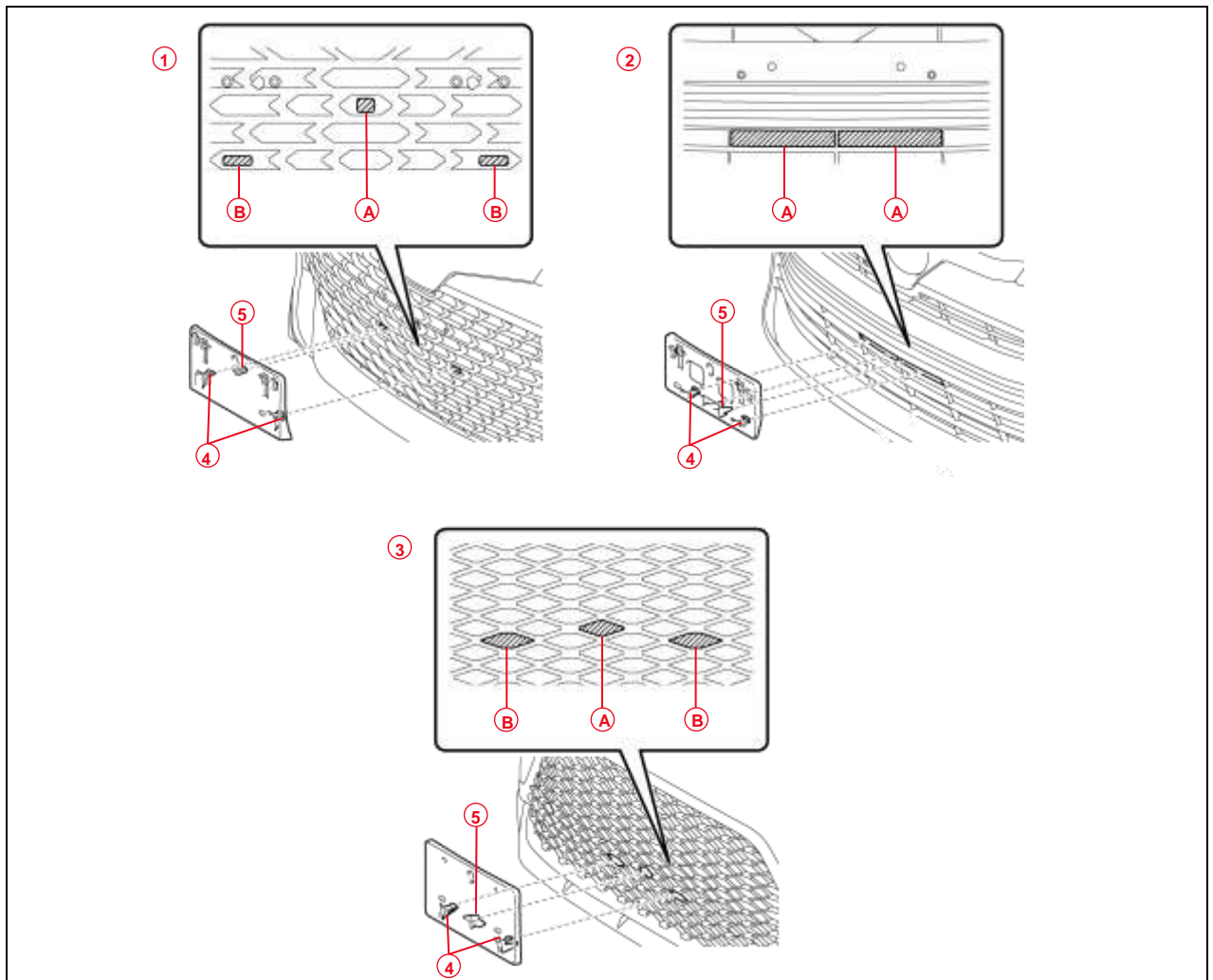
2026 Corolla, Corolla Hatchback, and Corolla HV Pre-Delivery Service (PDS)

Front License Plate and Mounting Bracket Installation

The front license plate mounting bracket and two self-tapping screws are loaded in the luggage compartment at the assembly plant. Follow this procedure to install the front license plate mounting bracket and front license plate in states where it is required by law.

1. Install the bracket rib into area “A” of the grille and the bracket clips into area “B.”
2. Press the front license plate bracket onto the grille until the clips engage.
3. Align the holes on the front license plate bracket with the dimples on the front of the grille.

Figure 2.



1	Type A
2	Type B
3	Type C
A	Area A

B	Area B
4	Snap Fit
5	Rib

2026 Corolla, Corolla Hatchback, and Corolla HV Pre-Delivery Service (PDS)

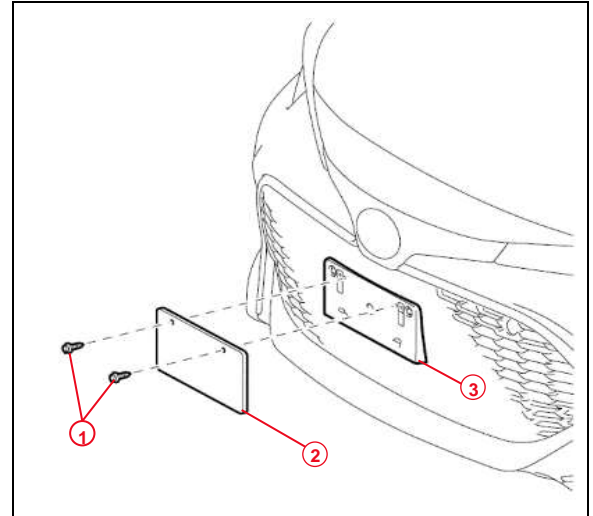
Front License Plate and Mounting Bracket Installation (continued)

4. Install two self-tapping screws through the holes on the front license plate, bracket, and lower grille.

NOTICE

- Do NOT pre-drill holes into the bumper.
- Do NOT overtighten the self-tapping screws.

Figure 3.



1	Self-tapping Screws
2	License Plate
3	Mounting Bracket

2026 Corolla, Corolla Hatchback, and Corolla HV Pre-Delivery Service (PDS)

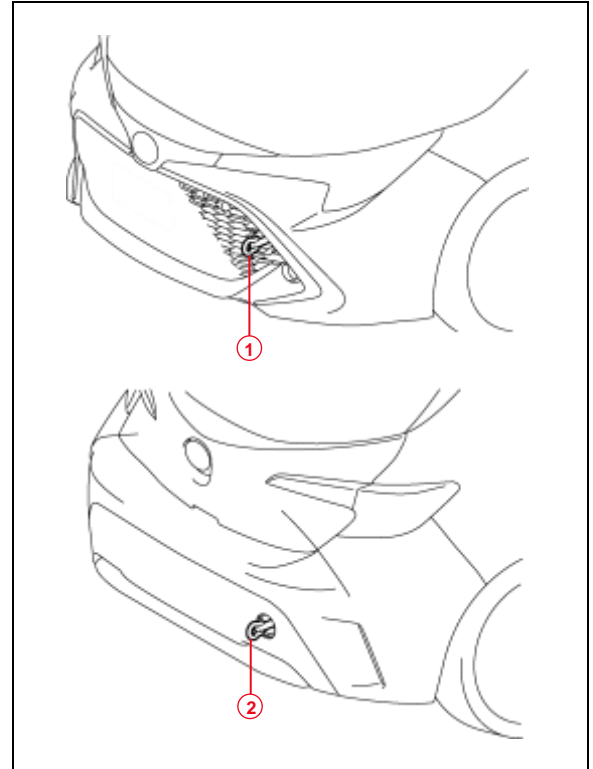
Front and Rear Emergency Towing Eyelet Removal (For Japan Built Units)

1. If installed, remove the front and rear emergency towing eyelets from the front and rear bumpers by turning them counterclockwise.

NOTE

If it is difficult to loosen the emergency towing eyelets, use a steel bar.

Figure 4.



1	Front Emergency Towing Eyelet
2	Rear Emergency Towing Eyelet

2026 Corolla, Corolla Hatchback, and Corolla HV Pre-Delivery Service (PDS)

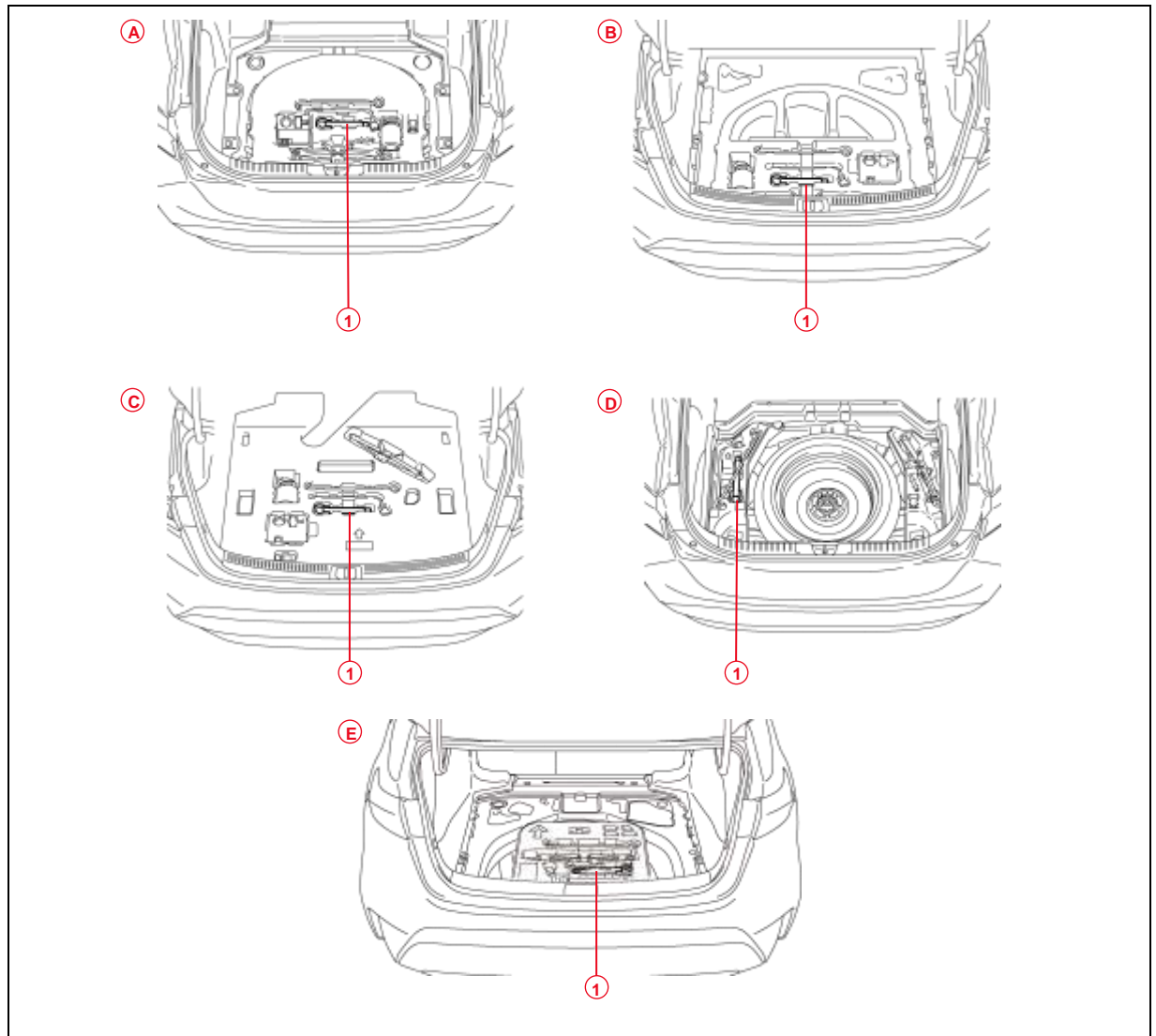
Front and Rear Emergency Towing Eyelet Removal (For Japan Built Units) (continued)

- Place one of the removed emergency towing eyelets into the luggage tray in the luggage compartment.

NOTE

Dispose of the other removed emergency towing eyelet.

Figure 5.



A	Type A
B	Type B
C	Type C

D	Type D
E	Type E
1	Emergency Towing Eyelet

2026 Corolla, Corolla Hatchback, and Corolla HV Pre-Delivery Service (PDS)

Front and Rear Emergency Towing Eyelet Hole Cover Installation (For Japan Built Units)

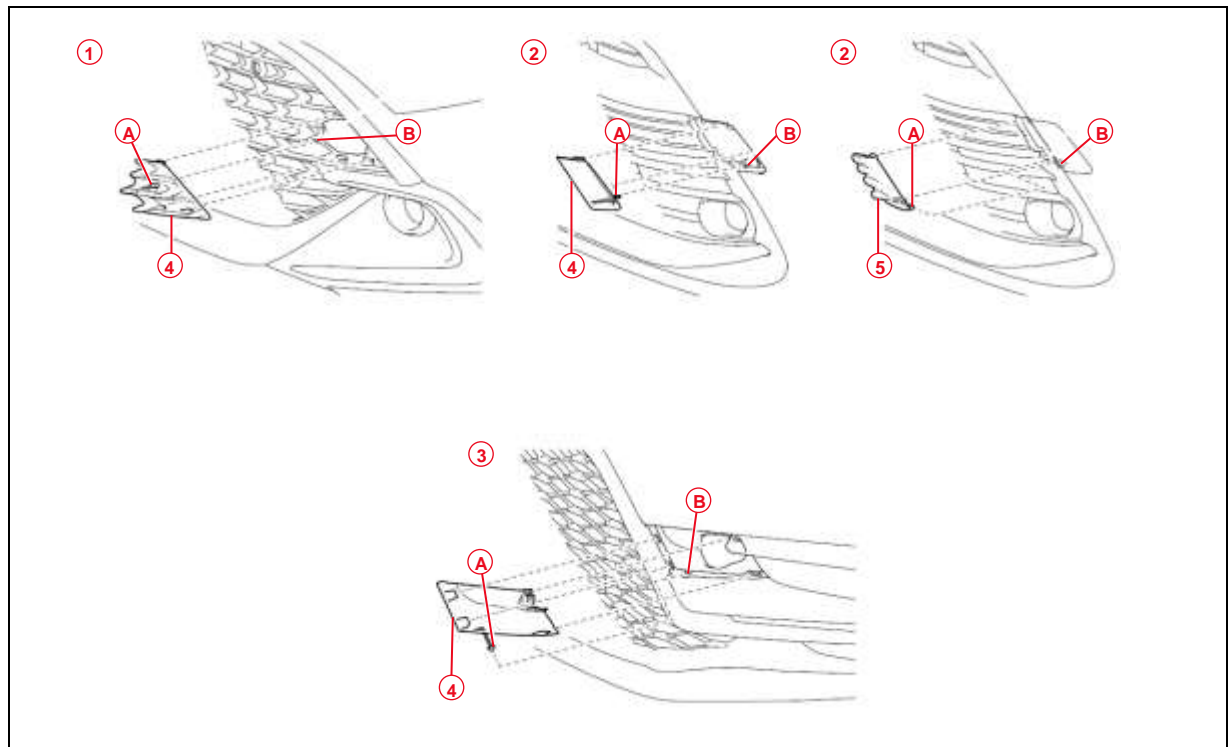
If not already installed, install the front and rear emergency towing eyelet hole covers stored in the glove box on the front and rear bumpers.

1. Insert the arrow-shaped part of the emergency towing eyelet hole cover No. 1 "A" into the eyelet hole "B" as shown.
2. Install the front emergency towing eyelet hole cover No. 1 to the hole of the bumper.
3. Insert the arrow-shaped part of the emergency towing eyelet hole cover No. 2 "A" into the eyelet hole "B" as shown (if equipped).
4. Install the emergency towing eyelet hole cover No. 2 to the hole of the bumper (if equipped).

NOTE

Make sure the front emergency towing eyelet cover is installed in the front, and the rear emergency towing eyelet cover is installed in the rear.

Figure 6. Front Emergency Towing Eyelet Hole Cover Installation



1	Type A
2	Type B
3	Type C
4	Front Emergency Towing Eyelet Hole Cover No. 1

5	Front Emergency Towing Eyelet Hole Cover No. 2 (if equipped)
A	Arrow-shaped Part
B	Eyelet Hole

2026 Corolla, Corolla Hatchback, and Corolla HV Pre-Delivery Service (PDS)

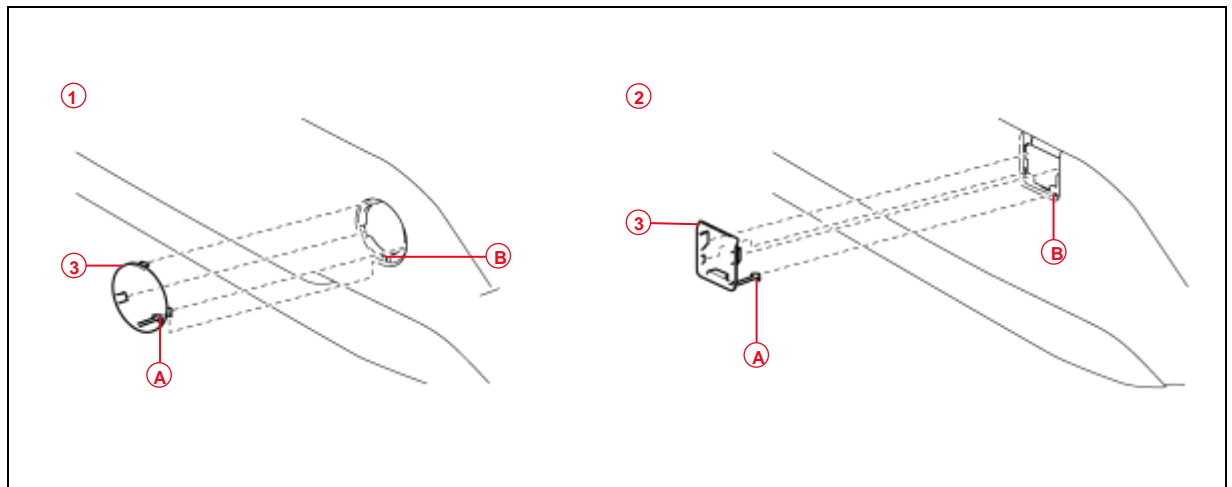
Front and Rear Emergency Towing Eyelet Hole Cover Installation (For Japan Built Units) (continued)

5. Insert the arrow-shaped part of the emergency towing eyelet hole cover “A” into the eyelet hole “B” as shown.
6. Install the emergency towing eyelet hole cover to the hole of the bumper.

NOTE

Make sure the front emergency towing eyelet cover is installed in the front, and the rear emergency towing eyelet cover is installed in the rear.

Figure 7. Rear Emergency Towing Eyelet Hole Cover Installation



1	Type A
2	Type B
3	Rear Emergency Towing Eyelet Hole Cover

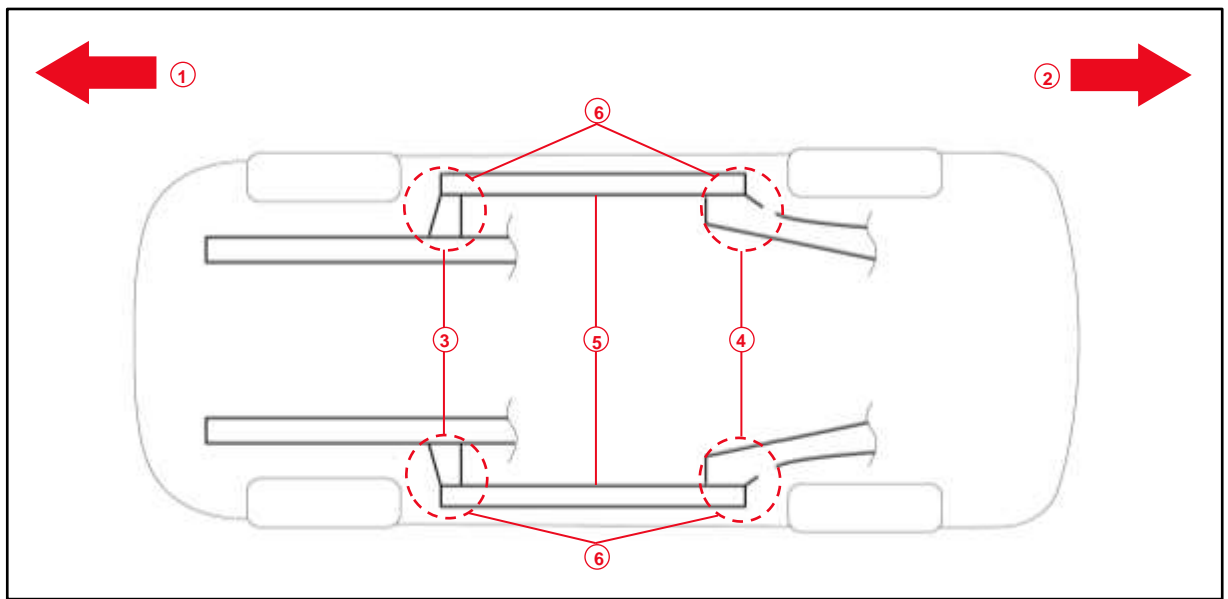
A	Arrow-shaped Part
B	Eyelet Hole

2026 Corolla, Corolla Hatchback, and Corolla HV Pre-Delivery Service (PDS)

Installation of Rubber Body Plugs

1. Confirm the number of plugs in the glove box. If two plugs are present, perform substep 2A ONLY. If four plugs are present, perform substep 2A AND substep 2B.
2. Install plugs according to the instructions below by confirming the number of plugs in the glove box.
 - A. Install two plugs in the rear side member hole or rocker inner hole as shown.
 - B. Install two plugs in the torque box hole or rocker inner hole as shown.

Figure 8.



1	Front Side
2	Rear Side
3	Torque Box Hole or Rocker Inner Hole

4	Rear Side Member Hole or Rocker Inner Hole
5	Rocker Inner
6	Install Plug Here (if Applicable)

NOTICE

- The installation of these plugs is required to prevent rust.
- These plugs are stored in the glove box.
- The number of plugs may vary according to production locations in the same vehicle model.

2026 Corolla, Corolla Hatchback, and Corolla HV Pre-Delivery Service (PDS)

Tire Pressure Warning System (TPWS) Initialization

Refer to the applicable Repair Manual for the TPWS initialization procedure.

- [2026](#) Corolla and Corolla Hatchback:
*Suspension – Tire Pressure Monitoring –
Tire Pressure Warning System (for Gasoline Model (for Type B)) – Initialization*
- [2026](#) Corolla HV:
*Suspension – Tire Pressure Monitoring –
Tire Pressure Warning System (for HV Model) – Initialization*

NOTE

- To adjust the tire pressure correctly when the outside temperature is significantly colder than shop temperature, perform a Health Check using GTS+ and select the compensation tire pressure checkbox. Compensation pressures will display on the Health Check results screen. Adjust the tire pressure when the tires are cold.
- This model has four TPWS sensors.

Head Unit System Reset

Prior to vehicle delivery, confirm that the welcome screen with language options appears on the head unit display when ignition is switched to the ON position. There may be instances where the welcome screen with language options may not properly appear on the head unit display.

If the welcome screen showing language options is not displayed, complete the following steps:

1. Select the Settings option (gear icon).
2. Scroll down and select the Info & Security option.
3. The System Reset dialogue box will appear. Select Reset to confirm the resetting of the system.
4. Confirm that the welcome screen with language options is now displayed.

2026 Corolla, Corolla Hatchback, and Corolla HV Pre-Delivery Service (PDS)

Dealer Contact Information for Call Dealer Head Unit Function (Premium Audio Only)

Refer to the *Multimedia System Owner's Manual* to add dealer contact information.

- [2026](#) Corolla and Corolla HV:
Section 2-9 *Vehicle Settings – Setting Dealer Information*
- [2026](#) Corolla Hatchback:
Section 2-9 *Vehicle Settings – Setting Dealer Information*

Navigation — Set Date & Time by GPS (Premium Audio Only)

Prior to vehicle delivery, it is necessary to turn the Set date & time by GPS setting to the ON position.

1. Turn the engine switch (power switch) to the ON position (ON mode).
2. Navigate the following menus in the head unit: *Settings – General – Date & Time – Set Date & Time by GPS*.
3. Ensure the Set date & time by GPS function is set to the ON position.