


Title:	MCC Roof Top Condenser Brackets			
Number:	PB_752	Release Date:	05/12/2026	
Revision Number:	Not Applicable	Revision Date:	Not Applicable	
Chassis Type:	Any Chassis w/ MCC Roof Mounted Condenser			
Component Description:	Condenser mounting brackets			
Parts:	DS bracket (PN 4602370), PS bracket (PN 4602373), Caulk, Silicone (PN 95-1317), Ref Print (87-1797)			

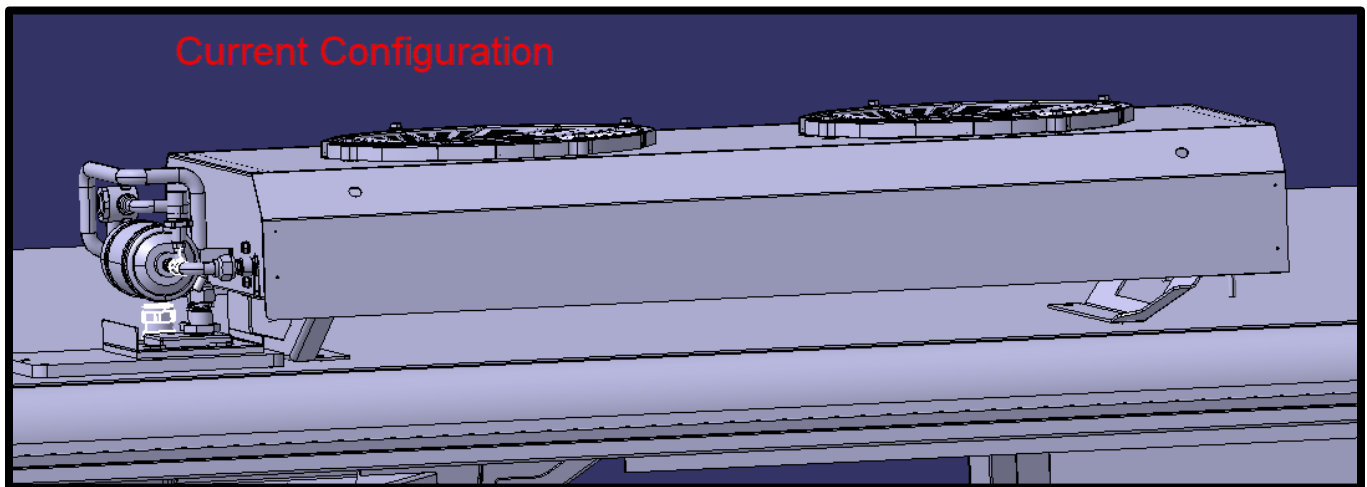
Subject:

Installation instructions for the new MCC roof mounted condenser brackets.

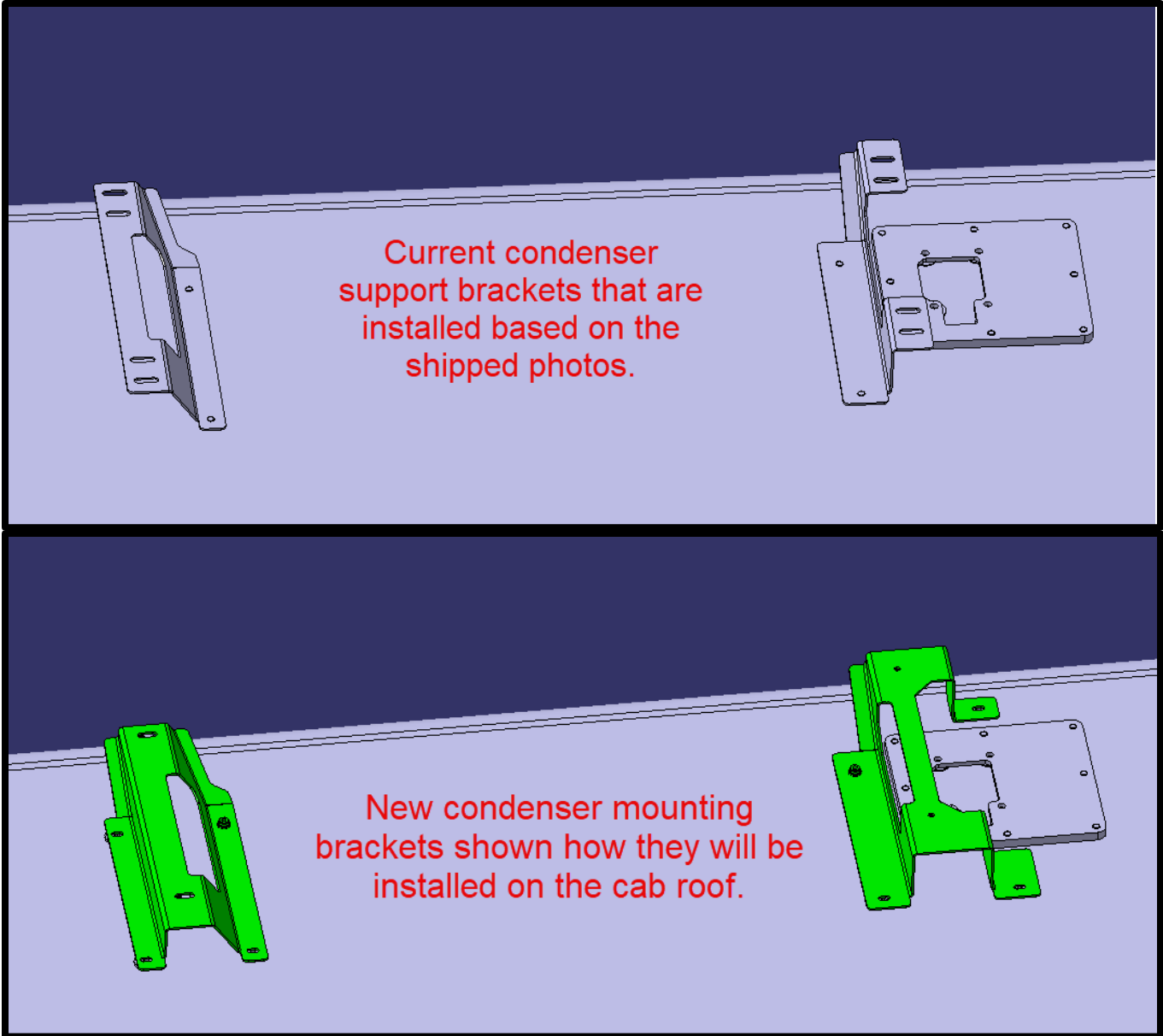
Purpose:

Pierce has created a new style bracket that is more tolerant of stress and vibrations created from driving. This new design will allow for a longer in-service life over the old and reduce maintenance of the condenser and condenser components.

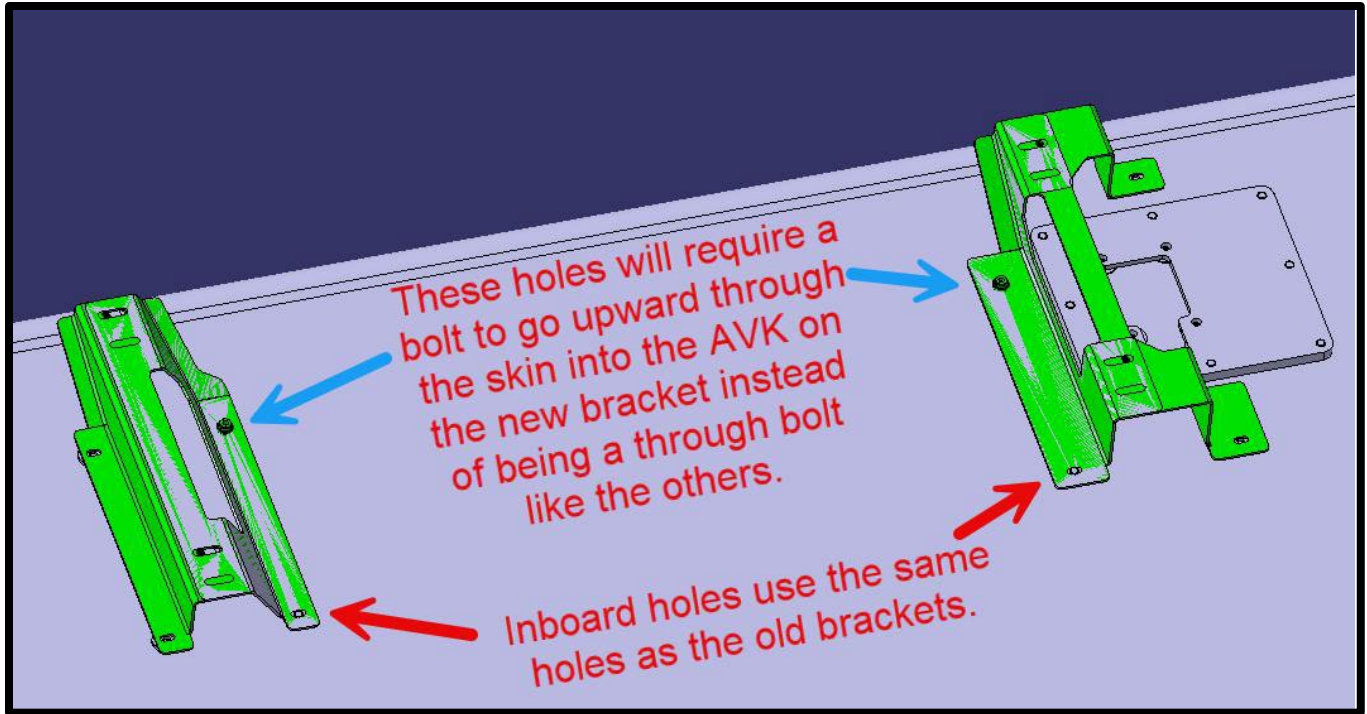
Procedure:



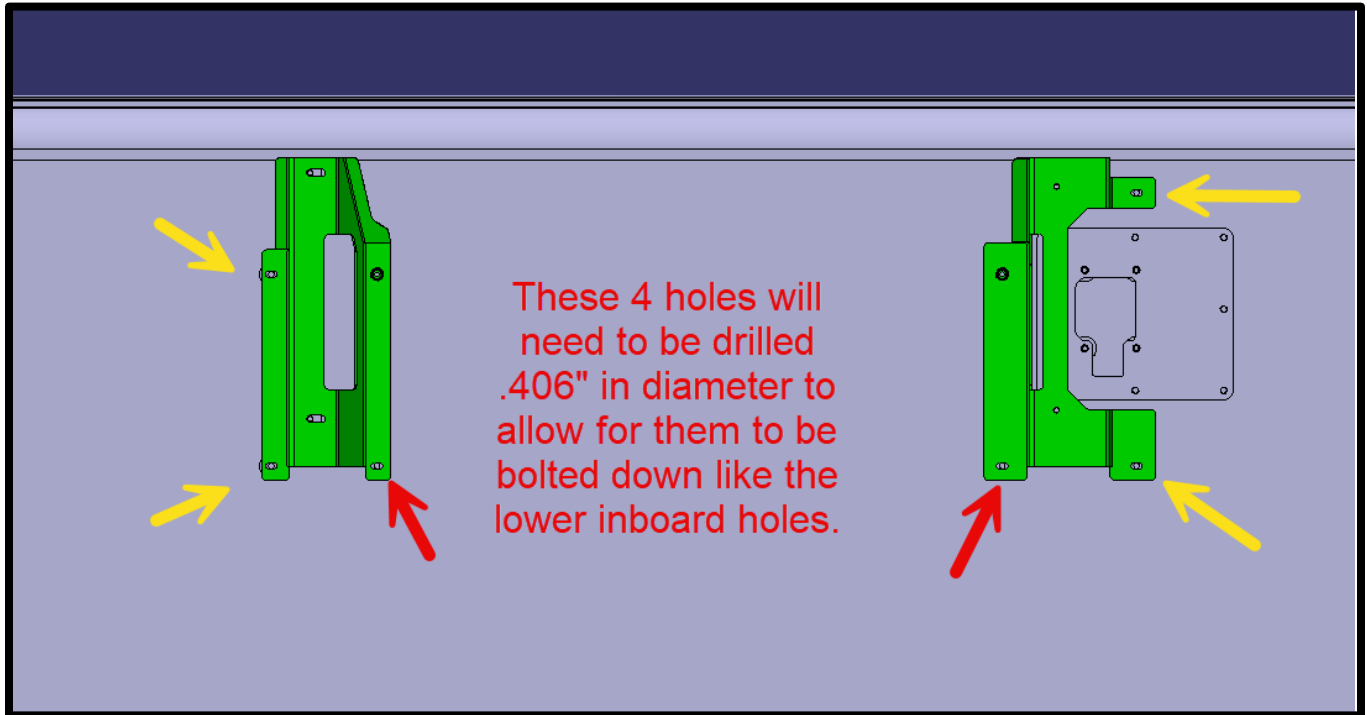
1. Remove condenser from cab roof.



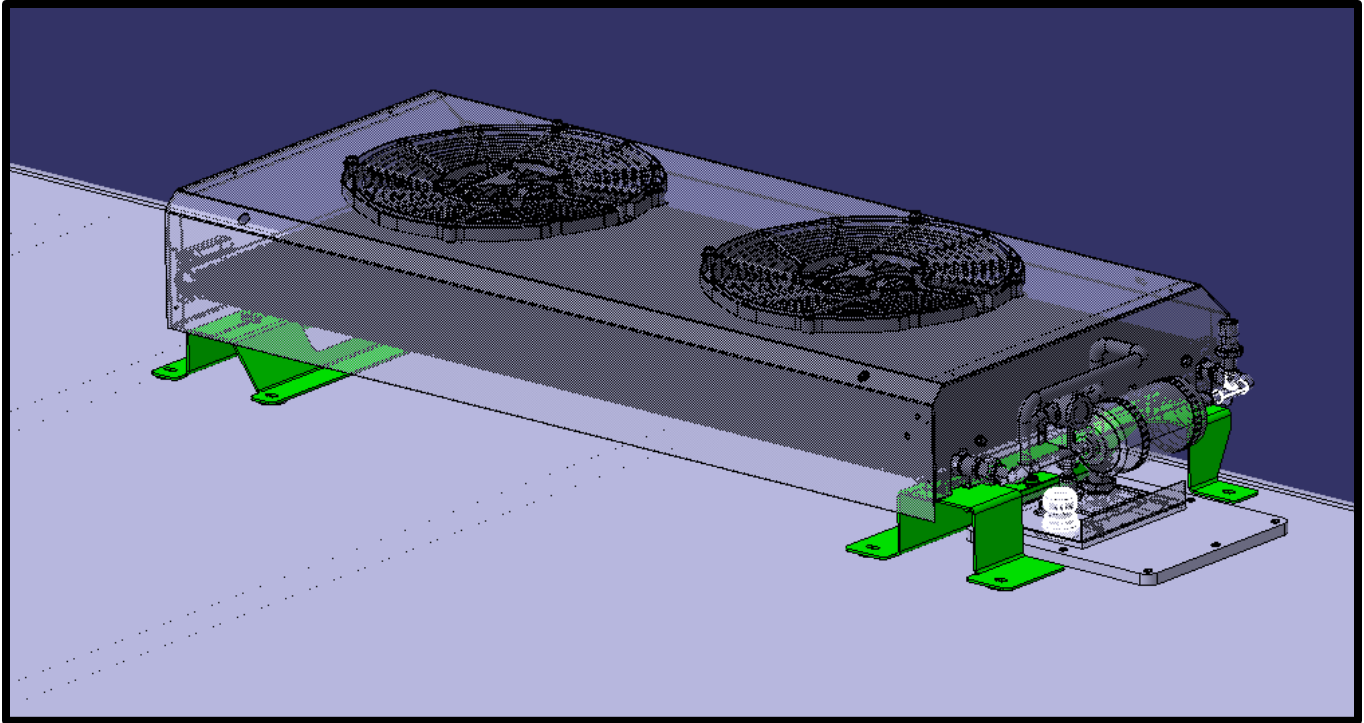
2. Remove old DS and PS condenser brackets. Retain mounting hardware to use for new brackets. Ensure any lockwashers/locknuts are replaced with new hardware.



3. Line up inboard holes of the new brackets with the existing holes in the cab roof skin.



4. Drill the four outboard holes at .406" diameter to allow for the same hardware to be used to install brackets to the roof, similar to the inboard holes on the brackets.



5. Attach new brackets (DS PN 4602370, PS PN 4602373) to condenser.

CAUTION

Ensure caulk is properly applied around the holes on the cab skin and under the headliner to completely encase the bolt and prevent leaks. Failure to comply may result in damage to equipment.

6. Apply caulk (PN 95-1317) around holes on cab skin and under headliner.

NOTE: Screws should be installed bottom up through cab skin to mount condenser.

7. Install condenser on cab roof using original hardware. Ensure any lockwashers/locknuts are replaced with new hardware.

If any additional support is needed, please open a technical support incident on www.pierceparts.com.