

Uncontrolled Copy

ID # CBR-2587

Version 1

Title

Alternator Power Cable Connection - AN (4) - PR - VN (4)

Abstract

The purpose of this cbr is to provide steps on how to protect the alternator power cable connection from corrosion.

Content

Published 28 May 2026

Valid For

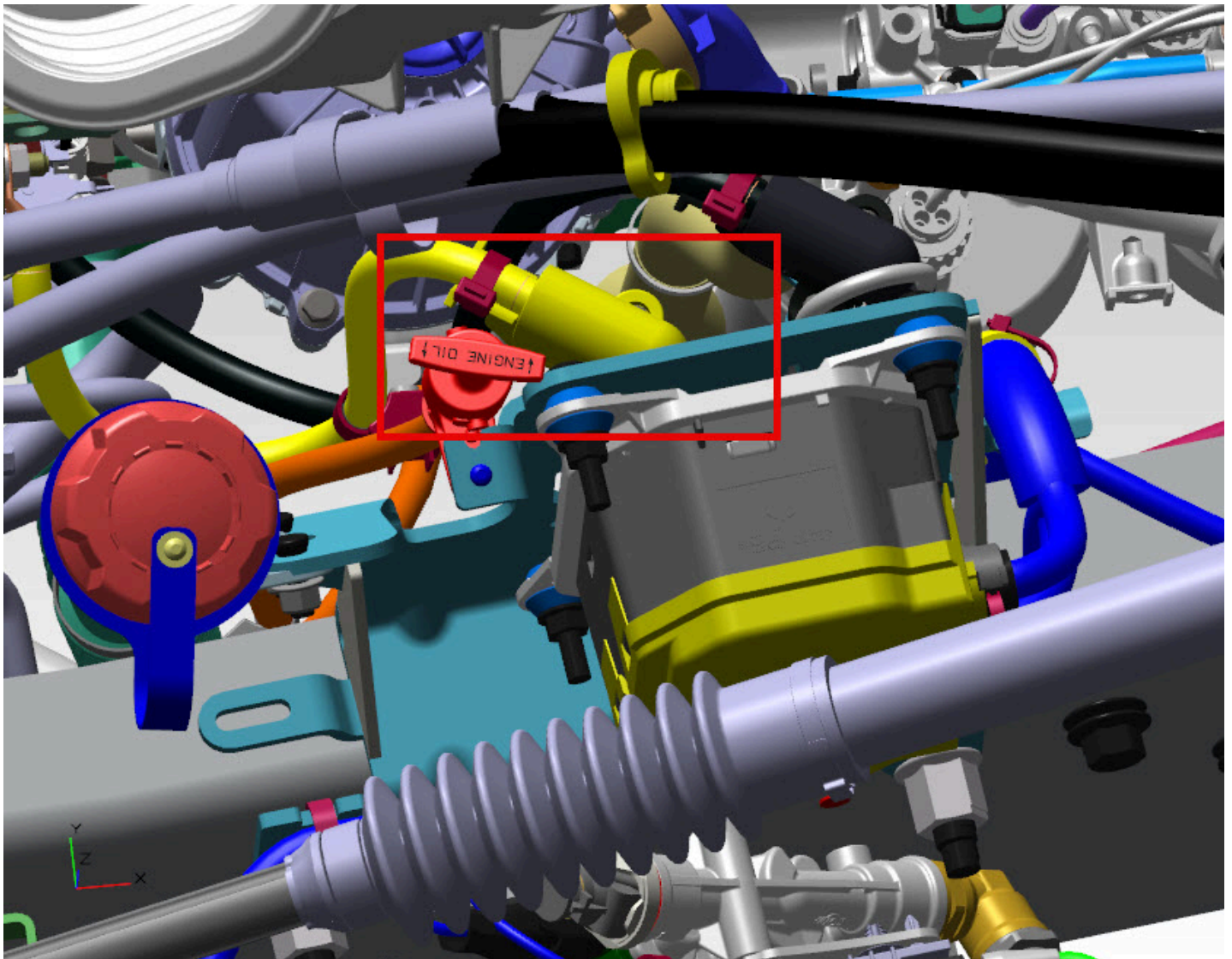
Mack Chassis - AN (4), PR

Volvo Chassis - VN (4)

Model Year - 2024 to Current

The purpose of this cbr is to provide steps on how to protect the alternator power cable connection from corrosion.

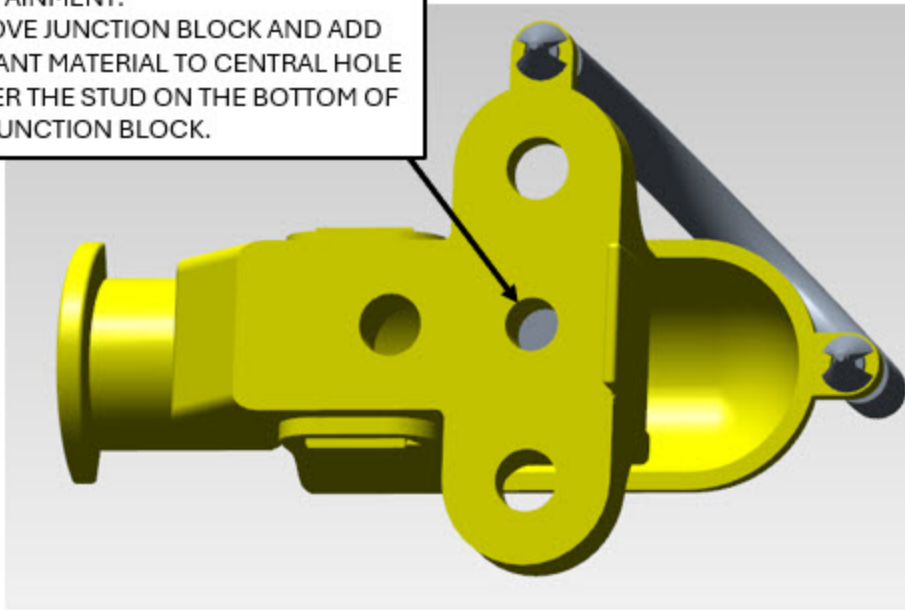
1) Inspect alternator cable (yellow cable) connections for any signs of corrosion. The connection is located behind the **Front Chassis Input Output Module (FCIOM)**. (See picture below)



NOTE: If corrosion is present please clean the connection and alternator cable. If corrosion can not be cleaned out of connection please replace with a new one.

2) Remove connection and fill the bottom hole with a standard non conductive RTV silicone. (see picture below)

CONTAINMENT:
REMOVE JUNCTION BLOCK AND ADD
SEALANT MATERIAL TO CENTRAL HOLE
UNDER THE STUD ON THE BOTTOM OF
THE JUNCTION BLOCK.

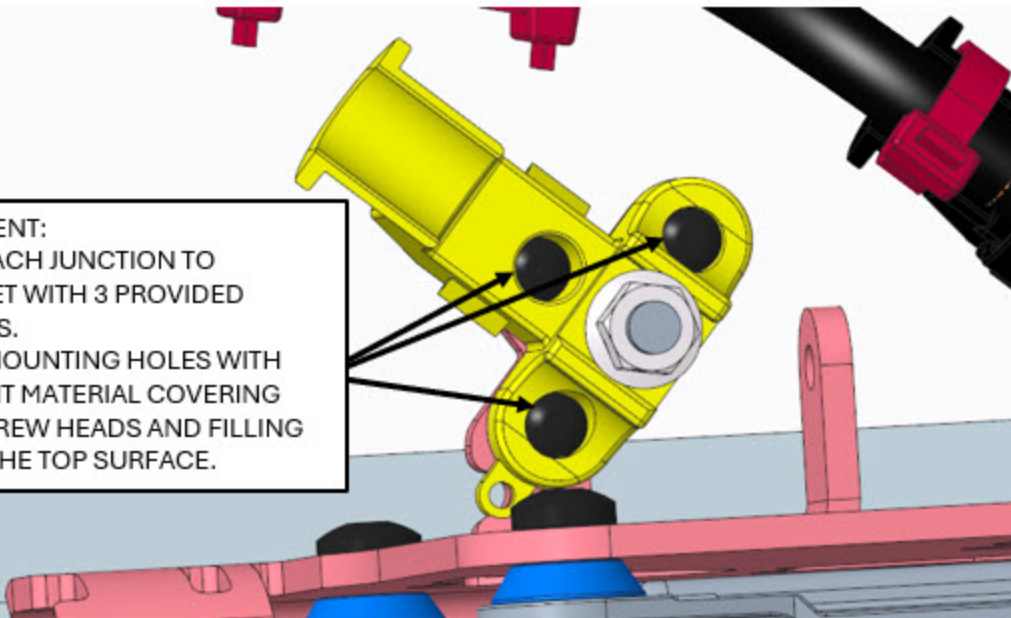


3) Once bottom hole has been filled, install connection on bracket using standard torques and fill the 3 holes shown below with a standard non conductive RTV silicone.

NOTE: Please follow **Electrical Corrosion Protection** document in impact.

CONTAINMENT:
1. RE-ATTACH JUNCTION TO
BRACKET WITH 3 PROVIDED
SCREWS.
2. FILL 3 MOUNTING HOLES WITH
SEALANT MATERIAL COVERING
THE SCREW HEADS AND FILLING
UP TO THE TOP SURFACE.

VOC_ECA:225



4) Once completed return the truck to service.

Tags

alternator

battery

mack

volvo

Categories *

Make and Model > Volvo > VN (4)

Make and Model > Mack > AN (4) - Anthem

Make and Model > Mack > PR - Pioneer



System > Electrical

