

# Uncontrolled Copy

**ID #** CBR-2584

**Version** 4

---

## Title

Electronically controlled suspension (ECS) Calibration Procedure - VN (4) - PR - AN (4)

## Abstract

Currently on the version four chassis, when calibrating ECS, the PTT instructions may be lacking needed information

## Content

Published 7 May 2026

## Valid For

Mack Chassis - AN (4) - PR

Volvo Chassis - VN (4)

Model Year - 2024 to current

Currently on the version four chassis, when calibrating ECS, the PTT instructions may be lacking needed information

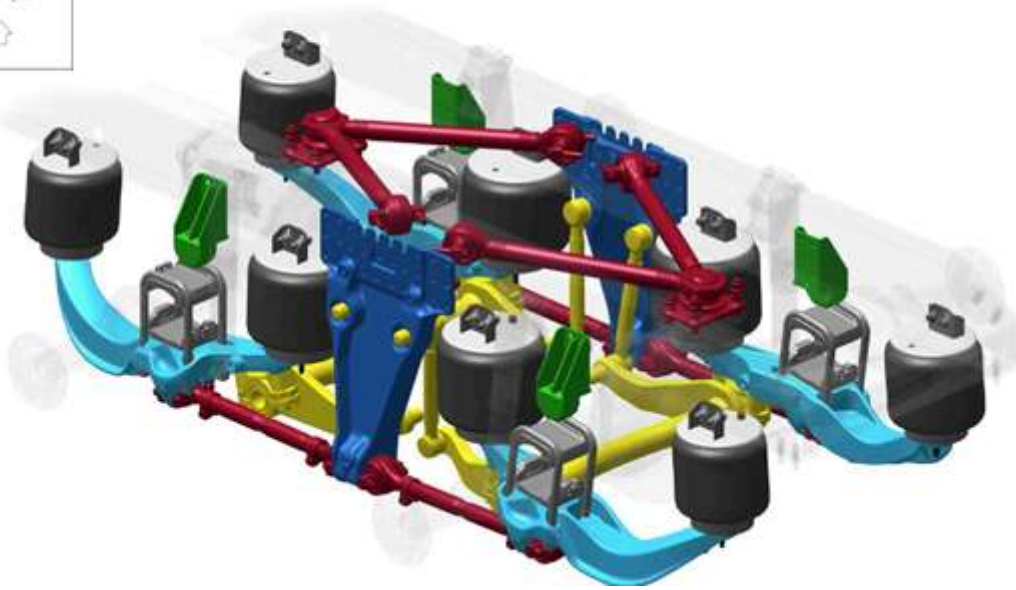
## When running the ECS calibration operation in PTT the following information must be determined and utilized

1. Build date of chassis (See door sticker, IMPACT, or VDA)
2. Suspension type (GRAS or VOAS)
3. Tools needed (Reference special tool bulletin ETO-0501V or ETO-0501M) or reference below

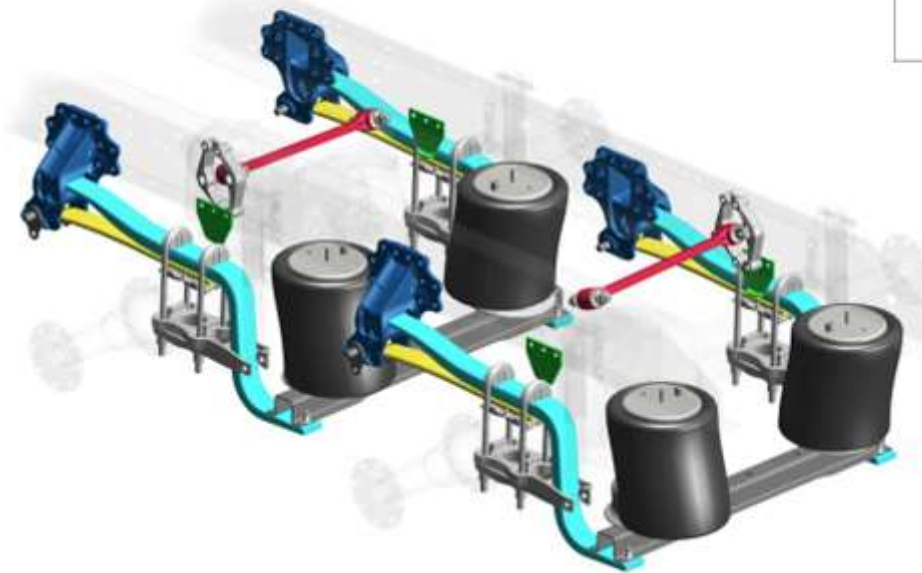
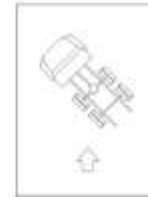
## Determining suspension:



### GRAS 6X4 (Global Rear Air Suspension)



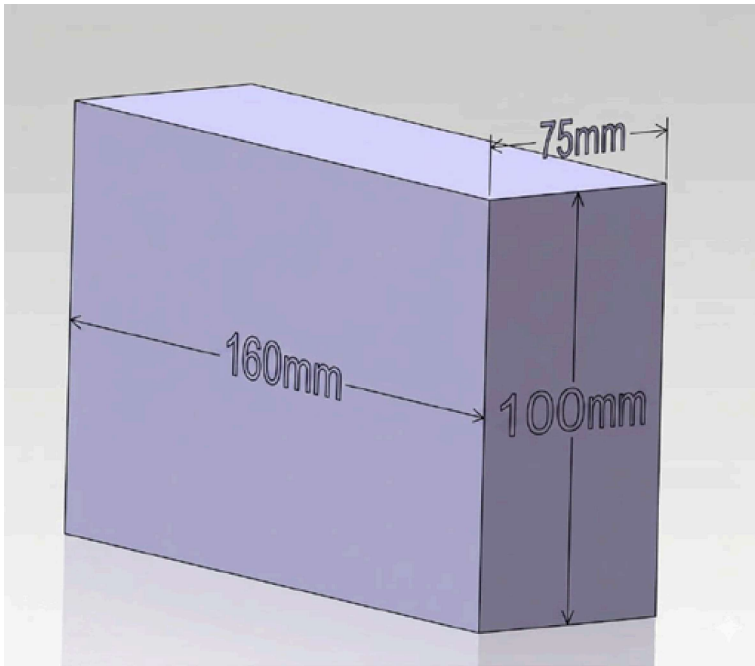
### VOAS 6X4 (Volvo Optimized Air Suspension)



#### Tools utilized as follows:

- ALL GRAS = 160mm tools
- VOAS built BEFORE (week 2547) November 17 2025 = 160mm tools
- VOAS built ON or AFTER (Week 2547) November 17 2025 = 100mm tools

#### Tools to be fabricated at dealer location:



### Application/Correct use of tools:

1. Place on FIRST driven axle, the tool needs to be placed between an unobstructed area between the axle tube and the frame
2. Lower the vehicle frame until it rests on top of the tool. This setup ensures correct vehicle positioning required to perform accurate level sensor calibration
3. Follow PTT operation

### Tags

calibration

ecs

electronically controled suspension

mack

tools

volvo

### Categories \*

Make and Model > Volvo > VN (4)

---

Make and Model > Mack > AN (4) - Anthem

---

Make and Model > Mack > PR - Pioneer

---

Vehicle System > Suspension and Steering