

# Uncontrolled Copy

**ID #** CBR-2373

**Version** 4

## Title

Mack Chassis - Door Adjustment - Model TE

## Abstract

Mack TerraPro door adjustment procedure.

## Content

Published 26 May 2026

## Valid For

Mack Chassis - TE

Model Years - All

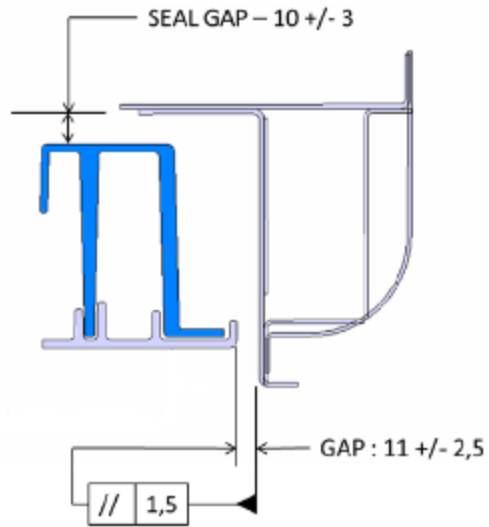
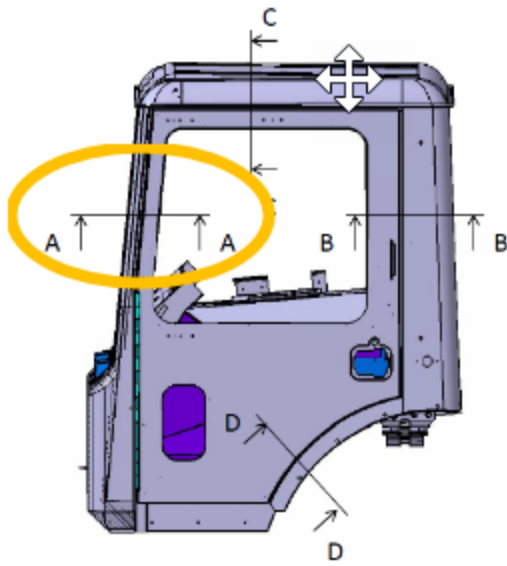
## TerraPro Door Adjustment Procedure

1. Perform a paper pull test in all door corners to determine proper sealing as well as to identify any obstructions. Note or repair any screws, trim not properly installed, or door alignment not allowing it to fit inside the door aperture.
2. Adjust door gap to provided clearances:
  1. Loosen door hinge
  2. Manipulate to desired position to obtain good door sealing
  3. Add or remove shims to achieve proper door gap according to diagram specs.
  4. Tighten hinge
  5. Check alignment according to diagram specs.

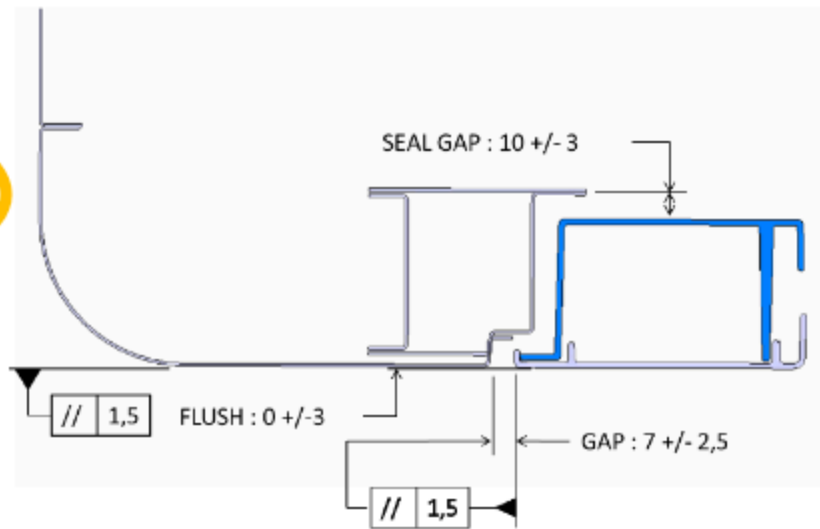
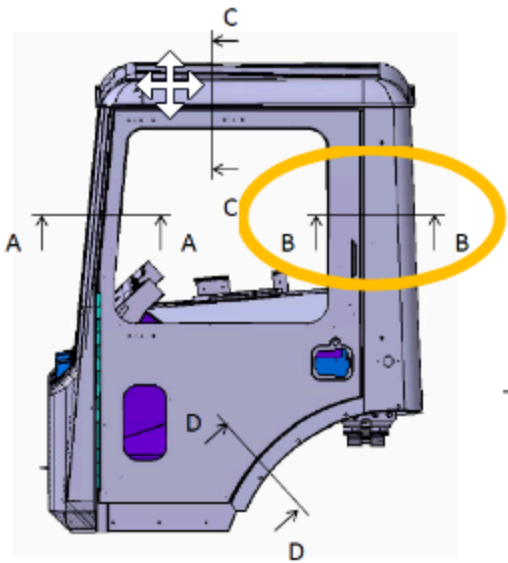
Part Number	Description	QTY
78755095	1 mm Shim	As Needed
24913175	1.5 mm Shim	As Needed

 Live UI

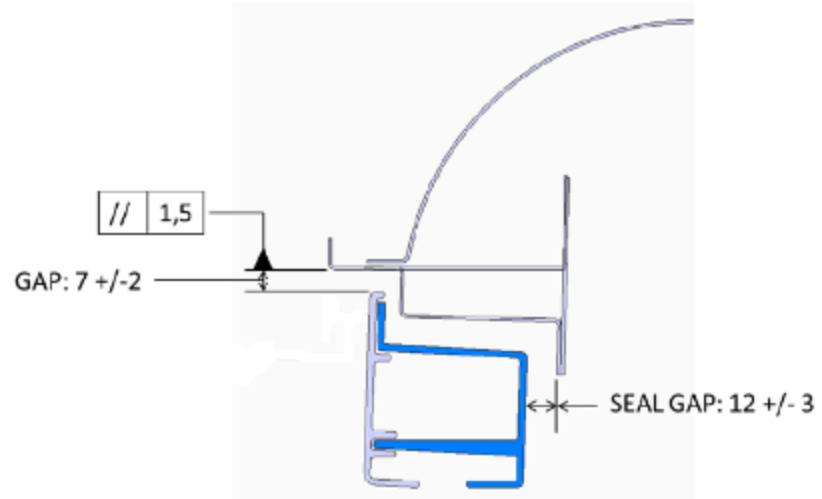
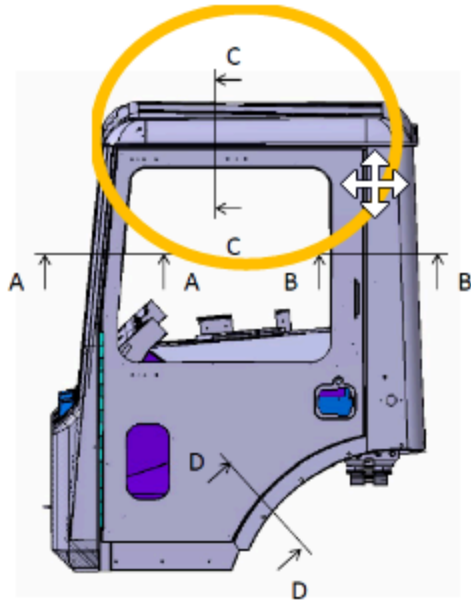
# Section A-A



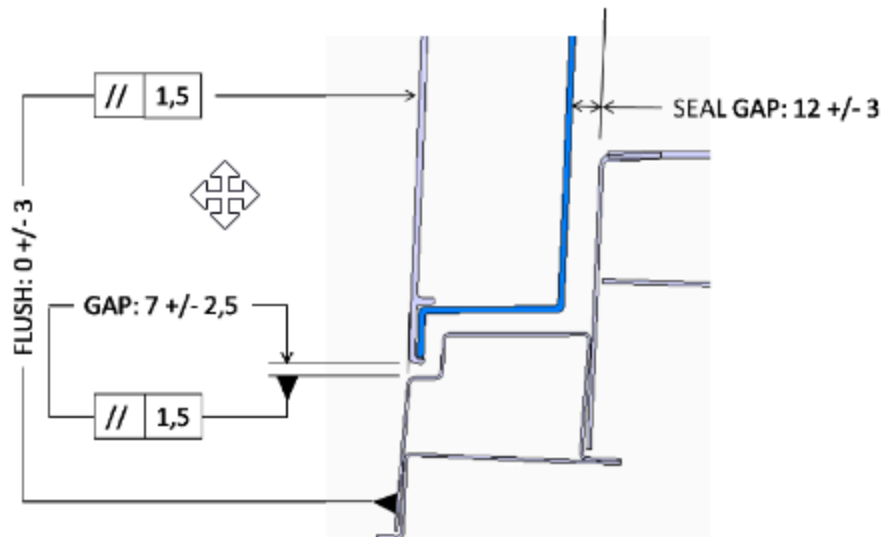
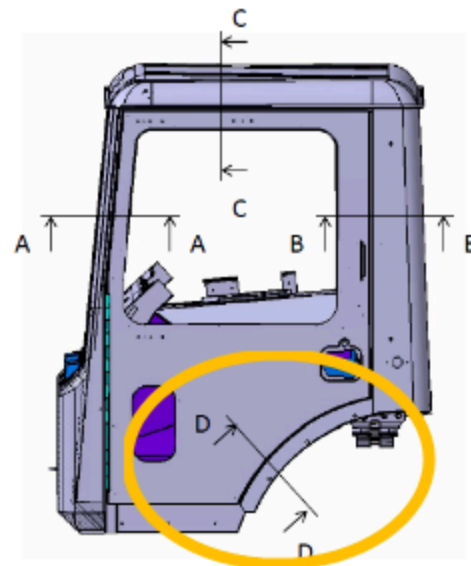
# Section B-B



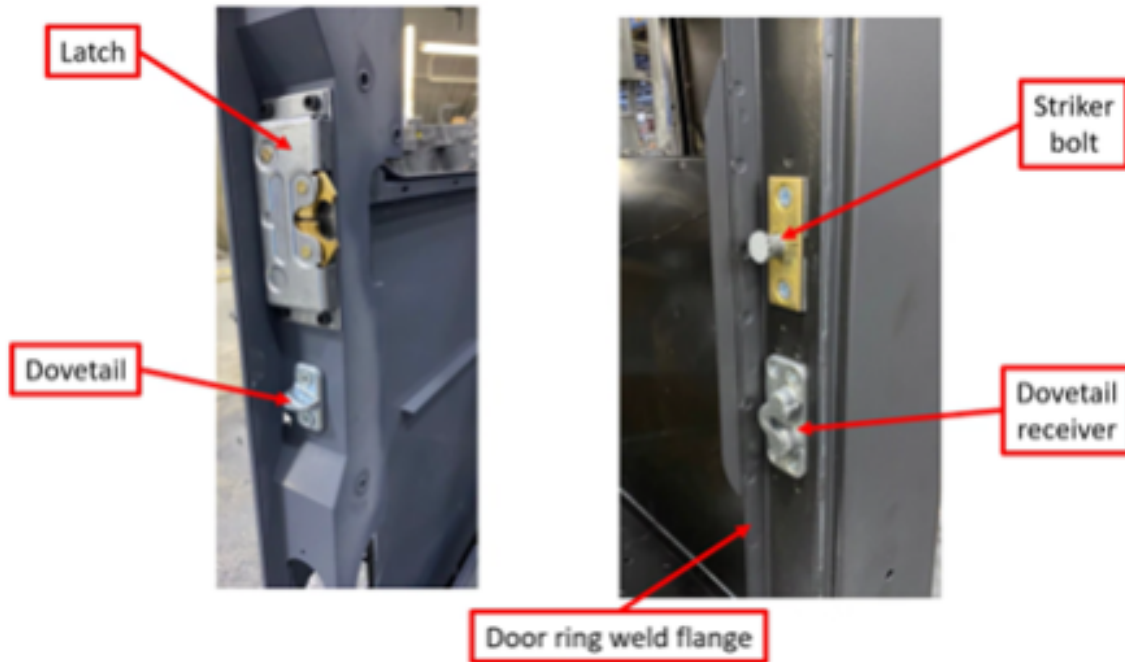
## Section C-C



## Section D-D



3. After hinge adjustment, adjust striker if necessary.
4. Door stabilizer (Dove tail and receiver) may also need to be adjusted for proper door closure.



5. If necessary, using duck billed clamps, gently tilt Door Ring Weld Flange inward to allow door to pull closer to the dove tail and striker.



Live UI

 Tags

door adjustment      mack

**Categories** \*

Make and Model > Mack > MRU/TE - TerraPro

---

Vehicle System > Body and Cab Exterior