



GROUP	MODEL
CHA	2021-2024MY Sorento (MQ4a) <u>and</u> 2023-2024MY Sportage (NQ5a)
NUMBER	DATE
126 (Rev 2, 05/06/2026)	October 2024

TECHNICAL SERVICE BULLETIN

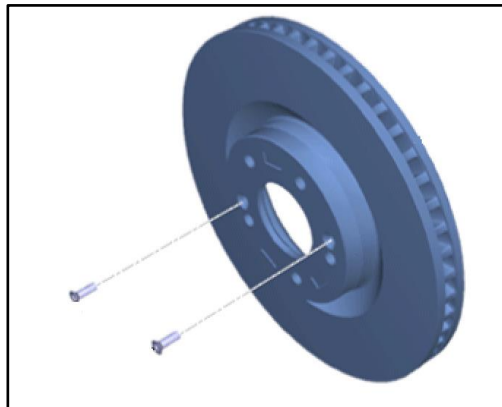
SUBJECT:

FRONT BRAKE DISC REPLACEMENT & BURNISHING

NOTICE

This bulletin has been revised to include additional information. New/revised sections of this bulletin are indicated by a black bar in the margin area.

This bulletin provides the procedure to replace the front brake discs on certain 2021-2024MY Sorento (MQ4a) vehicles produced from July 26, 2021 through March 28, 2024 and 2023-2024MY Sportage (NQ5a) vehicles produced from January 7, 2022 through May 20, 2024 to address a customer's complaint of brake judder. The affected vehicles may exhibit a vibrating and/or pulsing sensation (front brake disc judder) in the steering wheel, brake pedal, and/or seat when the brakes are applied during driving. Follow the procedure outlined in this publication to address the customers' concern of brake judder and replace both front brake discs on the applicable vehicle.

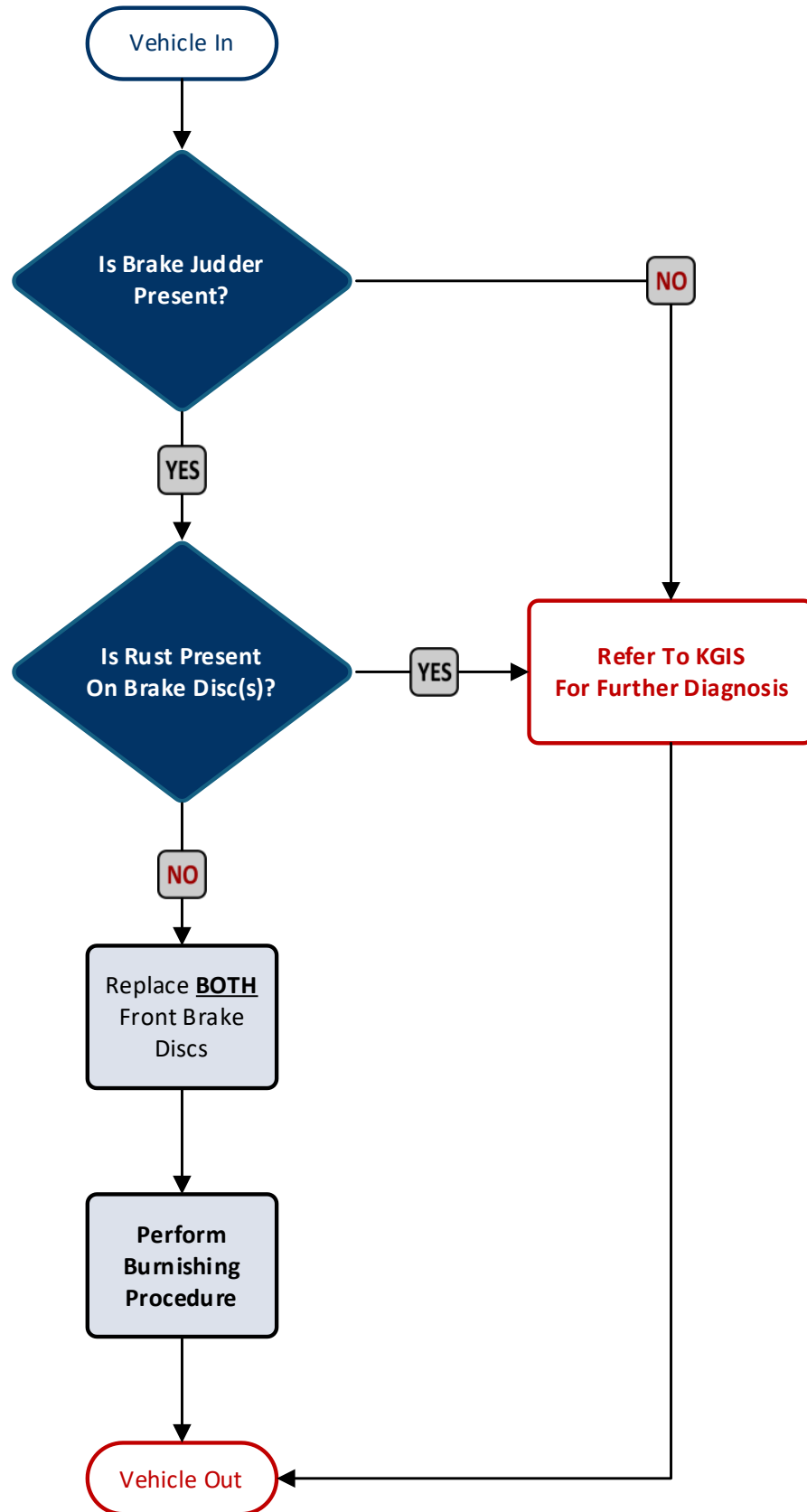


NOTICE

A Technical Service Bulletin is a field fix repair program without customer notification that may be performed during the warranty period. Any dealer requesting to perform this repair outside the warranty period will require DPSM approval.

A printed copy is for reference only; publication information can be updated at any time. Always refer to KGIS for the latest information. After logging in kdealer.com, the newest technical publications are listed in 'Service Releases' and has the latest service information that has been released.

Flowchart:



SUBJECT:

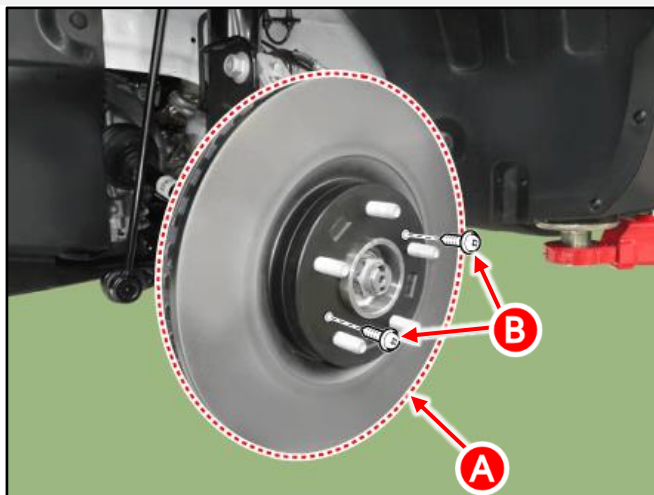
FRONT BRAKE DISC REPLACEMENT & BURNISHING

Replacement Procedure:

1. Replace **both** front brake discs (A) by referring to "Brake System → Brake System → Front Brake Disc → Repair procedures" in the applicable Shop Manual on KGIS.



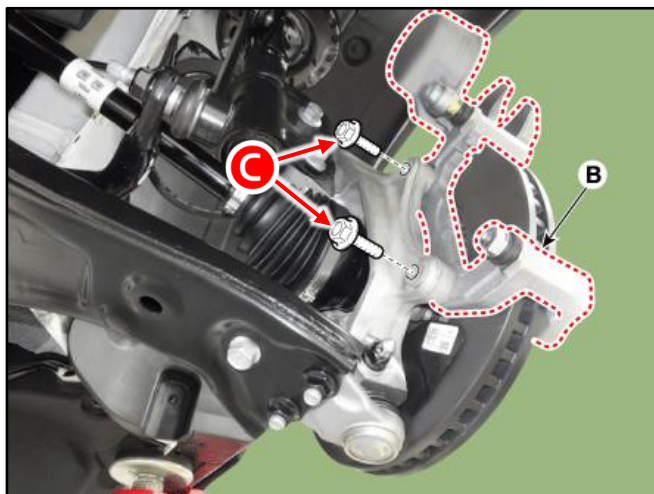
Tightening torque for screws (B):
3.6 - 4.3 lb.ft (4.9 - 5.8 N.m)


ⓘ IMPORTANT

Flange bolts (C) are NOT reusable.
Install NEW parts. SST 09581 11000 is required.



Tightening torque for flange bolts (C):
72.3 - 86.8 lb.ft (98.1 - 117.7 N.m)



3. Proceed to the 'Brake Burnishing Procedure' on page 4.

Brake Burnishing Procedure:

1. Drive the vehicle and accelerate to 50 MPH.
2. Apply the brakes using moderate force, and slow the vehicle to 10 MPH. This action should take approximately six (6) seconds.
3. With as little cooling time as possible, repeat steps 1 and 2 ten (10) times.
4. Confirm normal brake operation.




SUBJECT:

FRONT BRAKE DISC REPLACEMENT & BURNISHING

AFFECTED VEHICLE RANGE:

Model	Production Date Range
Sorento (MQ4a)	July 26, 2021 to March 28, 2024
Sportage (NQ5a)	January 7, 2022 to May 20, 2024

REQUIRED TOOL:

Tool Name	Part Number	Figure	Location	Comments
Piston Expander	09581 11000		Tool Box 1 Drawer 16	N/A

REQUIRED PART:

Part Name	Part Number	Figure	Qty.	Comments
Front Brake Disc (MQ4a)	51712 R500OFFF		2	Wheel Size: 17-inch Thickness: <u>Standard:</u> 30mm (1.18in) <u>Service Limit:</u> 28mm (1.10in)
Front Brake Disc (NQ5a)	51712 L0100FFF		2	
Bolt-Flange (MQ4a)	51735 B1100		4 (2 Each Side)	NOT Reusable
Bolt-Flange (NQ5a)	51735 3M100		4 (2 Each Side)	

SUBJECT:

FRONT BRAKE DISC REPLACEMENT & BURNISHING

WARRANTY INFORMATION:**N Code: V61 C Code: ZZ3**

Model	Claim Type	Causal P/N	Qty.	Repair Description	Labor Op Code	Op Time	Replacement P/N	Qty.
MQ4a	W	51712 R5000	0	Front Brake Disc Replacement And Burnishing Procedure	51712F09	0.9 M/H	51712 R5000FFF	2
							51735 B1100	4
NQ5a		51712 L0100	0				51712 L0100FFF	2
							51735 3M100	4

Note: For Substitute Transportation policy, please refer to [Service Policy and Procedures Manual \(SPPM\) 6.11 "Kia Substitute Transportation"](#).

Once the repair is performed and the brake rotors are replaced, TSB CHA126 is complete. Any subsequent or follow-up concerns must be addressed according to normal Service/Warranty Guidelines. As per the Warranty and Consumer Information manual, Brake linings, including pads and shoes, and clutch linings are warranted for 12 months/12,000 miles, whichever comes first, if they fail to function properly during normal use.

