

2026 Crown Signia Pre-Delivery Service (PDS)

Service Category General

Section Pre-Delivery Service

Market USA

Toyota Supports
 ASE Certification 

Applicability

YEAR(S)	MODEL(S)	ADDITIONAL INFORMATION
2026	Crown Signia	

REVISION NOTICE

April 15, 2026 Rev1:

- The Introduction, Required Tools & Equipment, and D/C Cut Fuse Installation sections have been updated.
- The Customize ACC section has been removed.

Any previous printed versions of this bulletin should be discarded.

Introduction

Pre-Delivery Service (PDS) is a critical step in satisfying our new car customers. Customer feedback indicates the following areas deserve special attention when performing PDS:

- Careful inspection for paint chips/scratches and body dents/dings.
- Proper operation of electrical accessories (including interior light, clock, and radio reset).
- Interior cleanliness.
- Proper function of mechanical systems.

The PDS process helps identify potential vehicle concerns before customer delivery. After completing the PDS process, maintain accurate PDS records by ensuring the required documents listed below are completed and recorded in accordance with Toyota Warranty Policy.

- GTS+ Health Check
- Completed PDS Check Sheet
- Battery Charge Test Print Out
- GTS+ Tire Pressure Information

Customer retention and proper maintenance of vehicles are and have always been a major focus for Toyota. To help remind customers that regular service is essential to the proper maintenance of the vehicle, dealers are required to install a service reminder sticker before delivery. By doing this, customers will be reminded to return to your dealership for service. Your current service reminder sticker may be used. (See PDS Check Sheet item 7 of “Final Inspection and Cleaning.”)

2026 Crown Signia Pre-Delivery Service (PDS)

Introduction (continued)

This bulletin contains the PDS procedures that apply specifically to 2026 model year Crown Signia vehicles.

Refer to [T-SB-0023-25](#), the universal *Check Sheet* that contains PDS steps that apply to all 2026 model year Toyota vehicles. To properly perform a complete PDS, you must complete all procedures contained in this TSB as well as the universal PDS Check Sheet. In addition, if the vehicle is stored for over 30 days, refer to [T-SB-0002-26](#), *Long-Term Vehicle Storage Guidelines*.

Refer to the table below for a definition of terms that may be used in this bulletin.

Table 1.

TERM	ACRONYM	DEFINITION
Conventional Vehicle	CV	A vehicle with only a gasoline engine for propulsion
Electrified Vehicle	EV	A vehicle that utilizes a hybrid, plug-in hybrid, fuel cell, or battery electric system for propulsion
Hybrid Electric Vehicle	HEV	A vehicle with both a gasoline engine and an HV battery
Plug-in Hybrid Electric Vehicle	PHEV	A vehicle with both a gasoline engine and an HV battery that can be charged externally
Battery Electric Vehicle	BEV	A vehicle with only an HV battery that can be charged externally
Fuel Cell Electric Vehicle	FCEV	A vehicle with both a hydrogen fuel cell and an HV battery
State of Charge	SOC	The remaining capacity available in a battery
12-Volt	12V	Standard 12V battery used to power electrical systems separate from high voltage components
High Voltage	HV	HV battery used to power the electrified vehicle

2026 Crown Signia Pre-Delivery Service (PDS)

Table of Contents

- [Warranty Policy](#) 4
- [Warranty Information](#) 4
- [Required Tools & Equipment](#) 4
- [D/C Cut Fuse Installation](#) 5
- [Front License Plate and Mounting Bracket Installation*](#) 6
- [Front Emergency Towing Eyelet Removal and Hole Cover Installation](#) 7
- [Check Torque of Wheel Fasteners](#) 8
- [Tire Pressure Warning System \(TPWS\) Initialization](#) 9
- [Seating Position Control ECU Initialization](#) 9
- [Head Unit System Reset](#) 9
- [Dealer Contact Information for Call Dealer Head Unit Function](#) 10
- [Navigation — Set Date & Time by GPS](#) 10

*If applicable.

2026 Crown Signia Pre-Delivery Service (PDS)

Warranty Policy

If the need for additional repairs or adjustment is noted during PDS, the required service should be performed under warranty. Reimbursement will be managed under the warranty policy.

The Warranty Policy and Procedures Manual requires that you maintain the completed Check Sheet in the customer’s file. If you cannot produce a completed form for each retailed vehicle upon TMS and/or Region/Distributor audit, the PDS payment amount will be subject to debit.

An additional Repair Order completed in conjunction with normal PDS MUST have time punch/flags for service. If multiple repairs are performed, separate time flags MUST be punched for each repair.

Warranty Information

OP CODE	DESCRIPTION	MODEL	TIME	OFF	T1	T2
001013	Pre-Delivery Service (PDS)	Crown Signia	1.0	-	-	-

Required Tools & Equipment

REQUIRED EQUIPMENT	SUPPLIER	PART NUMBER	QTY
Techstream ADVi*	ADE	TSADVUNITECP	1
Techstream Lite		TSLP3DLR01	
Techstream Lite (Green Cable)		TSLP2DLR01	

*Essential SST.

NOTE

- Only ONE of the Techstream units listed above is required.
- GTS+ Software version 2026.01.003.02 or later is required.
- Additional Techstream units may be ordered by calling Approved Dealer Equipment (ADE) at 1-800-368-6787 or by visiting *TIS – Diagnostics – Tools & Equipment – Techstream Order Portal*.

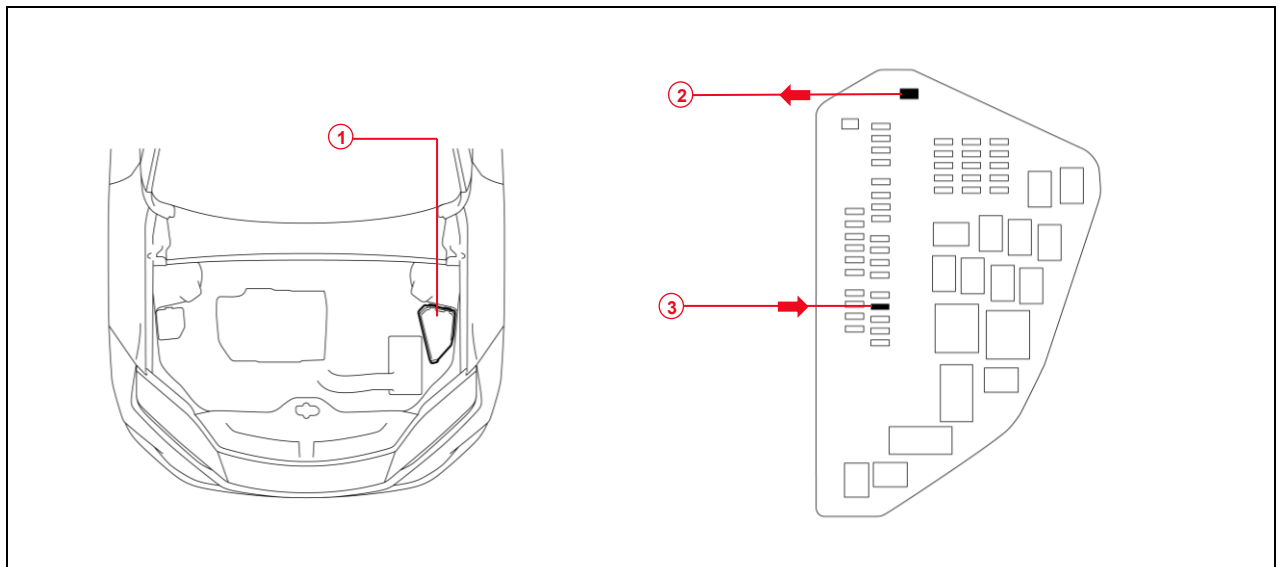
2026 Crown Signia Pre-Delivery Service (PDS)

D/C Cut Fuse Installation

Check the location of the D/C Cut fuse (20A). It may have been removed at the assembly plant and temporarily stored in the blank space of the relay block in the engine compartment to minimize battery discharge during transportation and storage.

- If the D/C Cut fuse (20A) is still in its original location in the relay block, proceed with performing a Health Check using GTS+.
- If the D/C Cut fuse (20A) is NOT in its original location, it is necessary to remove the D/C Cut fuse (20A) from the blank space in the relay block and reinstall it to its original location as shown. After installation, confirm ALL related DTCs are cleared.

Figure 1.



1	Relay Block
2	Remove the D/C Cut Fuse (20A) (Blank Space)
3	Install the D/C Cut Fuse (20A) (Original Location)

NOTE

- With the D/C Cut fuse (20A) removed, if ANY DTCs are detected when the ignition is turned ON during transportation, use GTS+ to clear ALL DTCs AFTER ensuring that there are NO malfunctions.
- While the vehicle is stored at the dealership, disconnect the negative (-) battery terminal to prevent battery discharge. Refer to [T-SB-0005-26](#), *Battery Inspection and Maintenance During PDS*, for battery maintenance information.

2026 Crown Signia Pre-Delivery Service (PDS)

Front License Plate and Mounting Bracket Installation

The front license plate bracket and two self-tapping screws are stored in the vehicle. Follow this procedure to install the front license plate bracket and front license plate in states where it is required by law.

1. Align attachment point “A” of the mounting bracket with the dimples on the radiator lower grille.

NOTE

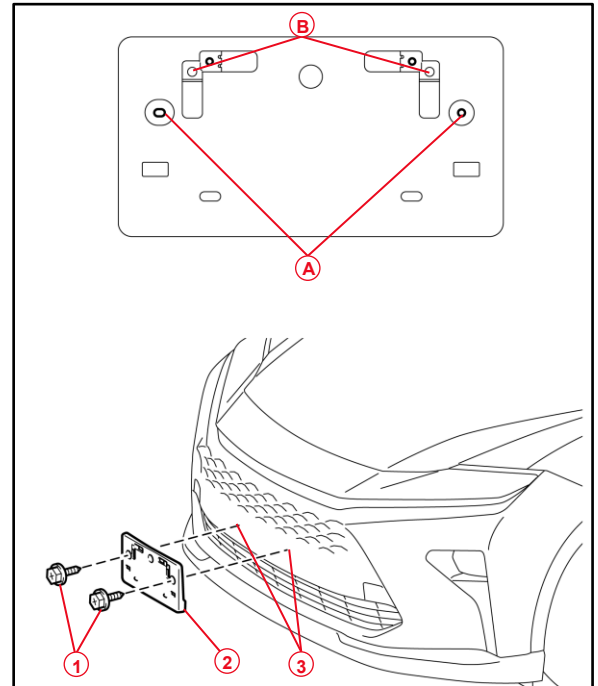
- Attachment point “A” is used for installation of the mounting bracket to the radiator grille.
- Attachment point “B” is used for the installation of the front license plate to the mounting bracket.

2. Screw the two self-tapping screws directly into the dimples to install the front license plate mounting bracket.

NOTICE

- Do NOT drill holes in the dimples.
- Do NOT overtighten the self-tapping screws.

Figure 2.



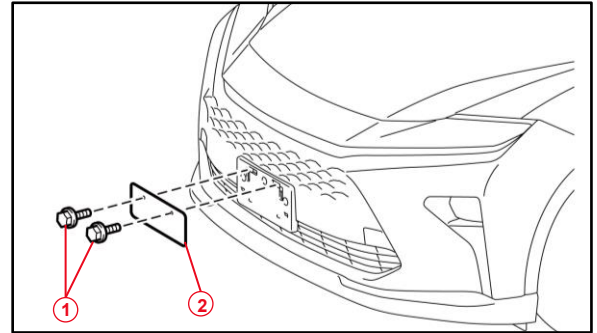
A	Attachment point “A” for Mounting Bracket
B	Attachment point “B” for Front License Plate
1	Self-tapping Screws
2	Mounting Bracket
3	Dimples

2026 Crown Signia Pre-Delivery Service (PDS)

Front License Plate and Mounting Bracket Installation (continued)

3. Install the mounting bracket to the radiator grille using two bolts.

Figure 3.



1	Bolts
2	Front License Plate

Front Emergency Towing Eyelet Removal and Hole Cover Installation

1. Remove the front emergency towing eyelets from the front bumper by turning them counterclockwise.

HINT

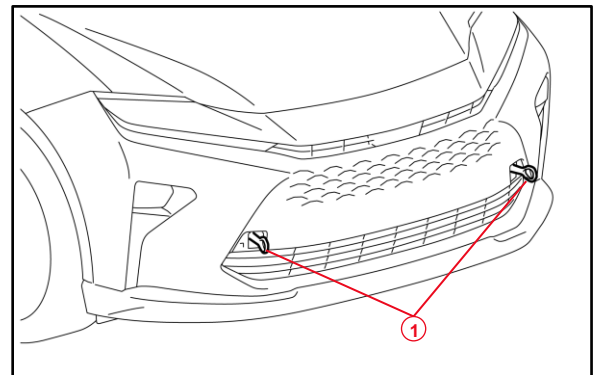
If it is difficult to loosen the emergency towing eyelets, use a steel bar.

2. Place one of the removed front emergency towing eyelets into the luggage tray in the luggage compartment.

NOTE

Dispose of the other removed emergency towing eyelet.

Figure 4.



1	Front Emergency Towing Eyelets
----------	---------------------------------------

2026 Crown Signia Pre-Delivery Service (PDS)

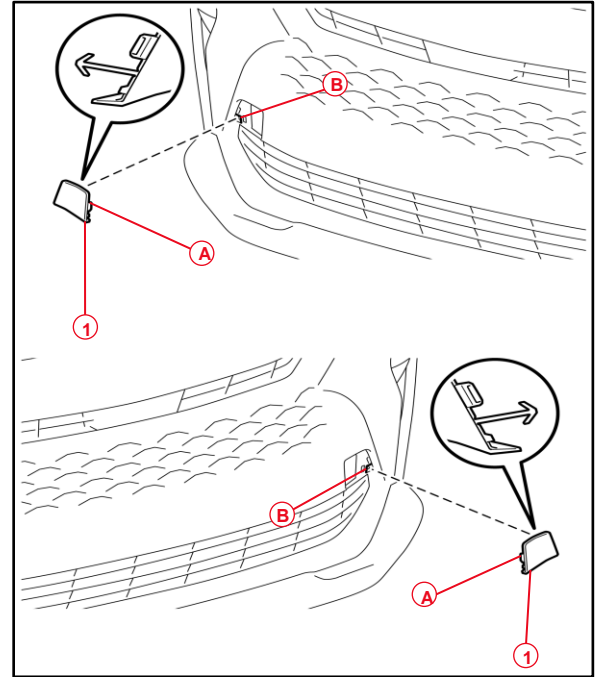
Front Emergency Towing Eyelet Removal and Hole Cover Installation (continued)

3. Install the front emergency towing eyelet hole covers, which are stored in the glove box, onto the front bumper.
 - A. Insert the arrow-shaped part of the emergency towing eyelet hole cover "A" into the eyelet hole "B" as shown.
 - B. Install the emergency towing eyelet hole cover to the hole of the bumper.

NOTE

Make sure that the front emergency towing eyelet cover is installed in the front.

Figure 5.



A	Arrow-shaped Part
B	Eyelet Hole
1	Front Emergency Towing Eyelet Hole Cover

Check Torque of Wheel Fasteners

Using a calibrated torque wrench, verify the wheel fasteners on each wheel are tightened to at least the specified torque listed in the Repair Manual.

- [2026 Crown Signia](#):
General – Maintenance – Tire and Wheel – Installation

NOTICE

Do NOT continue to tighten once verified.

2026 Crown Signia Pre-Delivery Service (PDS)

Tire Pressure Warning System (TPWS) Initialization

Refer to the applicable Repair Manual for the TPWS initialization procedure.

- [2026](#) Crown Signia:

Suspension – Tire Pressure Monitoring – Tire Pressure Warning Receiver – Initialization

NOTE

- When the outside temperature is significantly colder than the shop's temperature, or there is a significant ambient temperature change overnight, use GTS+ to determine the proper tire pressure.
- From the Health Check Result Status pane, select the refresh button within the Compensation Pressure data display.
- This model has four TPWS sensors.

Seating Position Control ECU Initialization

Refer to the applicable Repair Manual for the seating position control ECU initialization procedure (procedure 2).

- [2026](#) Crown Signia:

Vehicle Interior – Seat – Front Power Seat Control System – Registration

Head Unit System Reset

Prior to vehicle delivery confirm radio displays the welcome screen with language options when Ignition is ON.

If the welcome screen with language options does not display complete the following steps:

1. Turn the engine switch (power switch) to the ON position (ON mode).
2. Enter the Following menus: *Settings – Info & Security – Info & Security Reset.*
3. Select *yes* when the system reset dialogue box appears.
4. Cycle engine switch (power switch) OFF – ON to confirm welcome screen appears.

2026 Crown Signia Pre-Delivery Service (PDS)

Dealer Contact Information for Call Dealer Head Unit Function

Refer to the *Navigation and Multimedia System Owner's Manual* to add dealer contact information.

- [2026](#) Crown Signia:
Section 2-8 *Vehicle Settings – Setting Dealer Information*

Navigation — Set Date & Time by GPS

Prior to vehicle delivery, it is necessary to turn the Set date & time by GPS setting to the ON position.

1. Turn the engine switch (power switch) to the ON position (ON mode).
2. Navigate the following menus in the head unit: *Settings – General – Date & Time – Set Date & Time by GPS*.
3. Ensure the Set date & time by GPS function is set to the ON position.