

# 2026 RZ 350e, RZ 450e, and RZ 550e Pre-Delivery Service (PDS)

**Service Category** General

**Section** Pre-Delivery Service

**Market** USA

Toyota Supports  
ASE Certification 

## Applicability

YEAR(S)	MODEL(S)	ADDITIONAL INFORMATION
2026	RZ350E, RZ450E, RZ550E	

### REVISION NOTICE

**April 13, 2026 Rev1:**

- The Required Tools and Equipment section has been updated.
  - The Customize ACC Function section has been removed.
- Any previous printed versions of this bulletin should be discarded.**

## Introduction

Pre-Delivery Service (PDS) is a critical step in satisfying our new car customers. Customer feedback indicates the following areas deserve special attention when performing PDS:

- Careful inspection for paint chips/scratches and body dents/dings.
- Proper operation of electrical accessories (including interior light, clock, and radio reset).
- Interior cleanliness.
- Proper function of mechanical systems.

The PDS process helps identify potential vehicle concerns before customer delivery. After completing the PDS process, maintain accurate PDS records by ensuring the required documents listed below are completed and recorded in accordance with Lexus Warranty Policy.

- GTS+ Health Check
- Completed PDS Check Sheet
- Battery Charge Test Print Out
- GTS+ Tire Pressure Information

Customer retention and proper maintenance of vehicles are and have always been a major focus for Lexus. To help remind customers that regular service is essential to the proper maintenance of the vehicle, dealers are required to install a service reminder sticker before delivery. By doing this, customers will be reminded to return to your dealership for service. Your current service reminder sticker may be used.

## 2026 RZ 350e, RZ 450e, and RZ 550e Pre-Delivery Service (PDS)

---

### Introduction (continued)

This bulletin contains the PDS procedures that apply specifically to 2026 model year RZ 350e, RZ 450e, and RZ 550e vehicles.

Refer to [L-PDSB-CS001-D](#) the universal *Check Sheet* that contains PDS steps that apply to all 2026 model year Lexus vehicles. To properly perform a complete PDS, you must complete all procedures contained in this TSB as well as the PDS Check Sheet. In addition, if the vehicle is stored for over 30 days, refer to [L-SB-0011-25](#), *Long-Term Vehicle Storage Guidelines*.

Refer to the table below for a definition of terms that may be used in this bulletin.

**Table 1.**

TERM	ACRONYM	DEFINITION
Conventional Vehicle	CV	A vehicle with only a gasoline engine for propulsion
Electrified Vehicle	EV	A vehicle that utilizes a hybrid, plug-in hybrid, or battery electric system for propulsion
Hybrid Electric Vehicle	HEV	A vehicle with both a gasoline engine and an HV battery
Plug-in Hybrid Electric Vehicle	PHEV	A vehicle with both a gasoline engine and an HV battery that can be charged externally
Battery Electric Vehicle	BEV	A vehicle with only an HV battery that can be charged externally
State of Charge	SOC	The remaining capacity available in a battery
12-Volt	12V	Standard 12V battery used to power electrical systems separate from high voltage components
High Voltage	HV	HV battery used to power the electrified vehicle

## 2026 RZ 350e, RZ 450e, and RZ 550e Pre-Delivery Service (PDS)

---

### Table of Contents

- [Warranty Policy](#) .....4
- [Warranty Information](#) .....4
- [Required Tools & Equipment](#) .....4
- [D/C Cut Fuse Installation](#) .....5
- [Front License Plate and Mounting Bracket Installation\\*](#) .....6
- [Front and Rear Emergency Towing Eyelet Removal and Hole Cover Installation](#) .....8
- [Power Back Door Initialization\\*](#) .....9
- [Tire Pressure Warning System \(TPWS\) Initialization](#) .....10
- [Seating Position Control ECU Initialization\\*](#) .....10
- [Head Unit System Reset](#) .....10
- [Dealer Contact Information for Call Dealer Head Unit Function](#) .....11
- [Navigation — Set Date & Time by GPS](#) .....11

\*If Applicable

## 2026 RZ 350e, RZ 450e, and RZ 550e Pre-Delivery Service (PDS)

### Warranty Policy

If the need for additional repairs or adjustment is noted during PDS, the required service should be performed under warranty. Reimbursement will be managed under the warranty policy.

**The Warranty Policy and Procedures Manual requires that you maintain the completed Check Sheet in the customer's file.** If you cannot produce a completed form for each retailed vehicle upon TMS and/or Region/Distributor audit, the PDS payment amount will be subject to debit.

An additional Repair Order completed in conjunction with normal PDS MUST have time punch/flags for service. If multiple repairs are performed, separate time flags MUST be punched for each repair.

### Warranty Information

OP CODE	DESCRIPTION	TIME	OFF	T1	T2
N/A	Not Applicable to Warranty	-	-	-	-

### Required Tools & Equipment

REQUIRED EQUIPMENT	SUPPLIER	PART NUMBER	QTY
Techstream ADVi*	ADE	TSADVUNITECP	1
Techstream Lite		TSLP3DLR01	
Techstream Lite (Green Cable)		TSLP2DLR01	

\*Essential SST.

**NOTE**

- Only ONE of the Techstream units listed above is required.
- GTS+ software version 2026.01.003.02 or later is required.
- Additional Techstream units may be ordered by calling Approved Dealer Equipment (ADE) at 1-800-368-6787 or by visiting *TIS – Diagnostics – Tools & Equipment – Techstream Order Portal*.

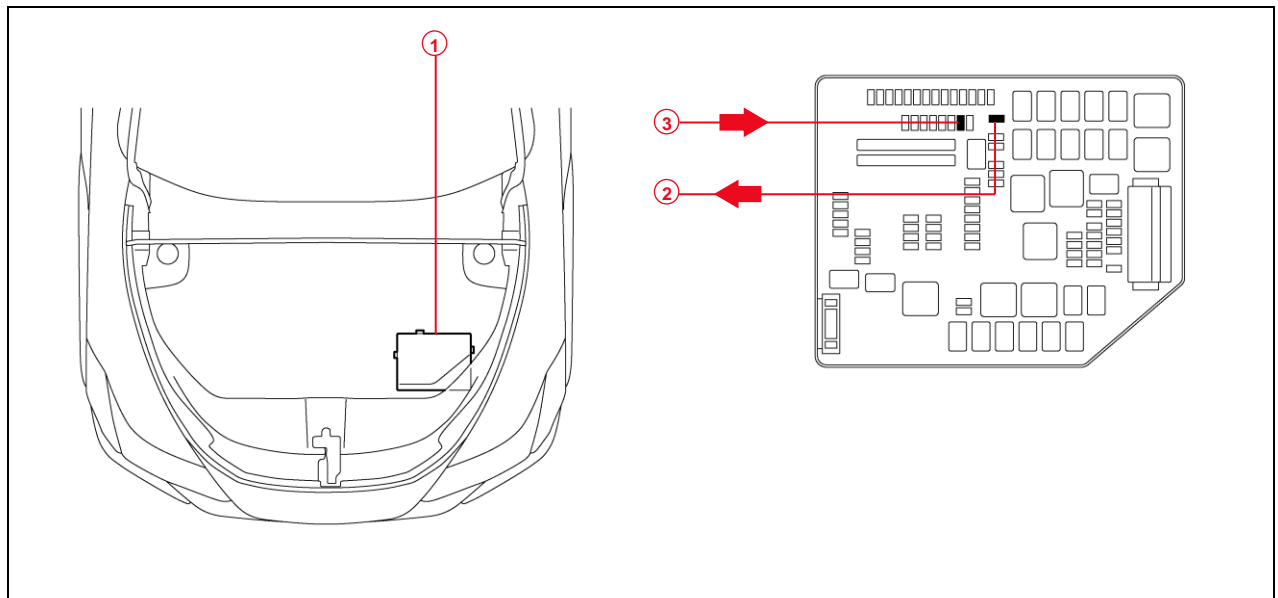
## 2026 RZ 350e, RZ 450e, and RZ 550e Pre-Delivery Service (PDS)

### D/C Cut Fuse Installation

Check the location of the D/C Cut fuse (30A). It may have been removed at the assembly plant and temporarily stored in the blank space of the relay block in the engine compartment to minimize battery discharge during transportation and storage.

- If the D/C Cut fuse (30A) is still in its original location in the relay block, proceed with performing a Health Check using GTS+.
- If the D/C Cut fuse (30A) is NOT in its original location, it is necessary to remove the D/C Cut fuse (30A) from the blank space in the relay block and reinstall it to its original location as shown. After installation, confirm ALL related DTCs are cleared.

Figure 1.



<b>1</b>	<b>Relay Block</b>
<b>2</b>	<b>Remove the D/C Cut Fuse (30A) (Blank Space)</b>

<b>3</b>	<b>Install the D/C Cut Fuse (30A) (Original Location)</b>
----------	---

#### NOTE

- With the D/C Cut fuse (30A) removed, if ANY DTCs are detected when the ignition is turned ON during transportation, use GTS+ to clear ALL DTCs AFTER ensuring that there are NO malfunctions.
- While the vehicle is stored at the dealership, disconnect the negative (-) battery terminal to prevent battery discharge. Refer to [L-SB-0019-25](#), *Battery Inspection and Maintenance During PDS*, for battery maintenance information.

## 2026 RZ 350e, RZ 450e, and RZ 550e Pre-Delivery Service (PDS)

### Front License Plate and Mounting Bracket Installation

The front license plate bracket and two self-tapping screws are loaded in the vehicle at the assembly plant. Follow this procedure to install the front license plate bracket and front license plate in states where it is required by law.

1. Align holes “A” of the mounting bracket with the dimples on the front bumper. Mark the location of holes “B” on the bumper.

**NOTE**

- Holes “A” are used for installation of the mounting bracket to the bumper.
- Holes “B” are used for the installation of the front license plate to the mounting bracket.

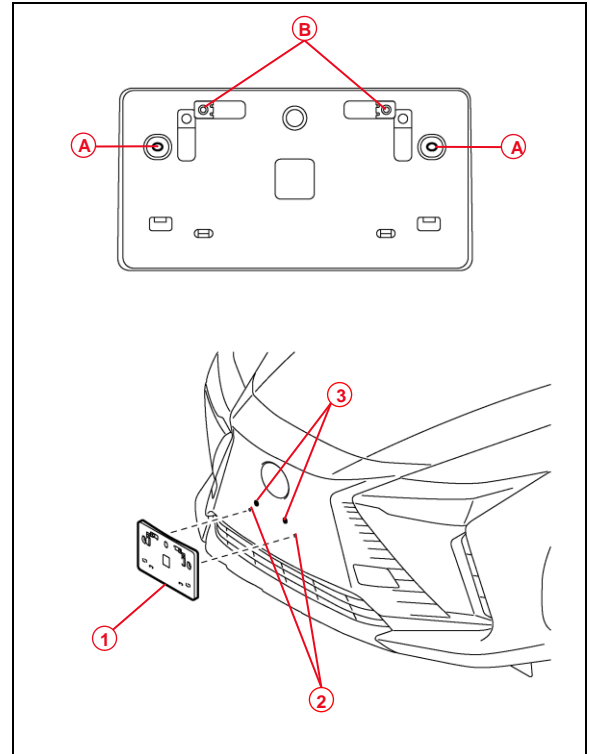
2. Drill two relief holes with a diameter of 11 mm (0.43 in.) at the hole “B” marks on the front bumper to prevent the license plate retaining bolt end from contacting the front bumper.

**NOTICE**

- Do NOT pre-drill holes into the dimples.
- Do NOT overtighten the self-tapping screws.

3. Install the mounting bracket to the front bumper by attaching the two self-tapping screws.

**Figure 2.**



<b>A</b>	<b>Holes “A” for Mounting Bracket</b>
<b>B</b>	<b>Holes “B” for Front License Plate</b>
<b>1</b>	<b>Mounting Bracket</b>
<b>2</b>	<b>Dimples</b>
<b>3</b>	<b>Mark and Drill Holes</b>

## 2026 RZ 350e, RZ 450e, and RZ 550e Pre-Delivery Service (PDS)

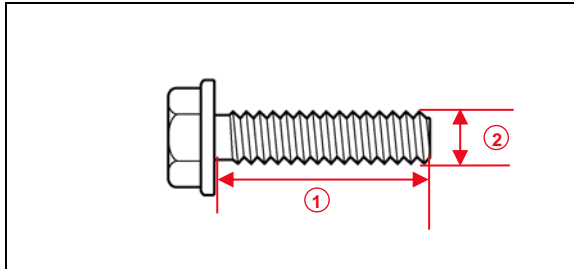
### Front License Plate and Mounting Bracket Installation (continued)

- Install the front license plate onto the mounting bracket using two noncorroding bolts with the following dimensions:

**Nominal Length: 15.0 mm (0.59 in.)**

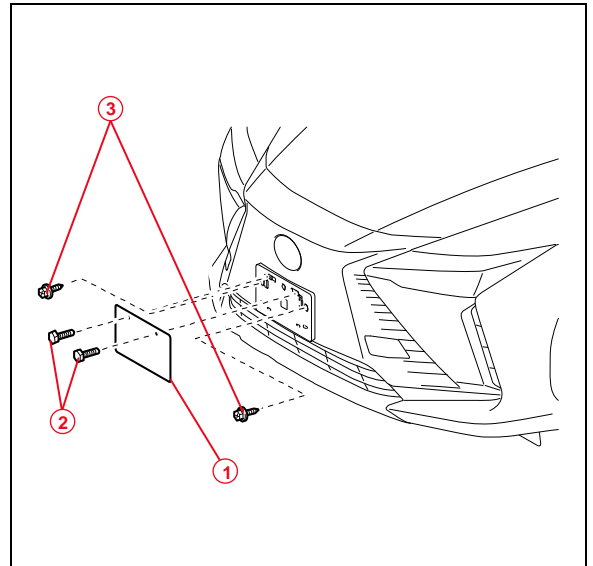
**Diameter: 6.0 mm (0.24 in.)**

**Figure 3.**



<b>1</b>	<b>Nominal Length</b>
<b>2</b>	<b>Diameter</b>

**Figure 4.**



<b>1</b>	<b>Front License Plate</b>
<b>2</b>	<b>Bolts</b>
<b>3</b>	<b>Self-tapping Screws</b>

## 2026 RZ 350e, RZ 450e, and RZ 550e Pre-Delivery Service (PDS)

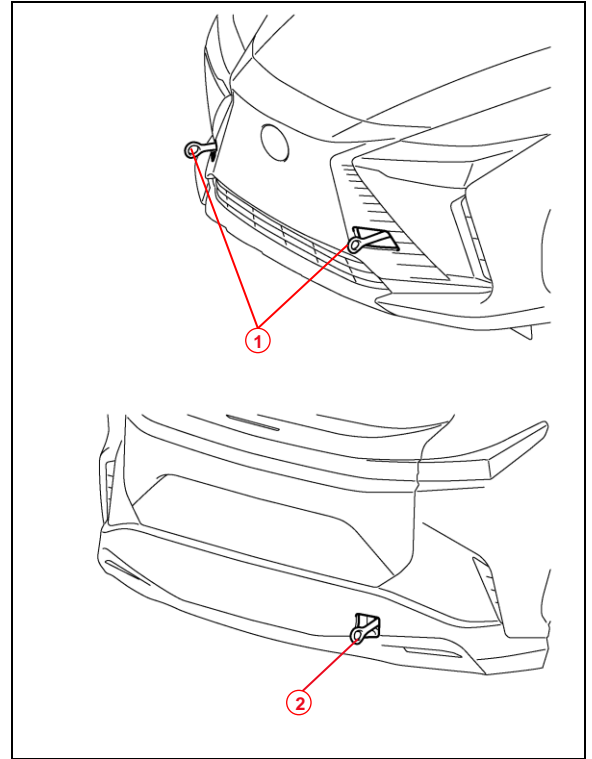
### Front and Rear Emergency Towing Eyelet Removal and Hole Cover Installation

1. Remove the front and rear emergency towing eyelets from the front and rear bumpers by turning them counterclockwise.

**NOTE**

If it is difficult to loosen the emergency towing eyelets, use a steel bar.

**Figure 5.**



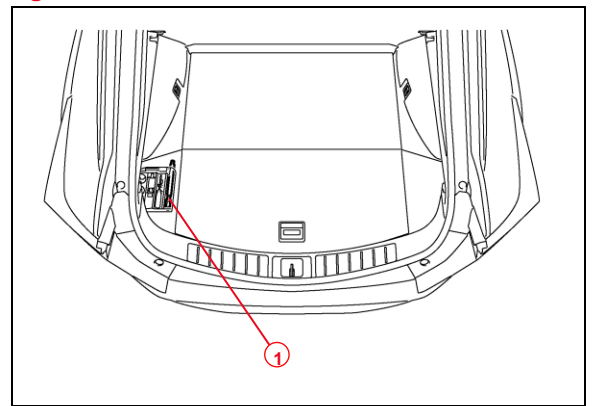
<b>1</b>	<b>Front Emergency Towing Eyelets</b>
<b>2</b>	<b>Rear Emergency Towing Eyelet</b>

2. Place the removed rear emergency towing eyelet into the deck side trim box in the luggage compartment.

**NOTE**

Dispose of the removed front emergency towing eyelets.

**Figure 6.**



<b>1</b>	<b>Rear Emergency Towing Eyelet</b>
----------	-------------------------------------

## 2026 RZ 350e, RZ 450e, and RZ 550e Pre-Delivery Service (PDS)

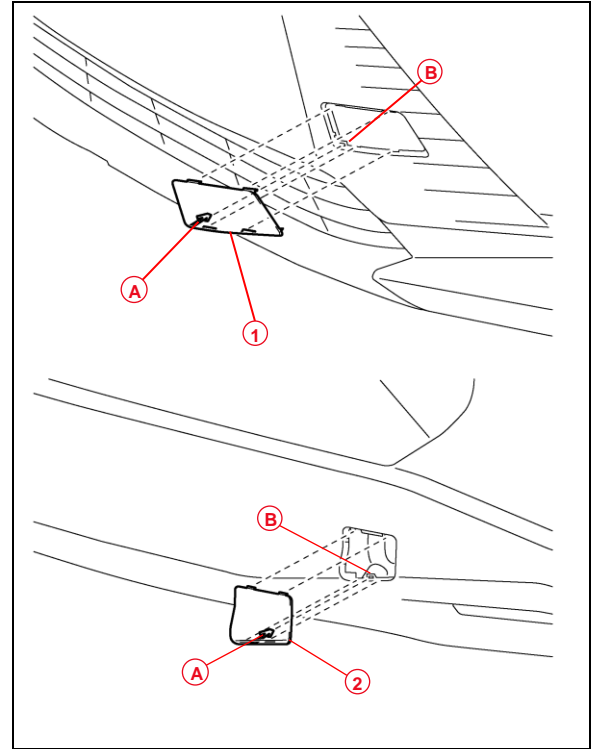
### Front and Rear Emergency Towing Eyelet Removal and Hole Cover Installation (continued)

3. Install the front and rear emergency towing eyelet hole covers, which are stored in the console box, onto the front and rear bumpers.
  - A. Insert the arrow-shaped part of the emergency towing eyelet hole cover "A" into the eyelet hole "B" as shown.
  - B. Install the emergency towing eyelet hole cover to the hole of the bumper.

**HINT**

Make sure the front emergency towing eyelet hole cover is installed in the front, and the rear emergency towing eyelet hole cover is installed in the rear.

**Figure 7.**



<b>A</b>	Arrow-shaped Part
<b>B</b>	Eyelet Hole
<b>1</b>	Front Emergency Towing Eyelet Hole Cover
<b>2</b>	Rear Emergency Towing Eyelet Hole Cover

### Power Back Door Initialization

Refer to the applicable Repair Manual for the power back door initialization procedure.

- [2026](#) RZ 350e, RZ 450e, and RZ 550e:

*Vehicle Exterior – Door / Hatch – Back Door Closer ECU – Initialization*

## 2026 RZ 350e, RZ 450e, and RZ 550e Pre-Delivery Service (PDS)

---

### Tire Pressure Warning System (TPWS) Initialization

Refer to the applicable Repair Manual for the TPWS initialization procedure.

- [2026](#) RZ 350e, RZ 450e, and RZ 550e:  
*Suspension – Tire Pressure Monitoring – Tire Pressure Warning Receiver – Initialization*

#### NOTE

- To adjust the tire pressure correctly when the outside temperature is significantly colder than shop temperature, perform a Health Check using GTS+ and select the compensation tire pressure checkbox. Compensation pressures will display on the Health Check results screen. Adjust the tire pressure when the tires are cold.
- This model has four TPWS sensors.

### Seating Position Control ECU Initialization

Refer to the applicable Repair Manual for the seating position control ECU initialization procedure (procedure 2).

- [2026](#) RZ 350e, RZ 450e, and RZ 550e:  
*Vehicle Interior – Seat – Front Power Seat Control System (w/ Memory) – Registration*

### Head Unit System Reset

Prior to vehicle delivery, please confirm that the welcome screen with language options appears on the head unit display when ignition is switched to the ON position. There may be instances where the welcome screen with language options may not properly appear on the head unit display.

If the welcome screen showing language options is not displayed, complete the following steps:

1. Select the Settings option (gear icon).
2. Scroll down and select the Info & Security option.
3. The System Reset dialogue box will appear. Select Reset to confirm the resetting of the system.
4. Confirm that the welcome screen with language options is now displayed.

## 2026 RZ 350e, RZ 450e, and RZ 550e Pre-Delivery Service (PDS)

---

### Dealer Contact Information for Call Dealer Head Unit Function

Refer to the *Multimedia System Owner's Manual* to add dealer contact information.

- [2026](#) RZ 350e, RZ 450e, and RZ 550e:  
*Section 2-8 Vehicle Settings – Setting Dealer Information*

### Navigation — Set Date & Time by GPS

Prior to vehicle delivery, we are asking that dealers please confirm that they have turned the “Set time by GPS” functionality on in each vehicle. Therefore, it is necessary to turn the Set date & time by GPS setting to the ON position.

1. Turn the engine switch (power switch) to ON position (ON mode).
2. Navigate the following menus in the head unit: *Settings – General – Date & Time – Set Date & Time by GPS*.
3. Ensure the Set date & time by GPS function is set to the ON position.