

RSB-56-26-002-1: Squeaking Exterior Door Handles

Rivian is launching a technical service bulletin for some model year 2025-2026 R1T and R1S vehicles that were manufactured with exterior door handles that, under some conditions, could squeak when the handles present or retract. The ability to open the door and enter or exit the vehicle is not affected. Upon customer complaint of a squeaking exterior door handle, Rivian will upgrade a pin inside all 4 exterior door handles.

Document Type	Technical Service Bulletin
Date	April 16, 2026
Affected Region(s)	USA, Canada
Affected Model(s)	R1T, R1S
Model Year(s)	2025-2026
Approximate Build Dates	April 2024-September 2025
Note: Refer to the TSB Guide Dashboard to determine if this document applies to a specific vehicle.	
Vehicle System	56 - Closures

Required Parts

Part Number	Quantity	Engineering Name	Service Name/Notes
PT01552455-A	4	SVC - R1 PEREGRINE OUTSIDE HANDLE PTFE EFFORT PIN	
PT01552456-A	4	SVC - R1 PEREGRINE OUTSIDE HANDLE CIRCLIP	
N/A	As needed	Krytox 205 grease	

Attention:

The parts listed in this table are only for unique steps that are called out in this bulletin. Some sections of this bulletin might refer to Service Manual procedures which require additional parts. Always review the bulletin and all potentially related Service Manual procedures before ordering parts and beginning work.

Required Special Tools:

Tool Number	Tool Name
TSN00547	Electronic parking brake release tool
TSN00776	R1 driver door handle adapter harness
TSN00777	R1 passenger door handle adapter harness

Attention:

The special tools listed in this table are only for unique steps that are called out in this bulletin. Some sections of this bulletin might refer to Service Manual procedures which require additional special tools. Always review the bulletin and all potentially related Service Manual procedures before beginning work.

Access Labor

1. Prepare a padded surface so the components are not damaged.
2. On both sides of the vehicle: Remove: Handle, Exterior, Front Door (refer to service manual procedure 565010010).
3. On both sides of the vehicle: Remove: Handle, Exterior, Rear Door (refer to service manual procedure 565012010).

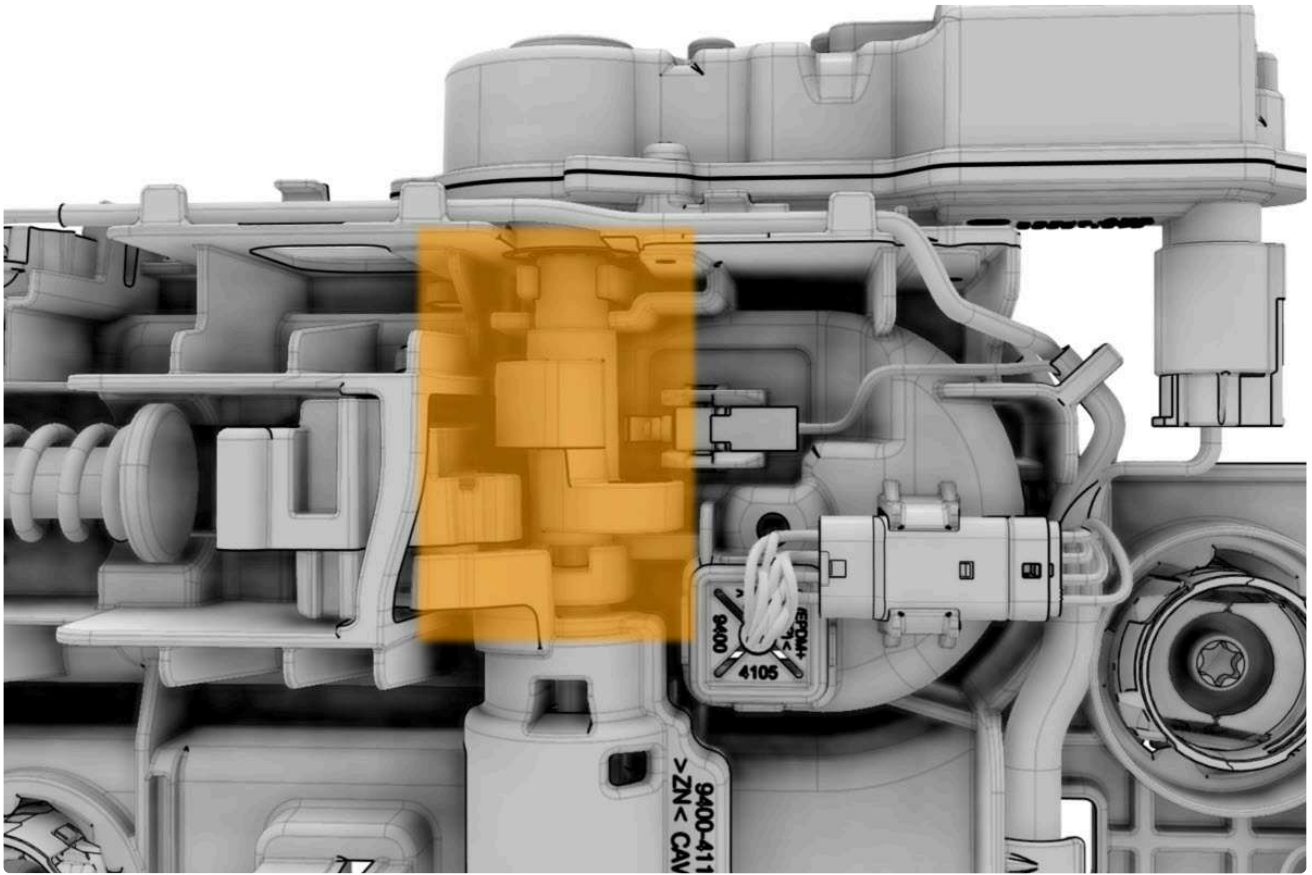
Rework

Perform this section of all 4 exterior door handles.

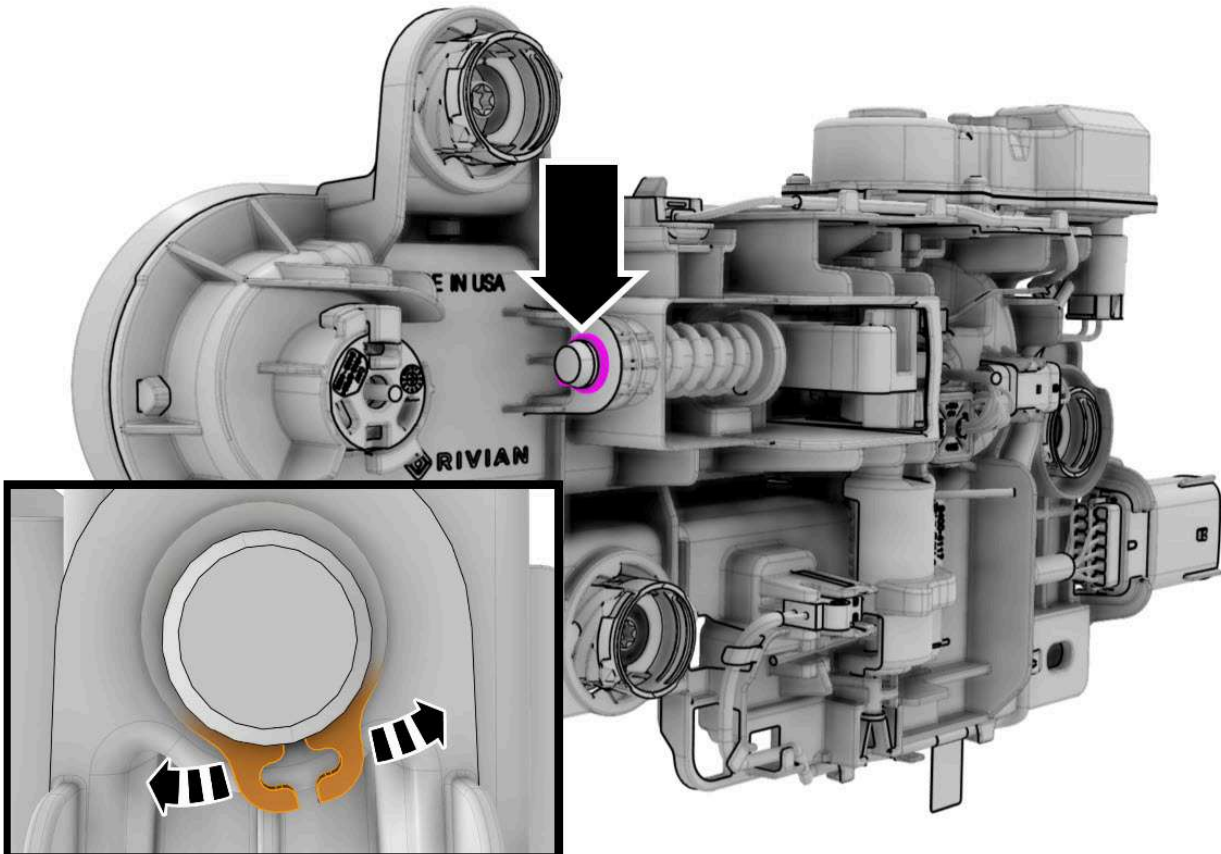
Note:

Front shown; rear similar.

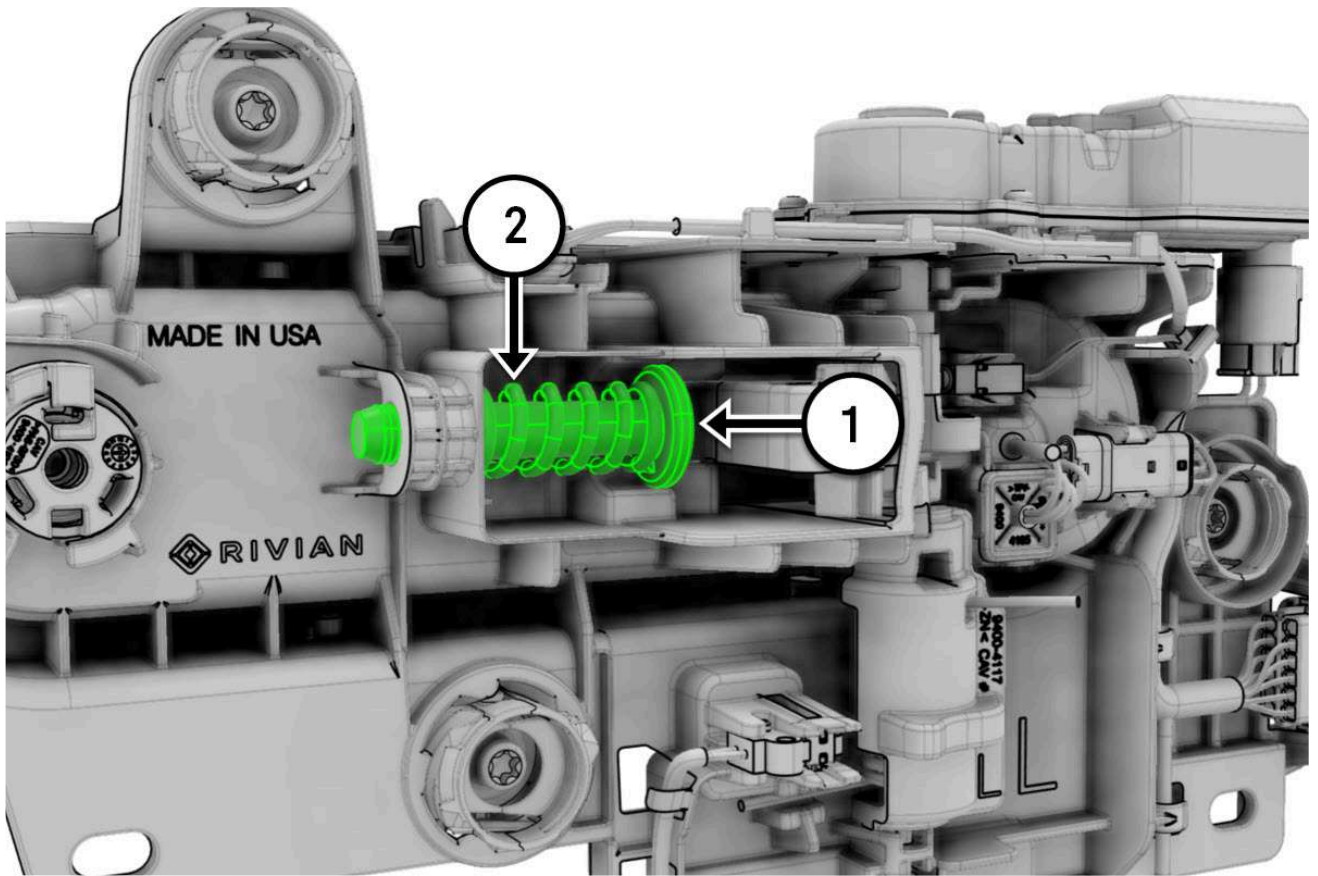
1. Clean the highlighted area(s). Use alcohol wipes or rubbing alcohol on a clean cloth. Open the door handle as needed to clean all grease from any moving components.



2. Using the retaining ring pliers: Remove and discard:

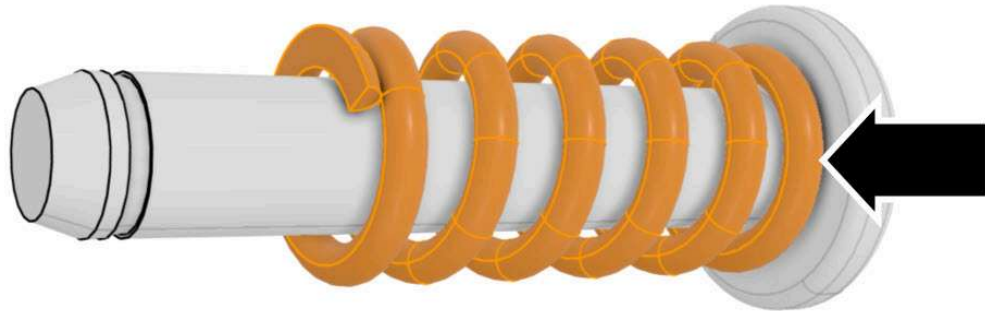


3. Remove:

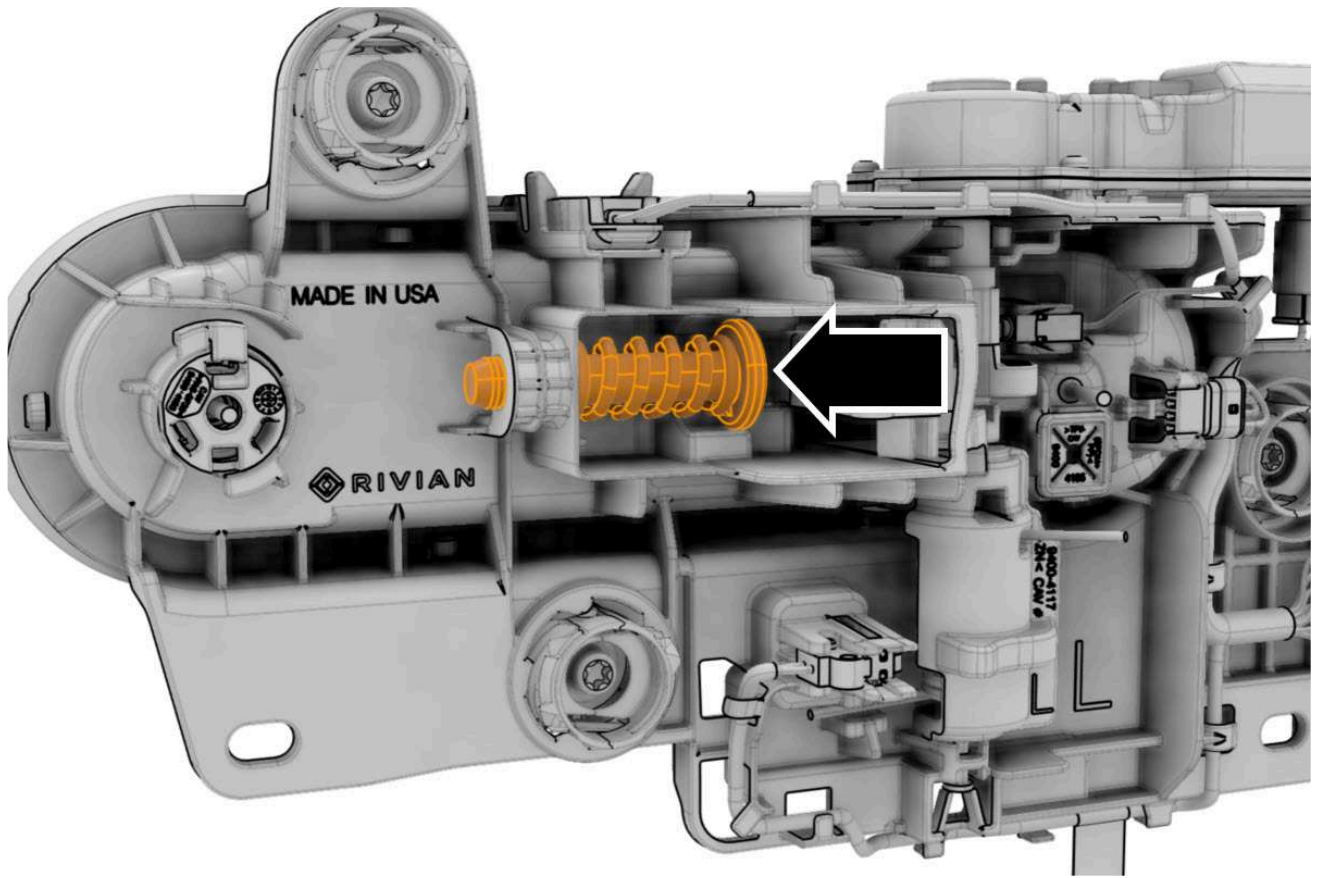


1	Remove and discard: Pin
2	Remove and retain: Spring

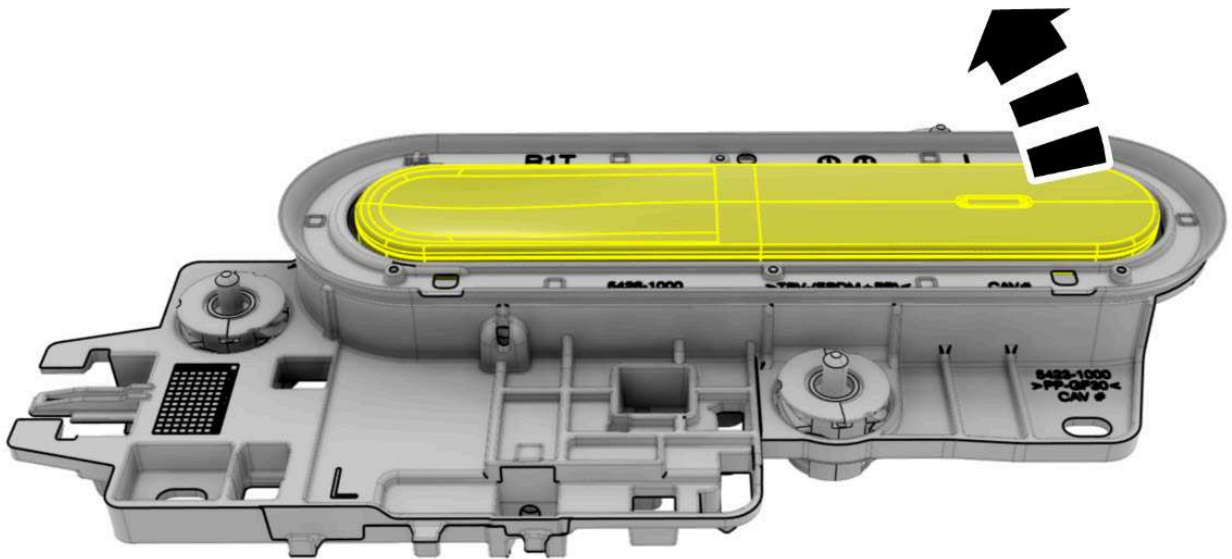
4. Transfer the highlighted item(s) to the new component.



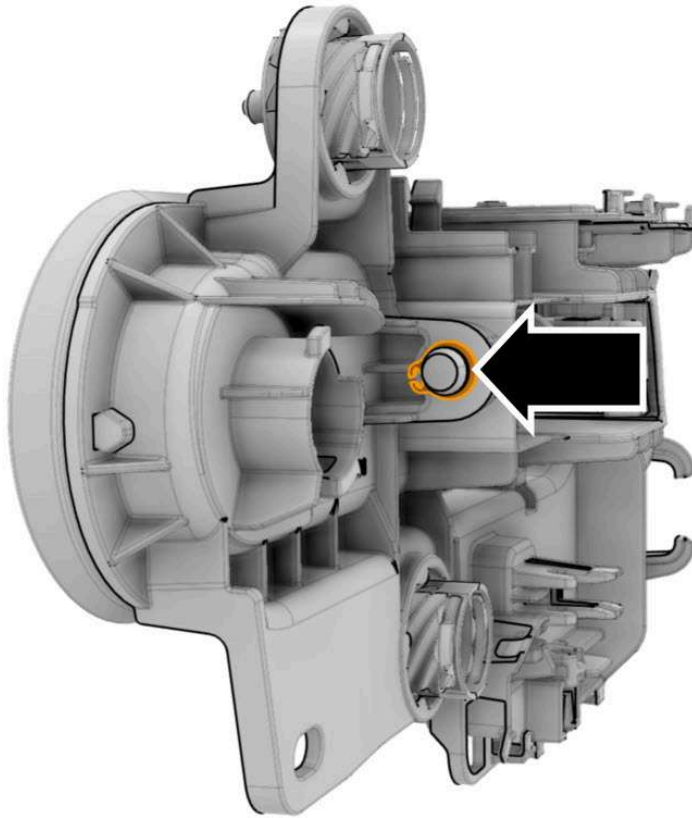
5. Install:



6. Using the special tools:

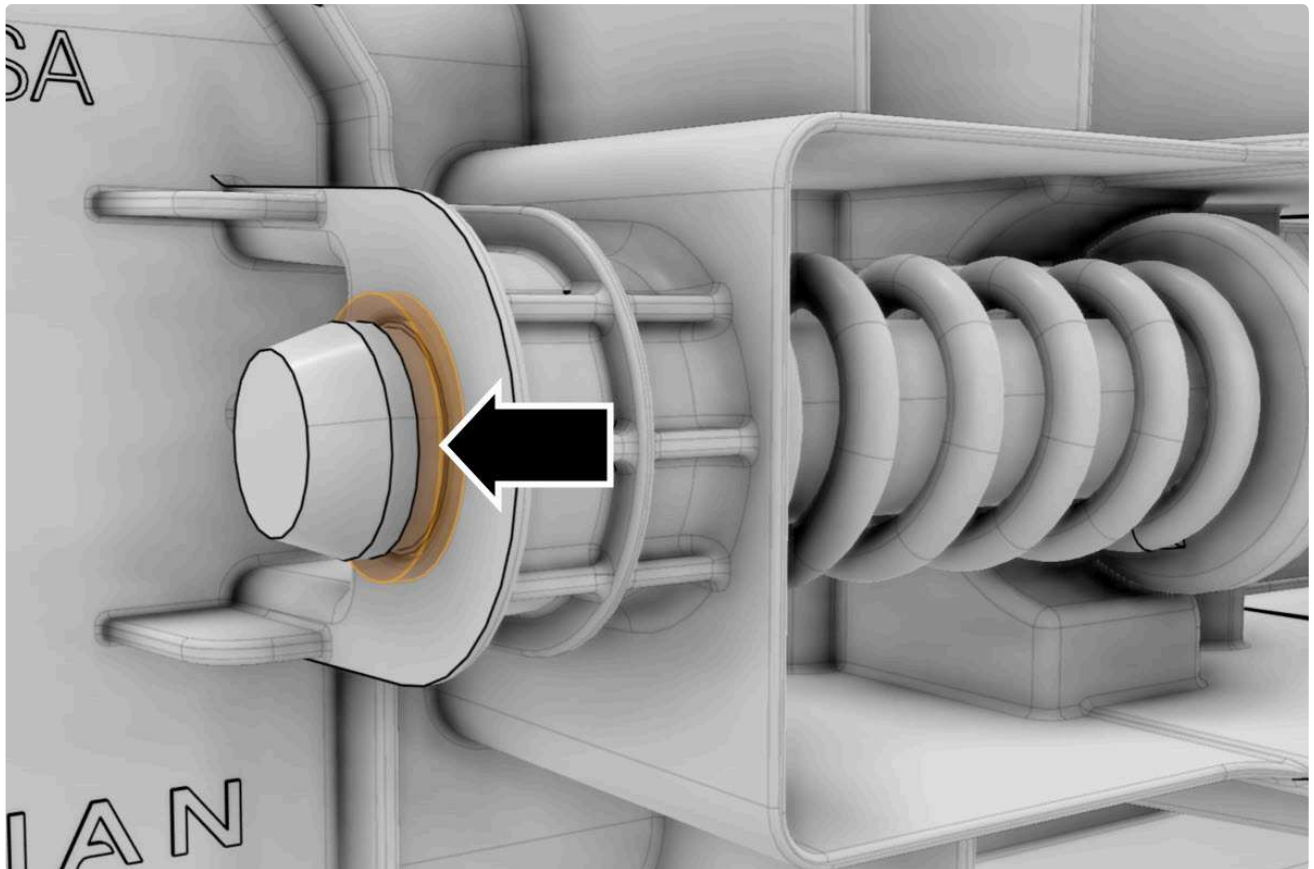


7. Install, using new component(s):

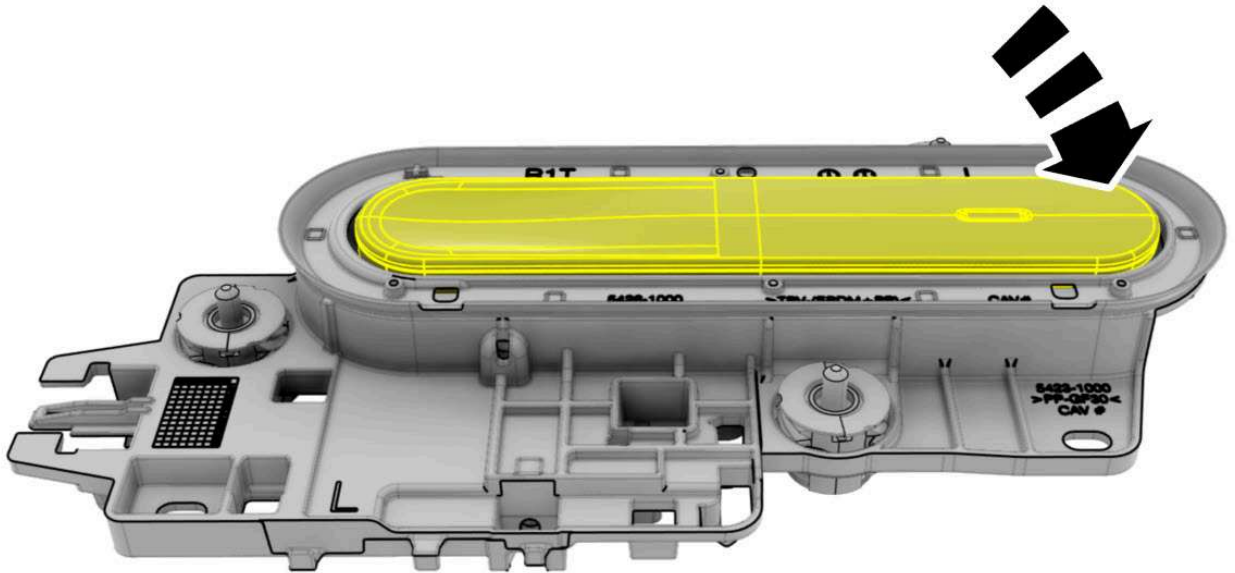


Note:

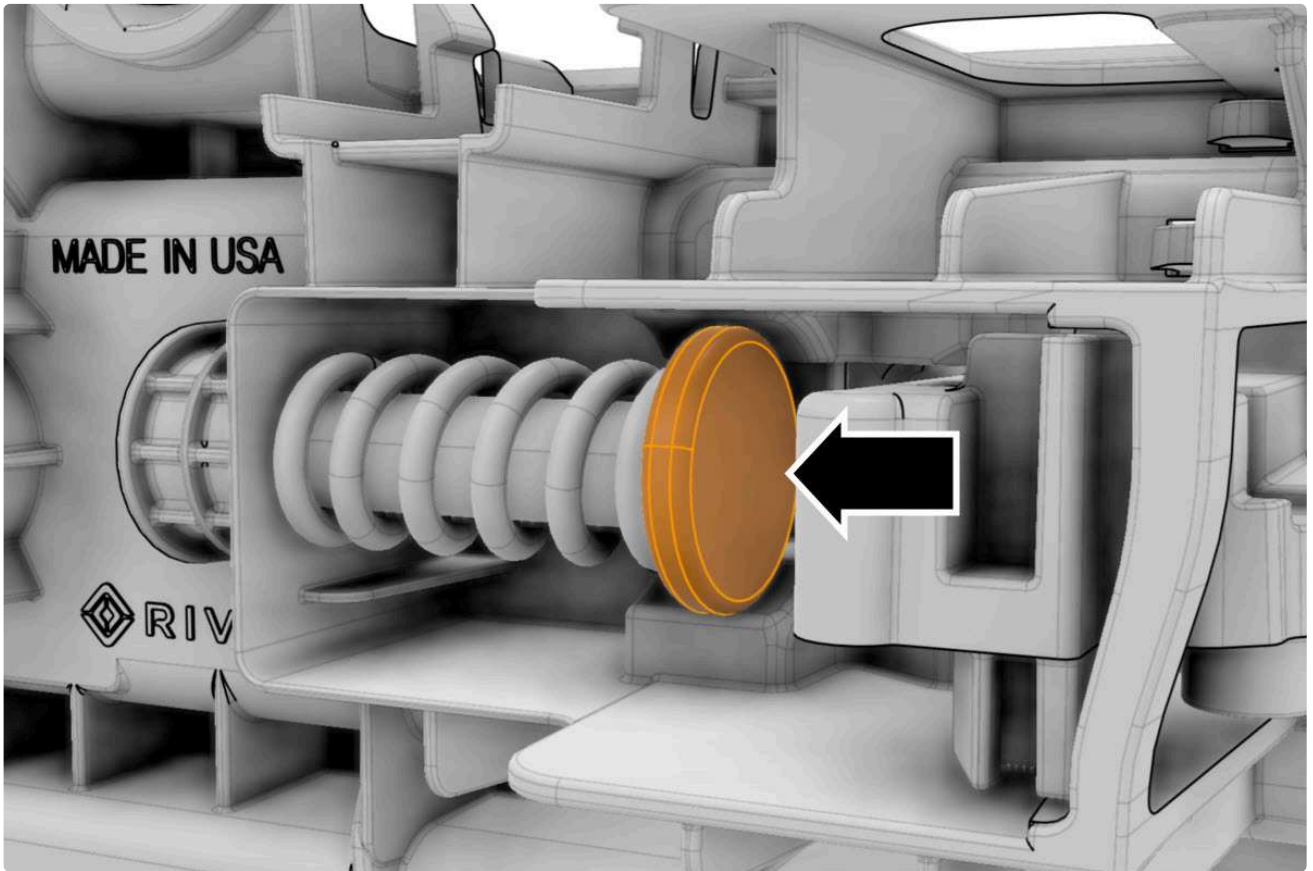
Make sure that the clip attaches to the indented section of the pin.



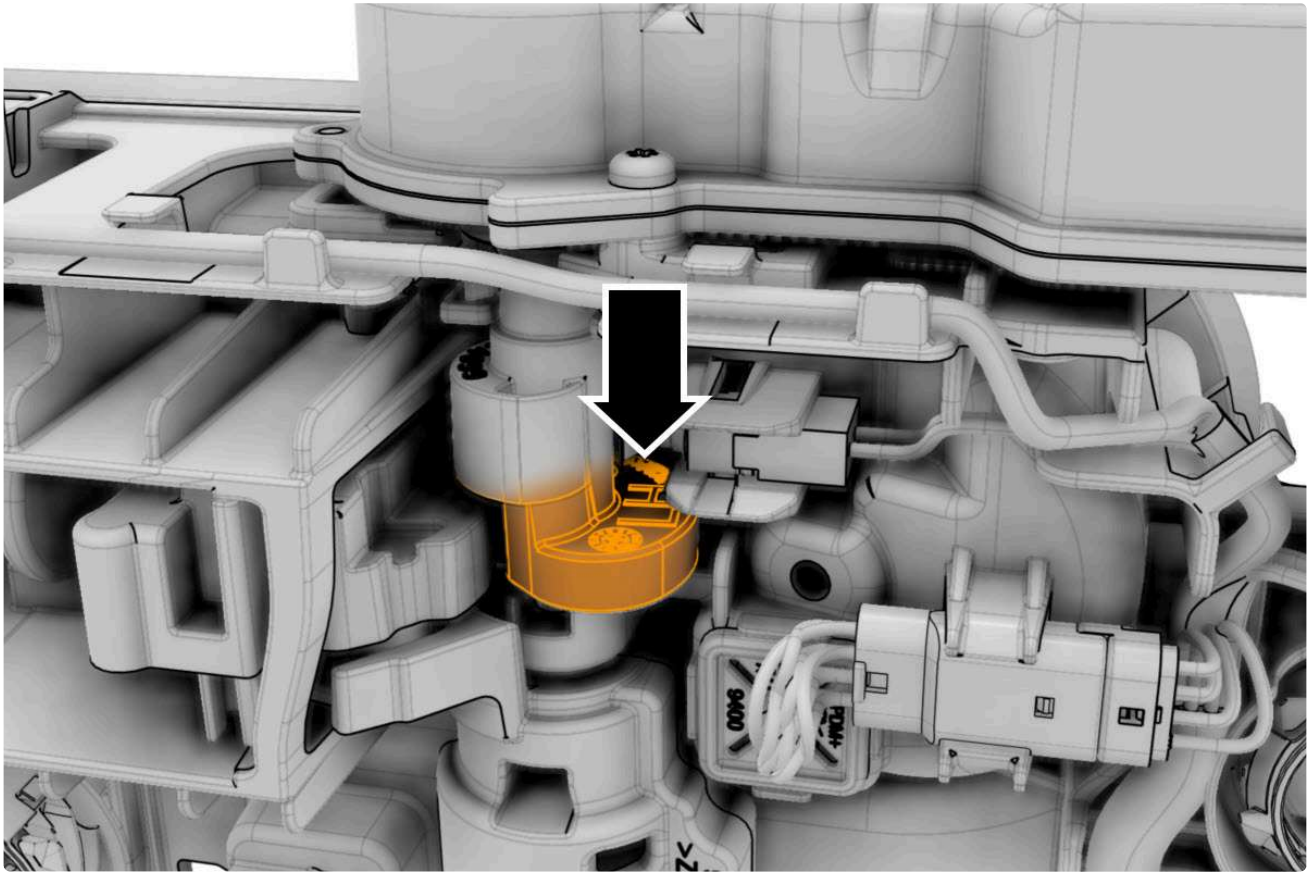
8. Using the special tools:



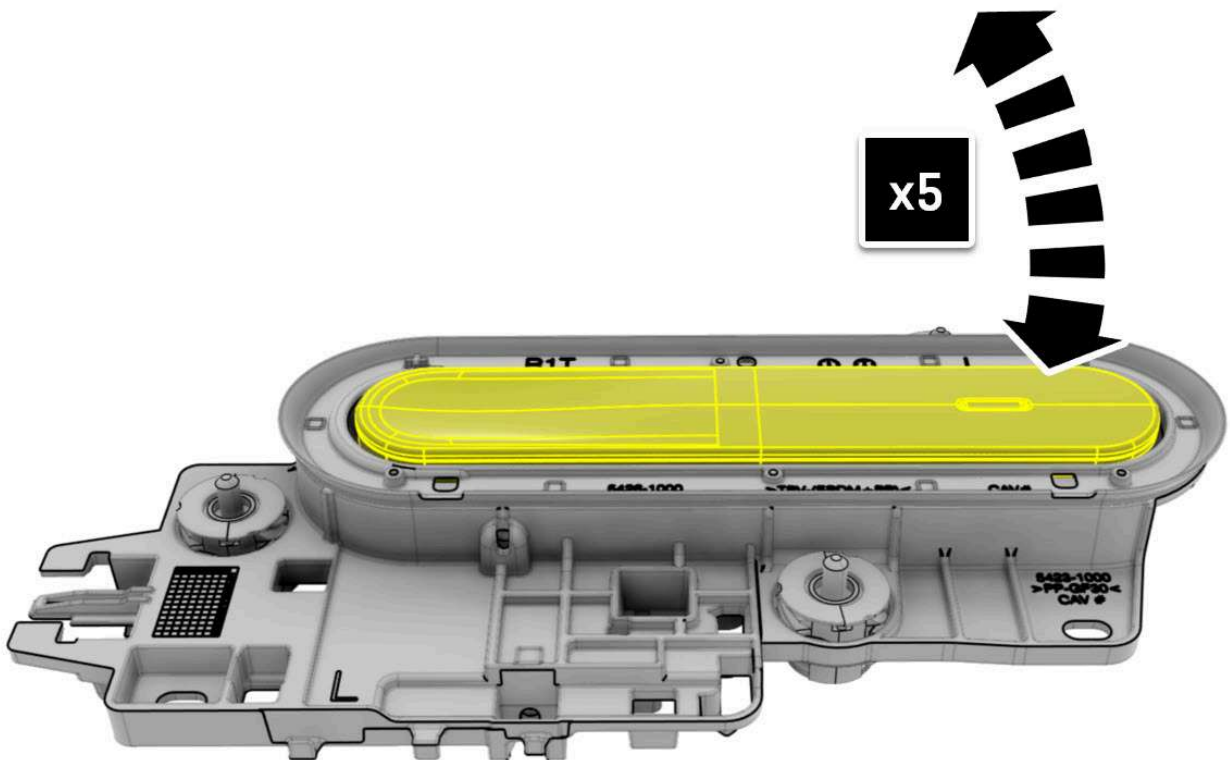
9. Apply grease to the highlighted area(s).



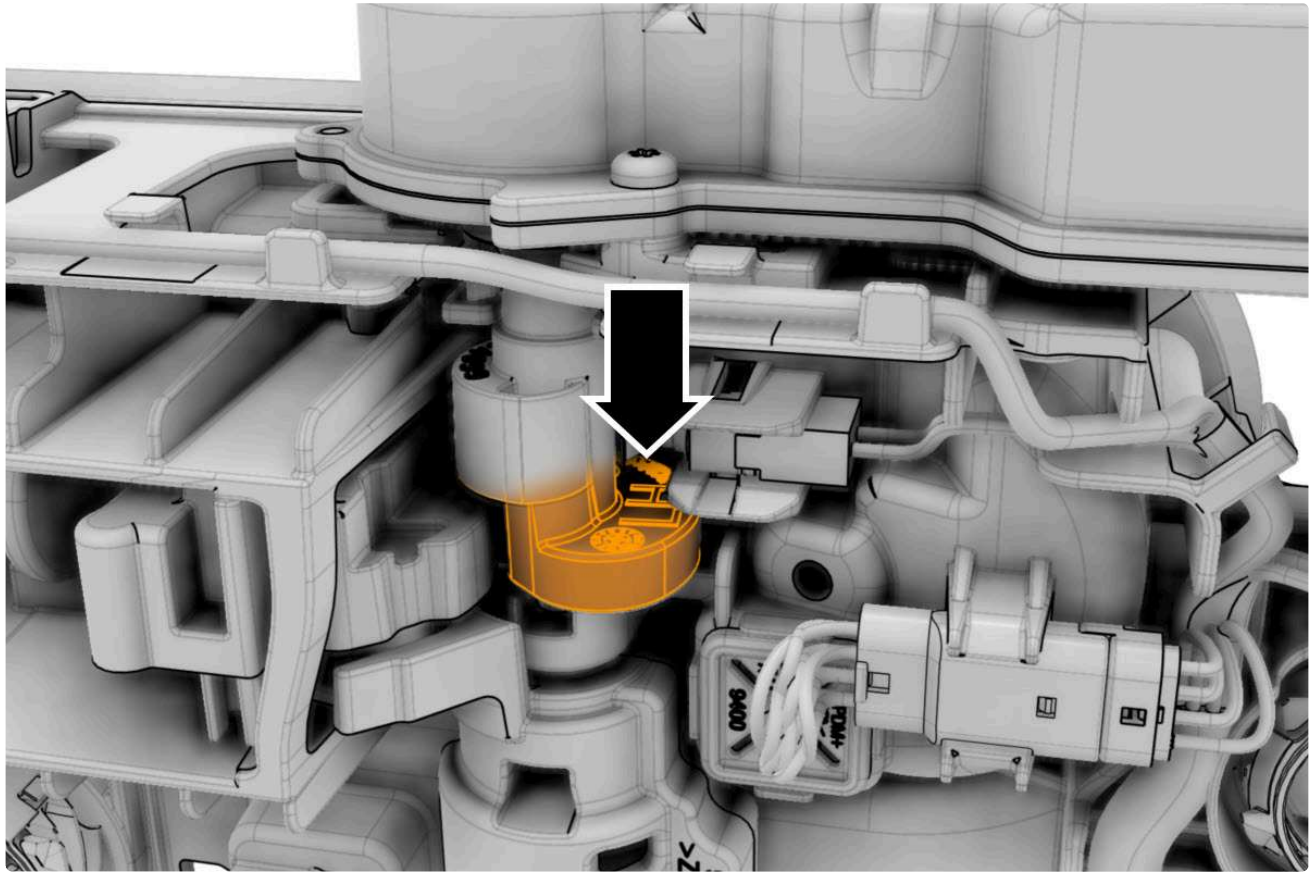
10. Apply grease to the highlighted area(s). Use 3-4 grams. Open the door handle as needed to apply all grease to any moving components.



11. Using the special tools:



12. Make sure that the grease fully covers the highlighted area:



13. Perform: [RSB-93-26-001-1: Door Trim Panel Noise and Vibration](#).

Note:

The labor time for this linked procedure is not included. If necessary: Add the additional labor code for this linked procedure to the work order.

14. Reinstall all components that were removed for access and replace all non-reusable components. Refer to the service manual procedures referenced in this document for additional component reusability information and torque specifications.

Labor Codes

Labor Code	Description
RSB562600201	Rework exterior door handles to prevent squeaking
<i>Contact ServiceDocumentFeedback@rivian.com regarding labor codes and document content.</i>	

[Download a PDF copy of this document.](#)