

RSB-93-26-001-1: Door Trim Panel Noise and Vibration

Rivian is launching a technical service bulletin for some model year 2022-2026 R1T and R1S vehicles that may be prone to noise and/or vibration from the door areas, particularly buzzing and rattling sounds. This results in a perceived quality issue. Upon customer complaint of noise from any door trim panel, Rivian will modify several door trim panel components to alleviate the condition.

Document Type	Technical Service Bulletin
Date	April 16, 2026
Affected Region(s)	USA, Canada
Affected Model(s)	R1T, R1S
Model Year(s)	2022-2026
Approximate Build Dates	September 2021-October 2025
Note: Refer to the TSB Guide Dashboard to determine if this document applies to a specific vehicle.	
Vehicle System	93 - Noise Vibration and Harshness

Required Parts

Part Number	Quantity	Engineering Name	Service Name/Notes
PT01448076-A	As needed	Kluber MR3-500 Lubricant (1mL)	Kluberalfa MR 3-500
PT01200978-A	As needed	ARV7100 Felt Tape (2" W- 120" L- 0.6mm thk)	0.6 mm thick felt tape
PT01597184-A	As needed	PET FELT TAPE (2" W- 120" L- 2mm thk)	2 mm thick felt tape
Refer to the parts catalog for part number and inventory information.	As needed		Clips for door trim panels
PT01597182-A	As needed	FLOCK TAPE (2" W- 120" L- 1mm thk)	1 mm thick flock tape
Model year 2025+ vehicles:			
PT01698820-A	2	WATERSHIELD FOAM	

Attention:

The parts listed in this table are only for unique steps that are called out in this bulletin. Some sections of this bulletin might refer to Service Manual procedures which require additional parts. Always review the bulletin and all potentially related Service Manual procedures before ordering parts and beginning work.

Door Disassembly

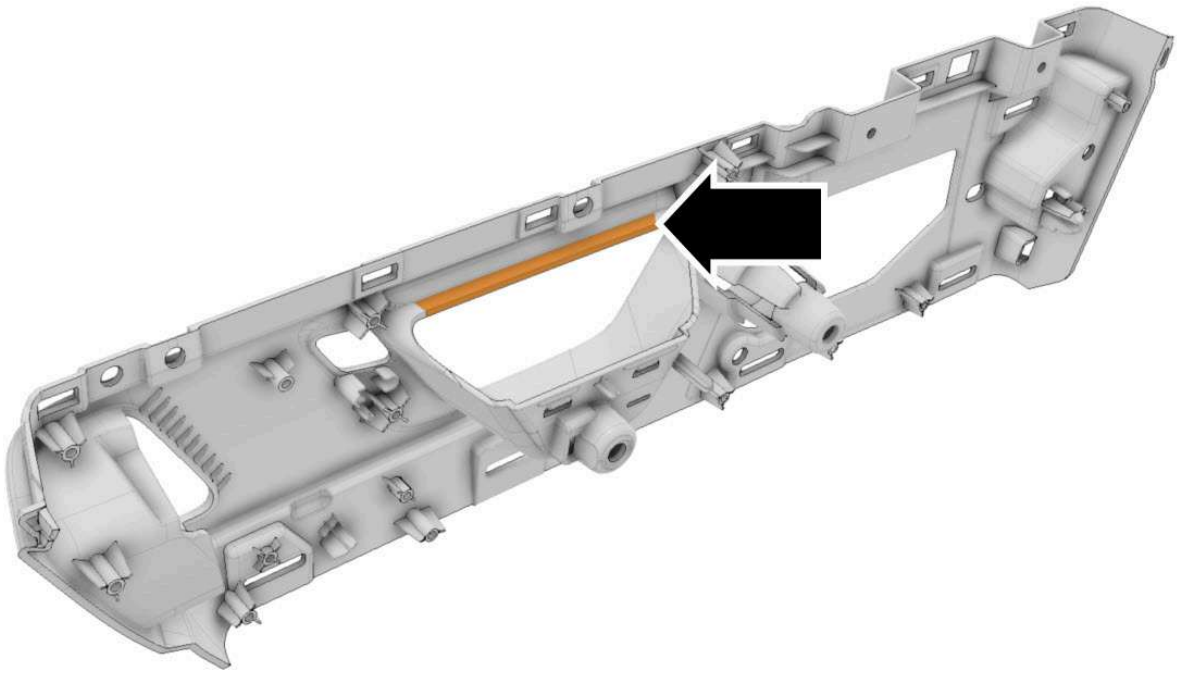
- Disassemble all 4 door trim panels. Refer to the following service manual procedures:
 - LH front:** Refer to: 783410010 Switch, Window, Front, LH (Remove and Replace)
 - RH front:** Refer to: 641915111 Trim, Armrest, Front Door, Upper, RH (Remove and Reinstall)
 - LH rear and RH rear:** Refer to: 641918011 Trim, Armrest, Rear Door, Upper, LH (Remove and Reinstall)
- Continue to the next section.

Trim Panel Rework

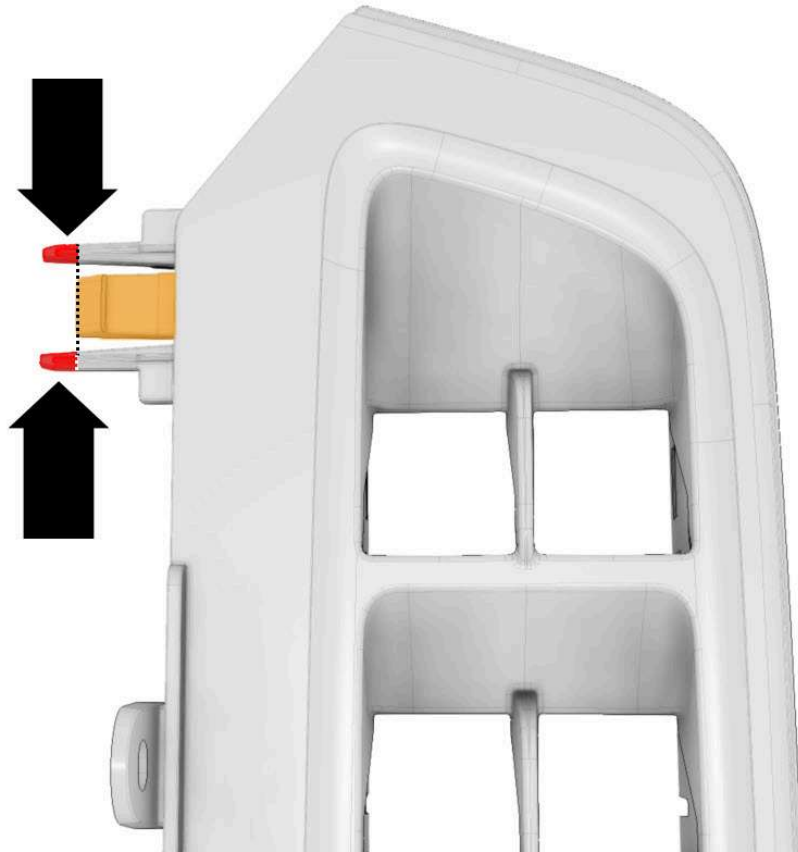
Note:

LH Front door shown. Perform the steps in this section on all 4 doors.

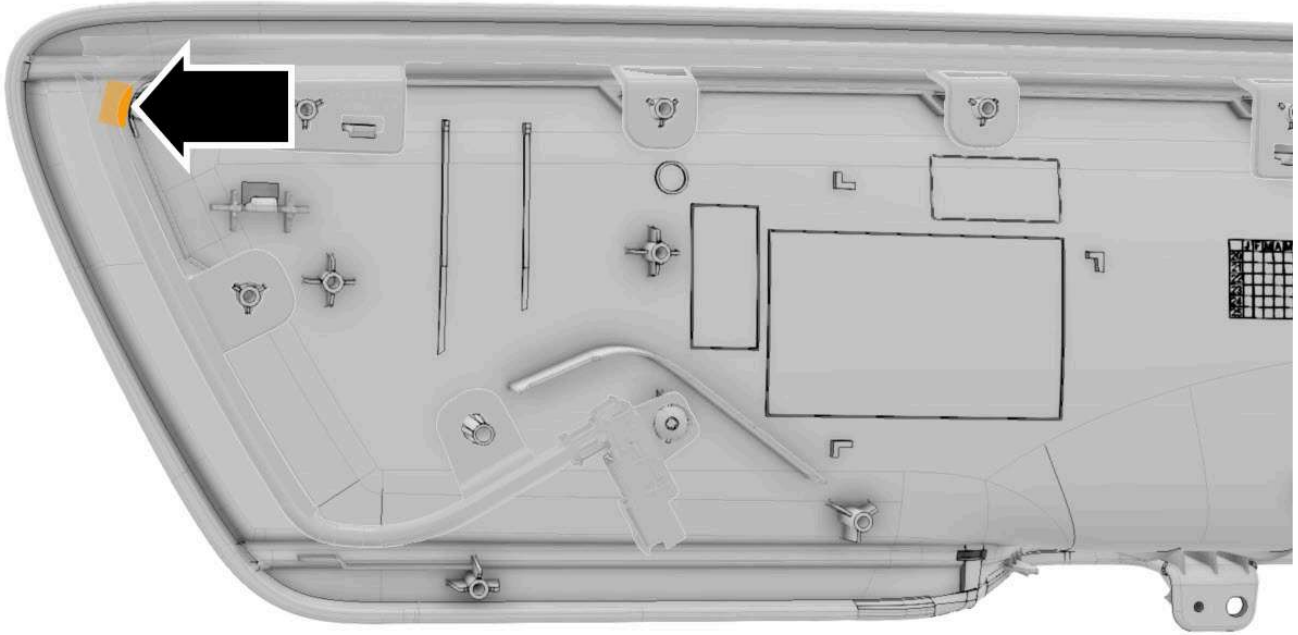
1. On the removed component(s): Using 0.6 mm thick felt tape: Apply tape as shown.



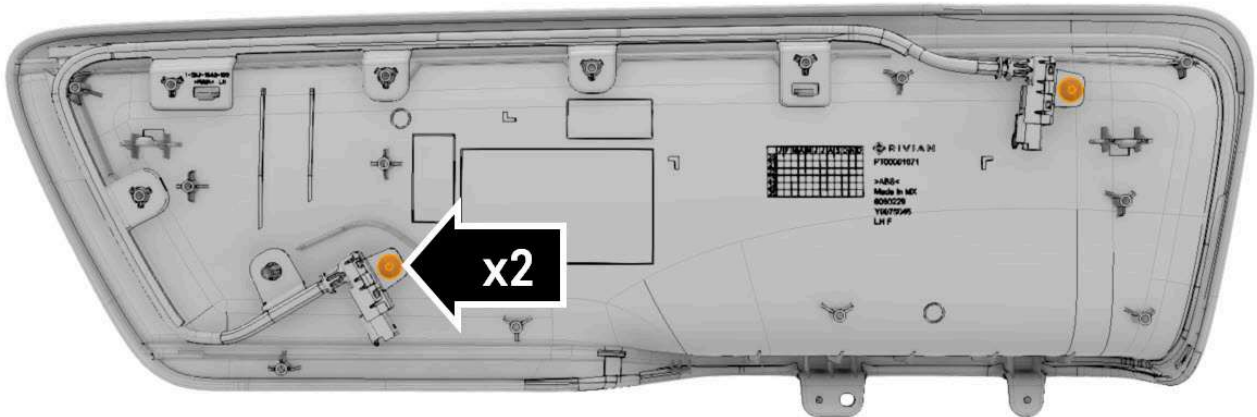
2. On the removed component(s): Using wire cutters: Remove:



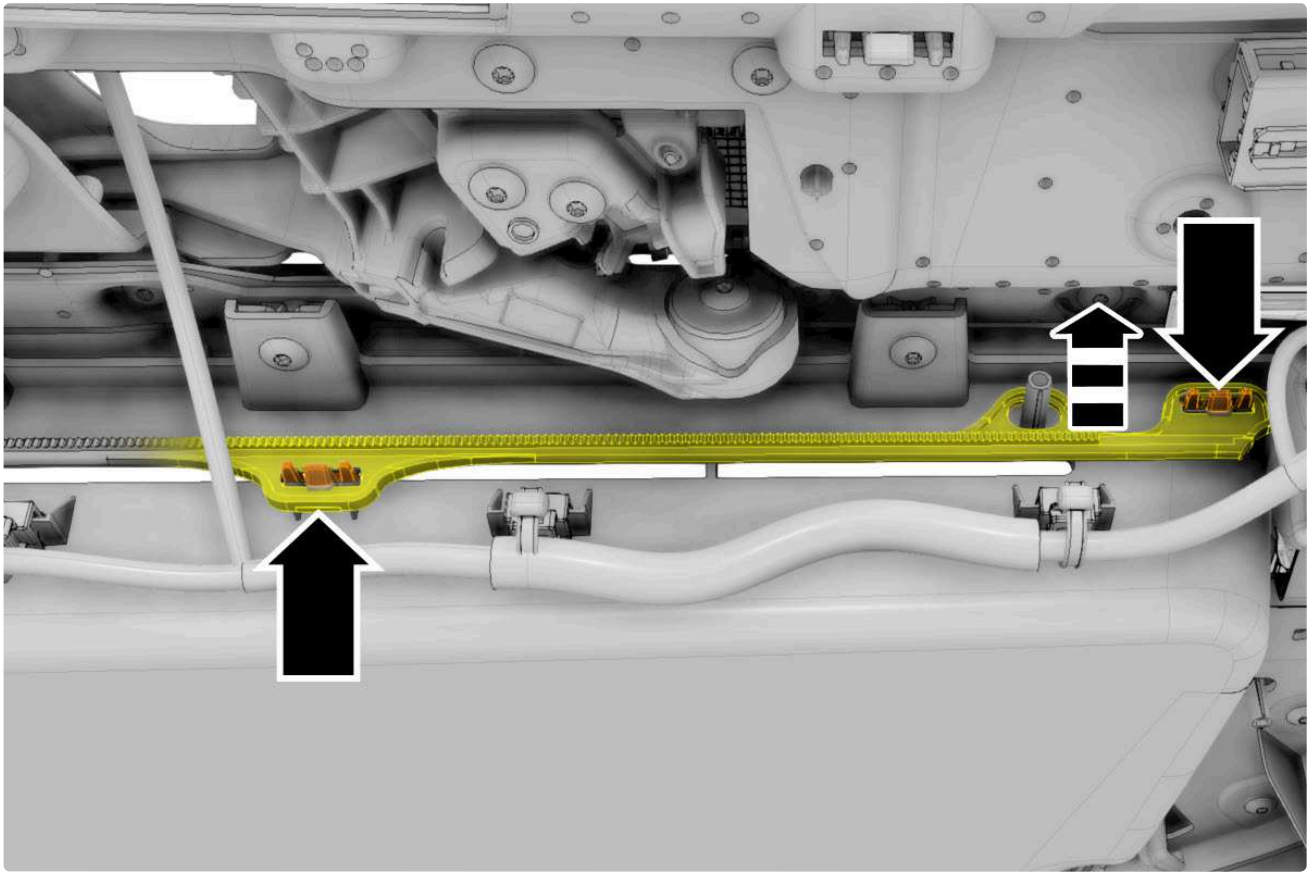
3. On the removed component(s): Using 0.6 mm thick felt tape: Apply tape onto the trim panel as shown.



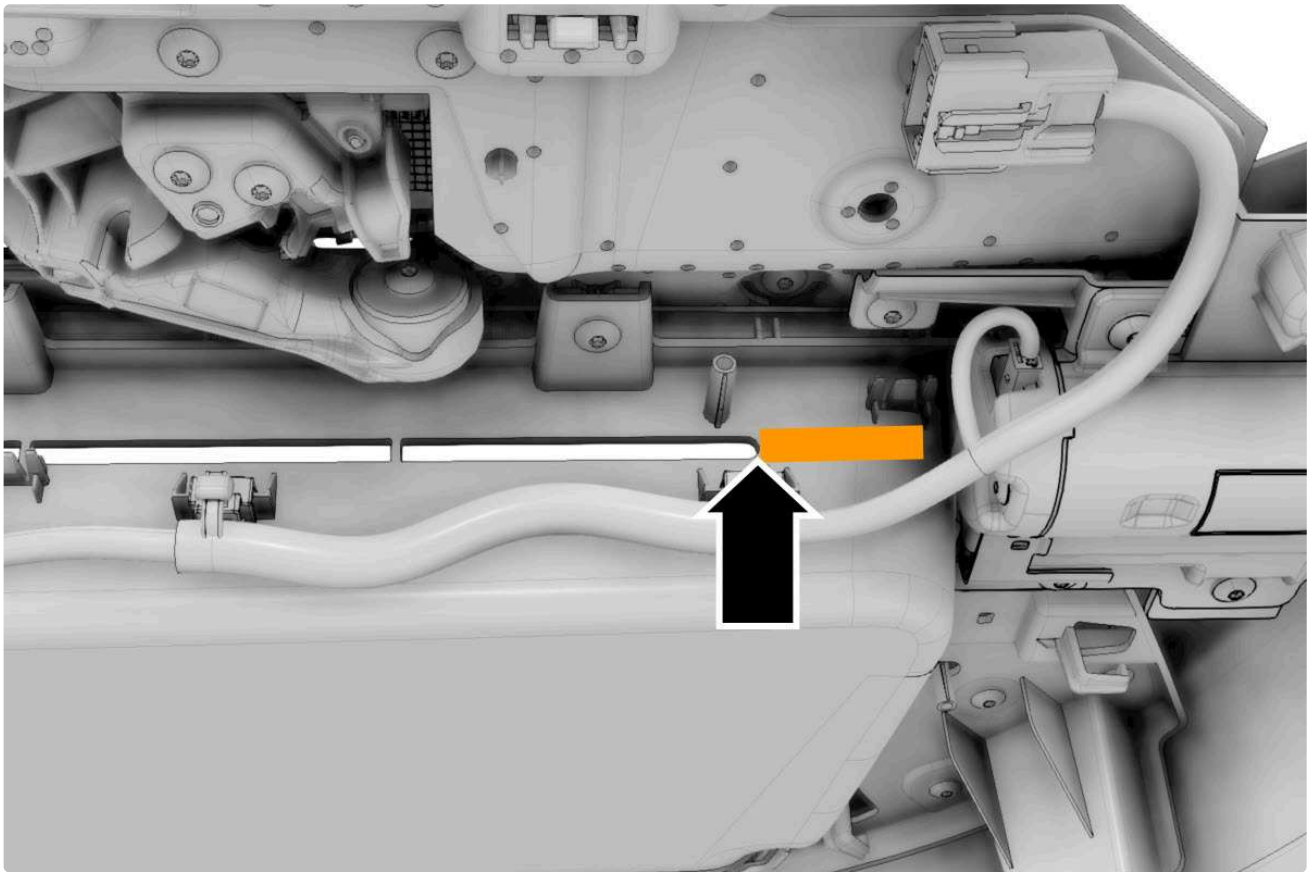
4. Re-torque the highlighted fasteners.



5. Release the highlighted tab(s).



6. Using 2 mm thick felt tape: Apply tape as shown.

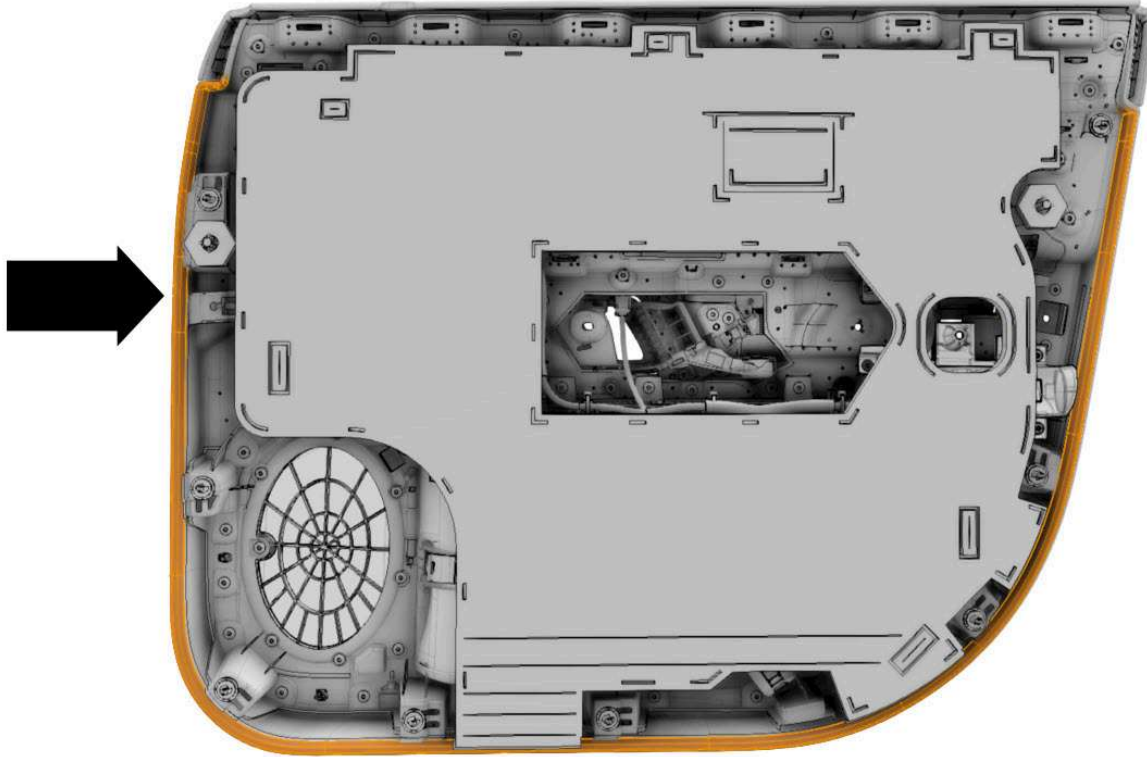


Note:

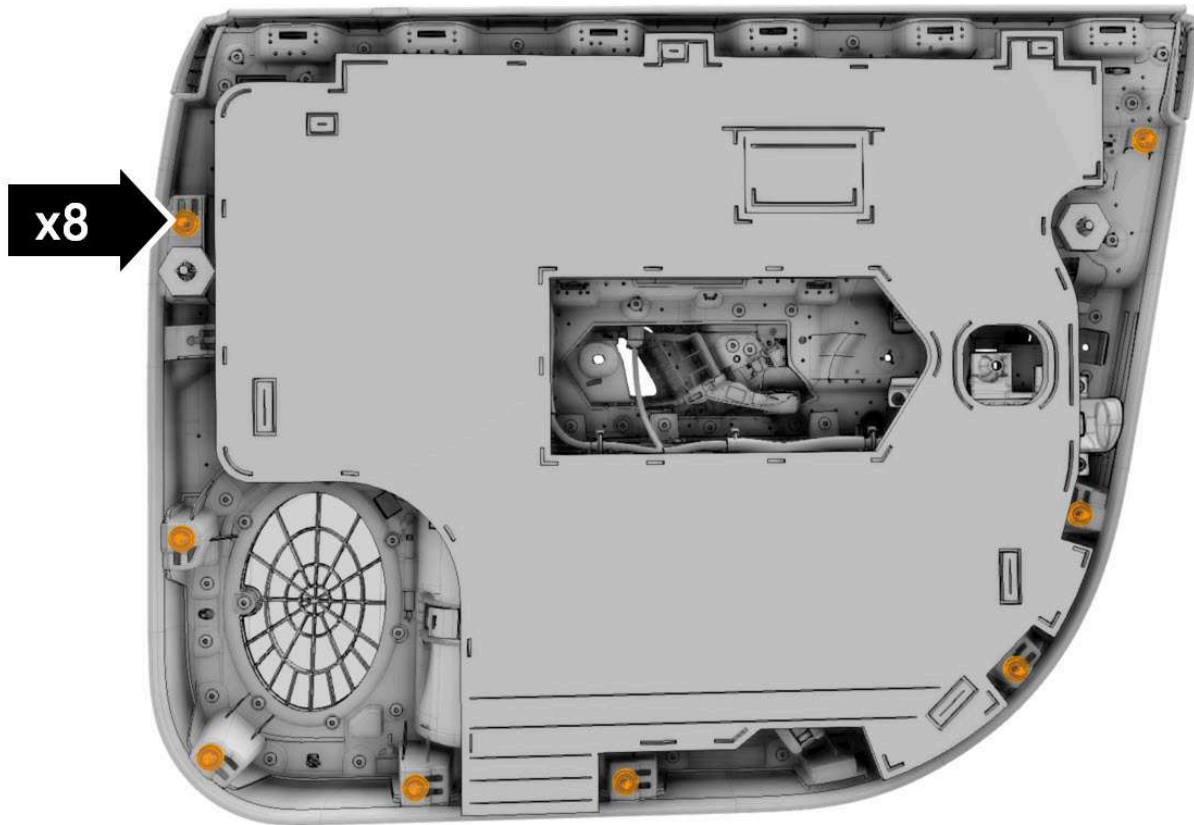
Align the tape so that it does not cover the hole in the component.

7. Apply a second layer of 2 mm thick felt tape on top of the first layer.

8. Using 0.6 mm thick felt tape: Apply tape to the highlighted area(s). Make sure that the tape is not visible from the front of the component. Cut and discard any excess tape.



9. Remove and discard:

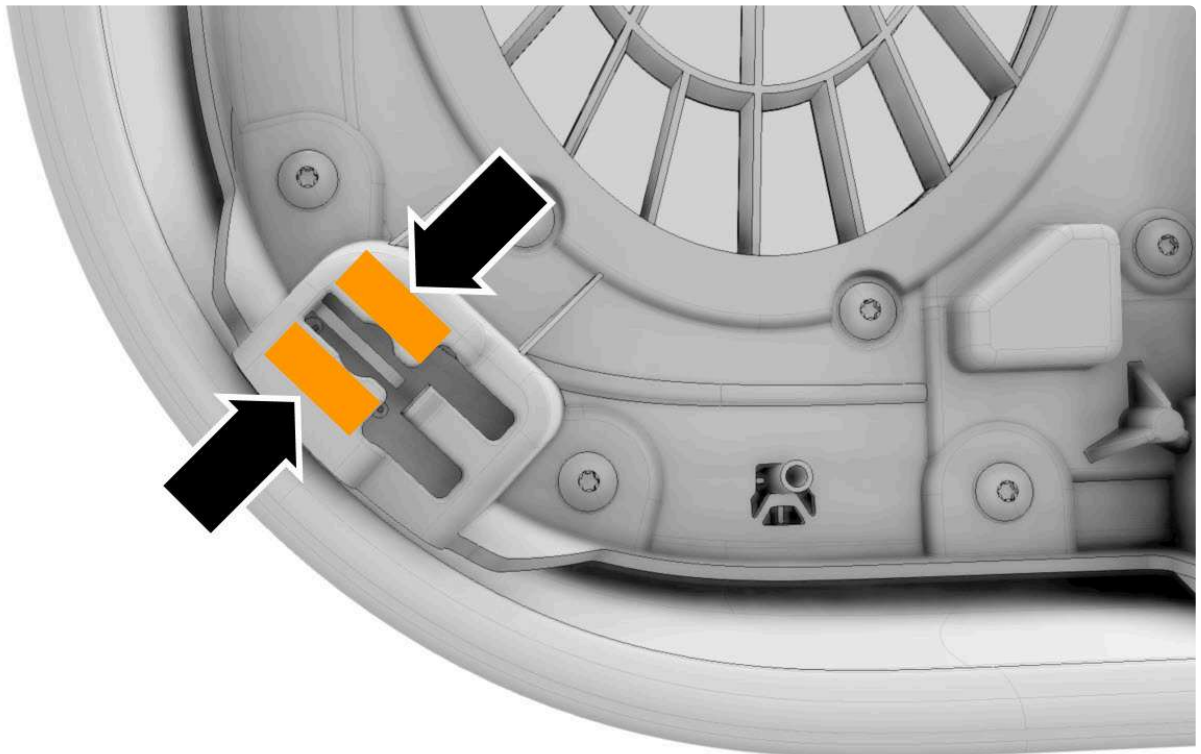


10. For all clip locations:

a. Clean the highlighted area(s). Use alcohol wipes or rubbing alcohol on a clean cloth.



b. Using 1 mm thick flock tape: Apply tape as shown. Orient the tape in relation to the clip housing as shown.

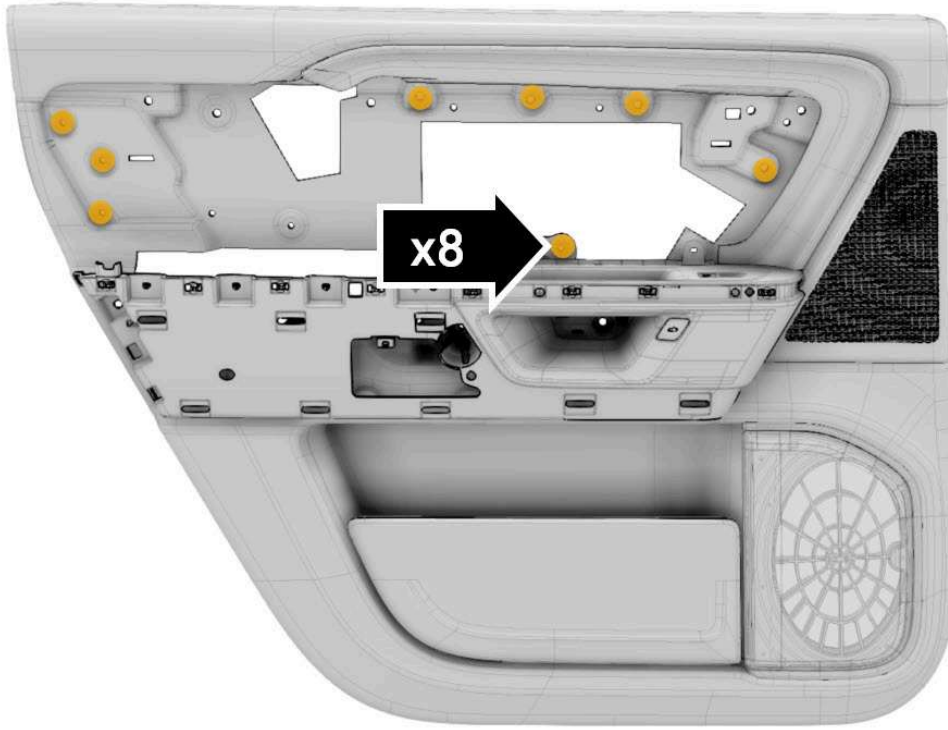


11. Install new clips.

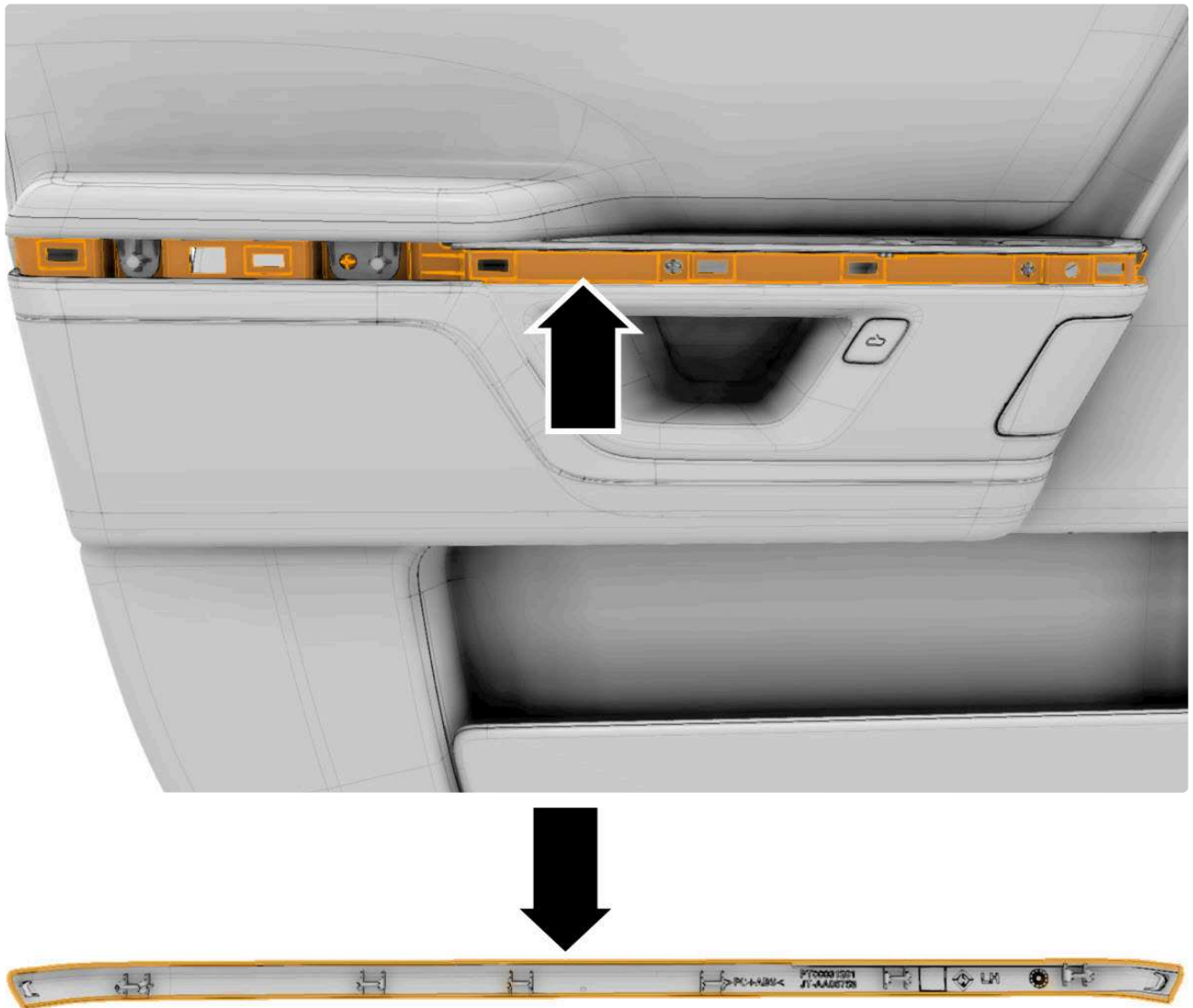
Note:

Refer to the parts catalog for part number and inventory information.

12. On the removed component(s): Using a disposable brush: Apply lubricant to the highlighted area(s).



13. Apply lubricant to the highlighted areas:



14. Wipe up any excess lubricant.

15. Continue to the next section.

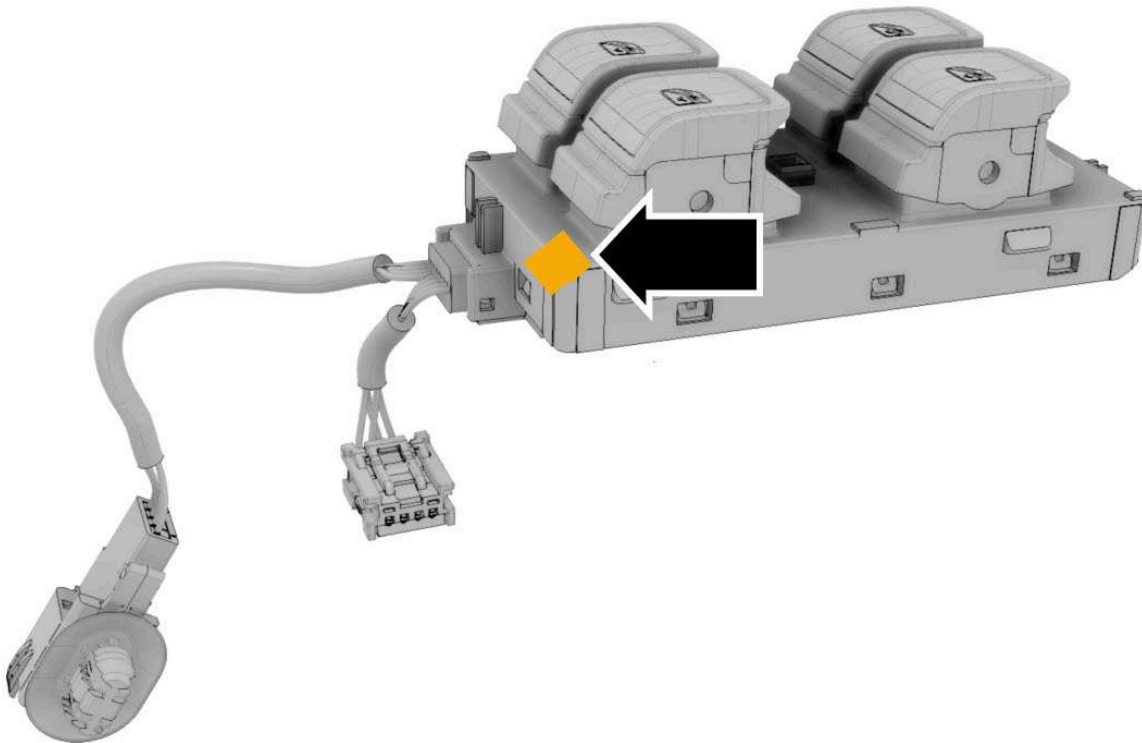
Torque specifications in this section

Step Number	Torque (Nm)
4	1.2

LH Front Door Rework

Perform the steps in this section on the LH front door only.

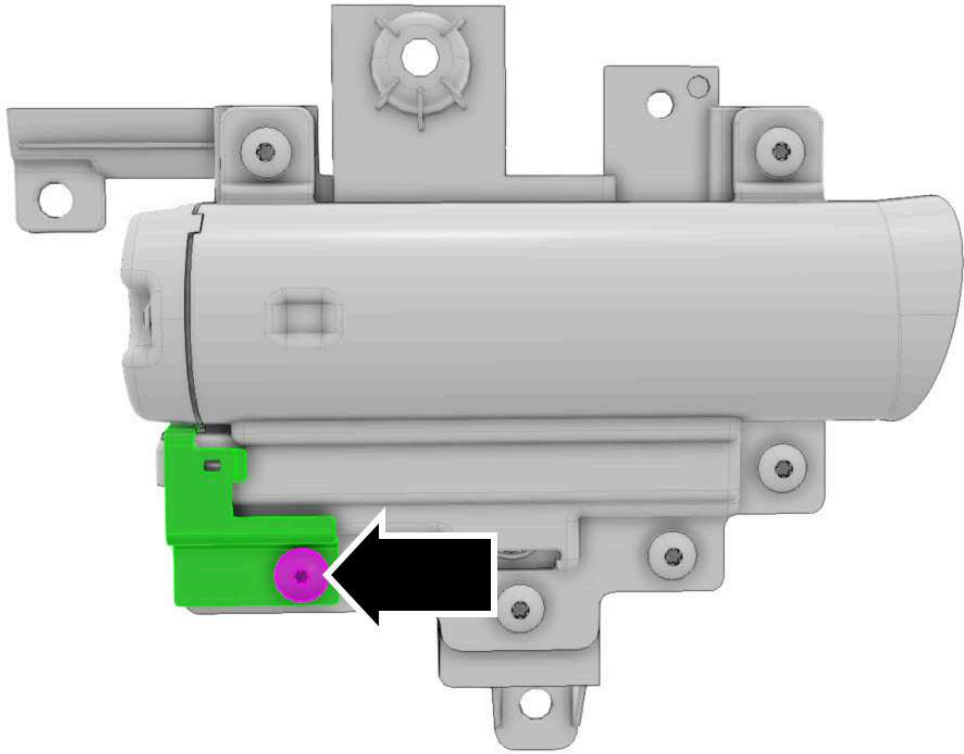
1. On all 4 corners of the previously removed component **Switch, Window, Front, LH**: Using 0.6 mm thick felt tape: Apply tape as shown.



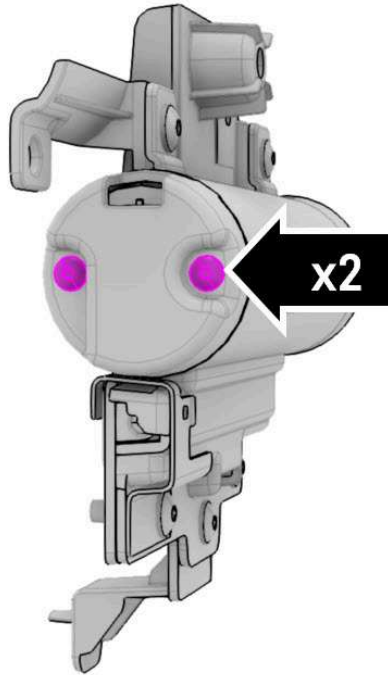
Note:

Perform the remaining steps in this section on the previously removed component **Module, Flashlight Cradle**.

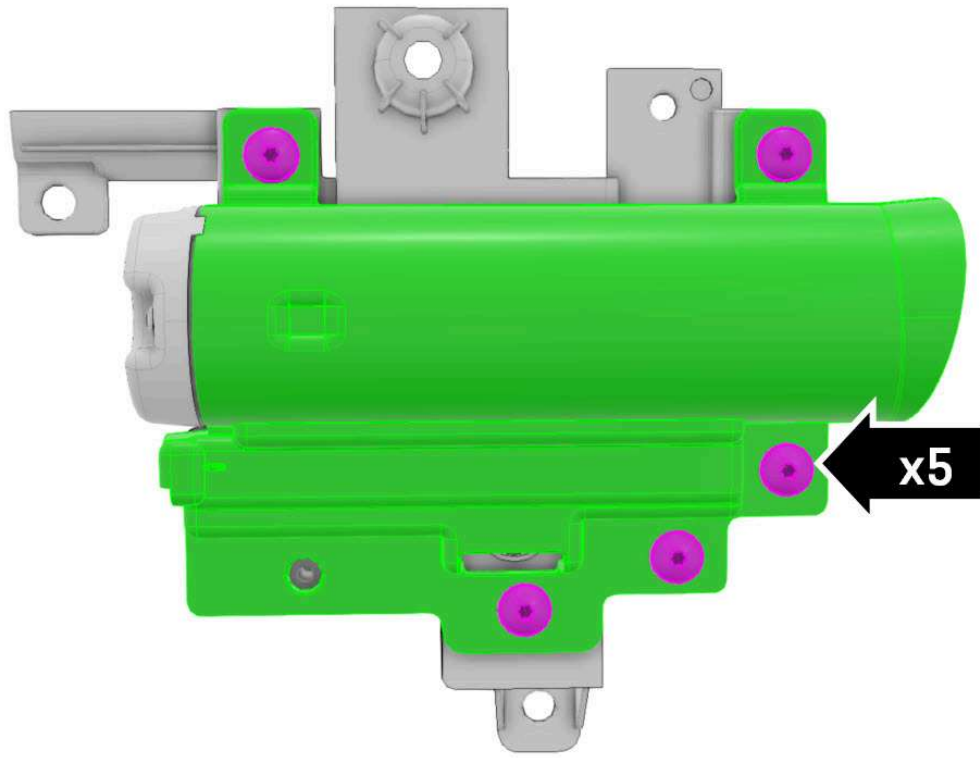
2.



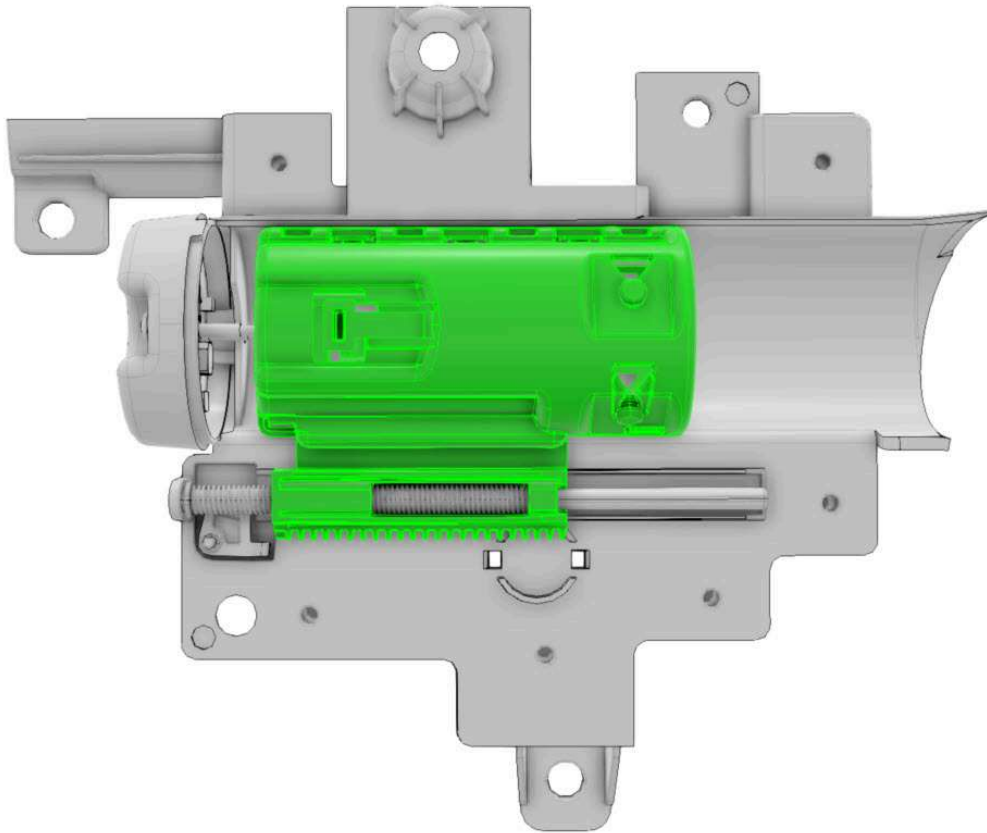
3.



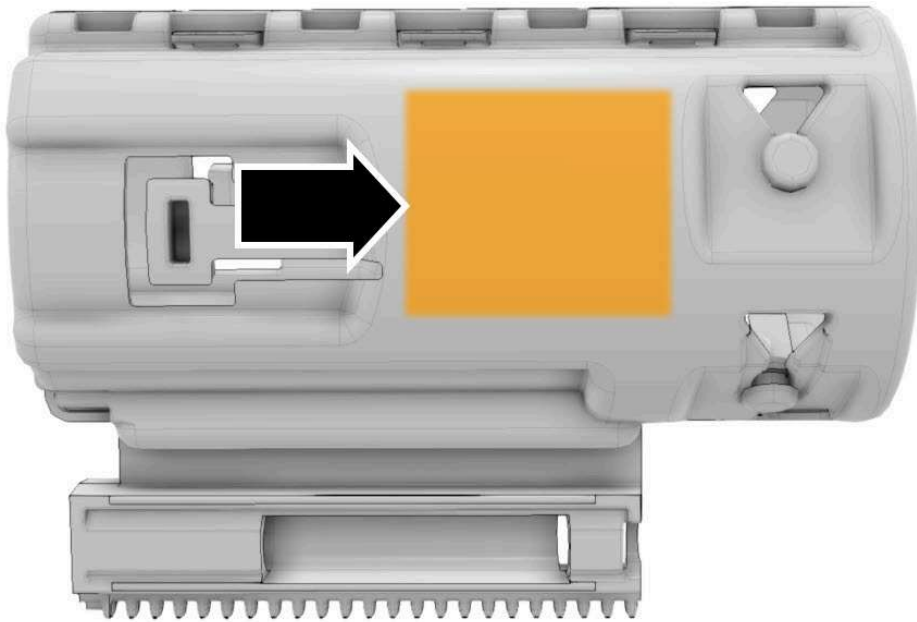
4.



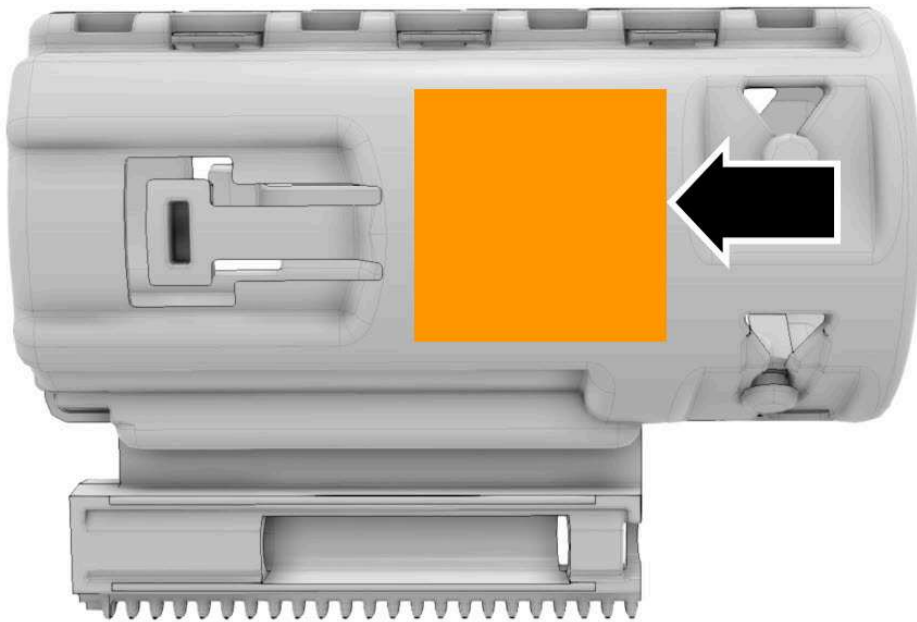
5.



6. Clean:

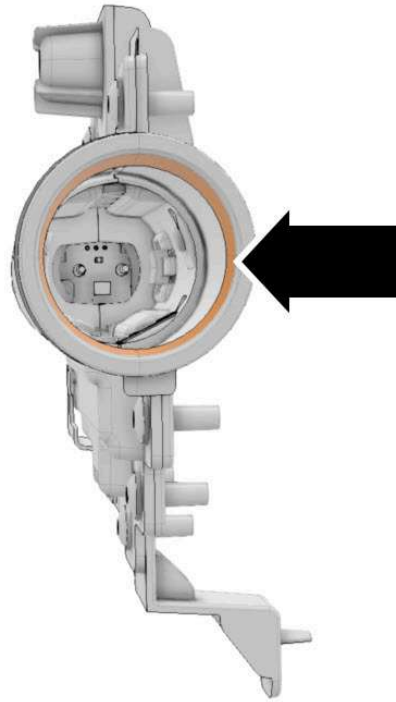


7. Using 0.6 mm thick felt tape: Apply tape as shown.



8. Reassemble the component.

9. Using 0.6 mm thick felt tape: Apply tape as shown.



10. Continue to the next section.

Torque specifications in this section

Step Number	Torque (Nm)
2	1.2
3	1.2
4	1.2

LH and RH Front Door Specific Rework

Note:

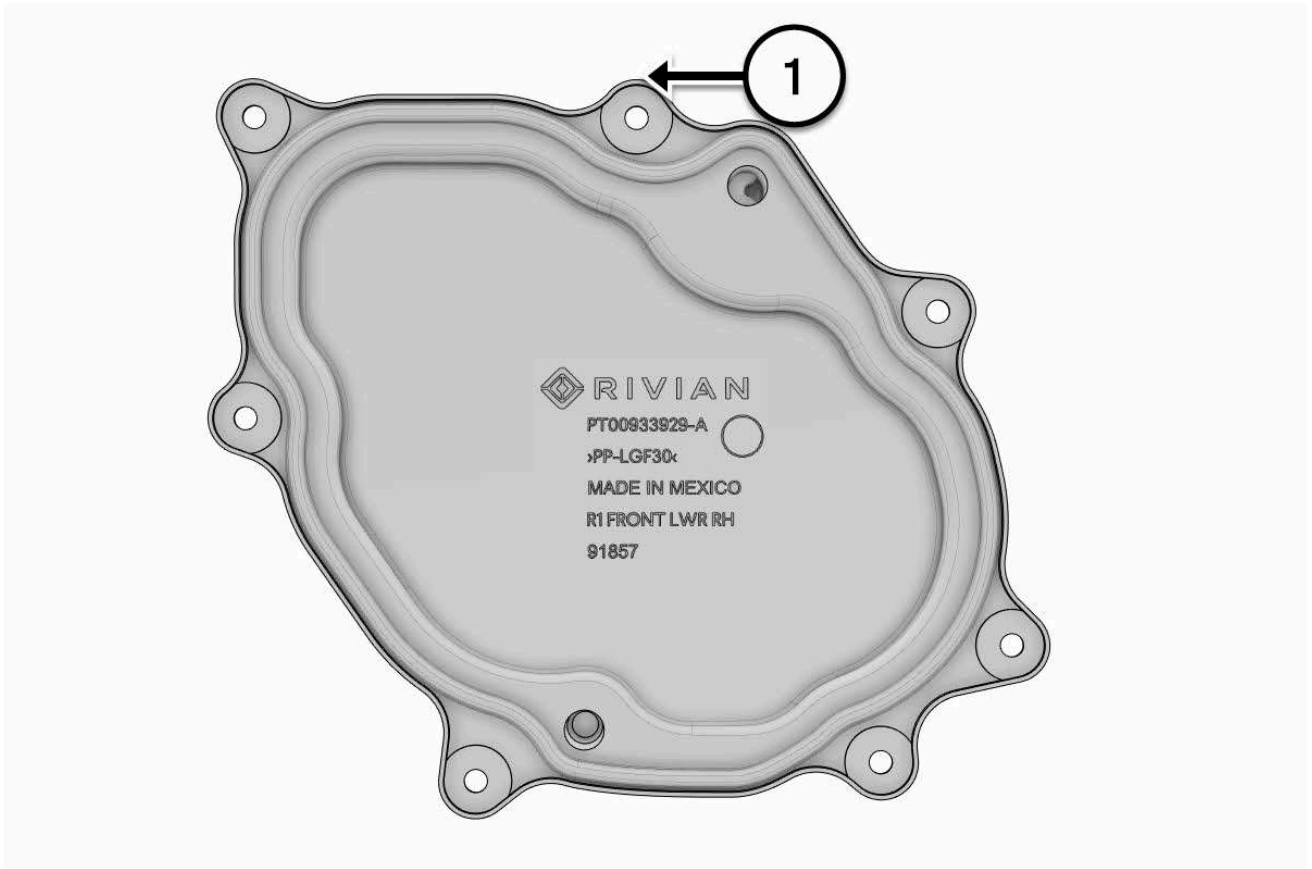
This section only applies to model year 2025+ vehicles.

Note:

Perform the steps in this section on the LH and RH front doors.

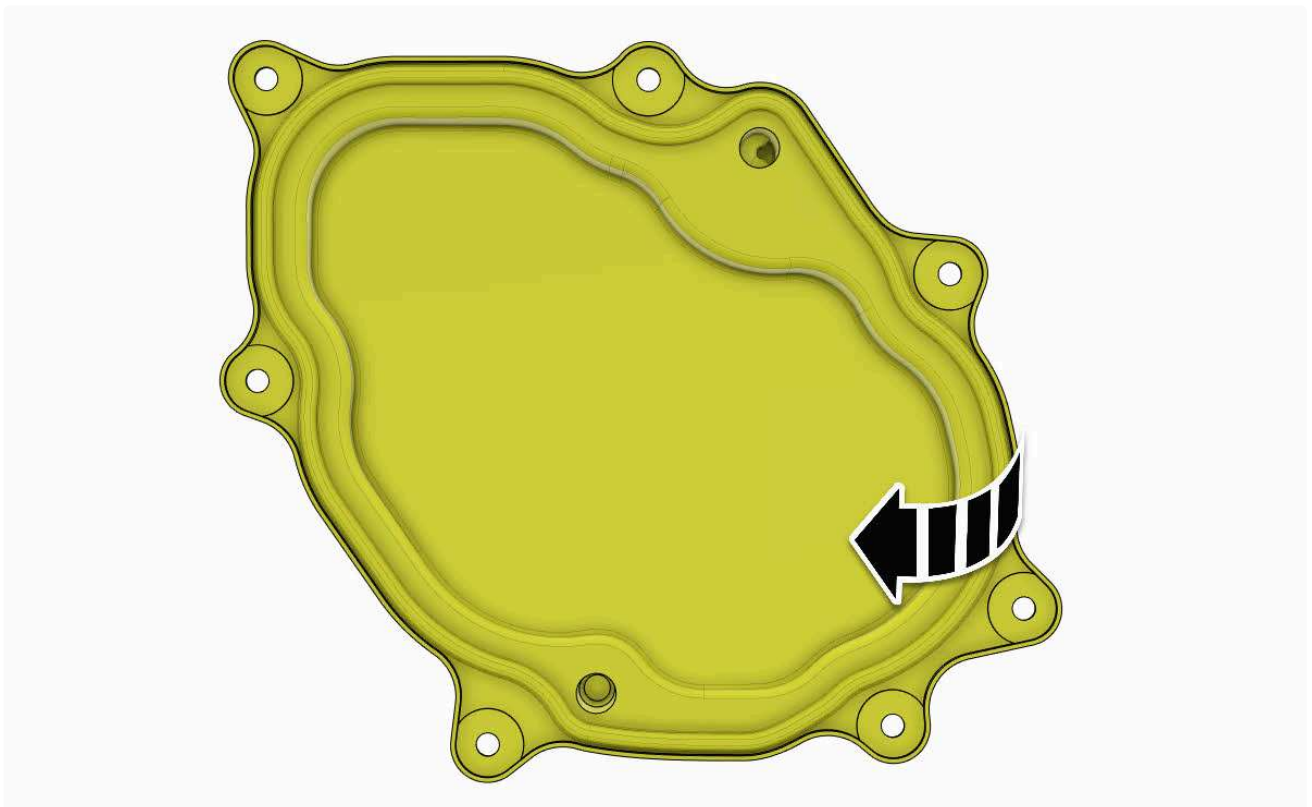
1. Remove: Shield, Water, Lower, Front Door (refer to service manual procedure 566061010).

2. Position the component(s) as shown.

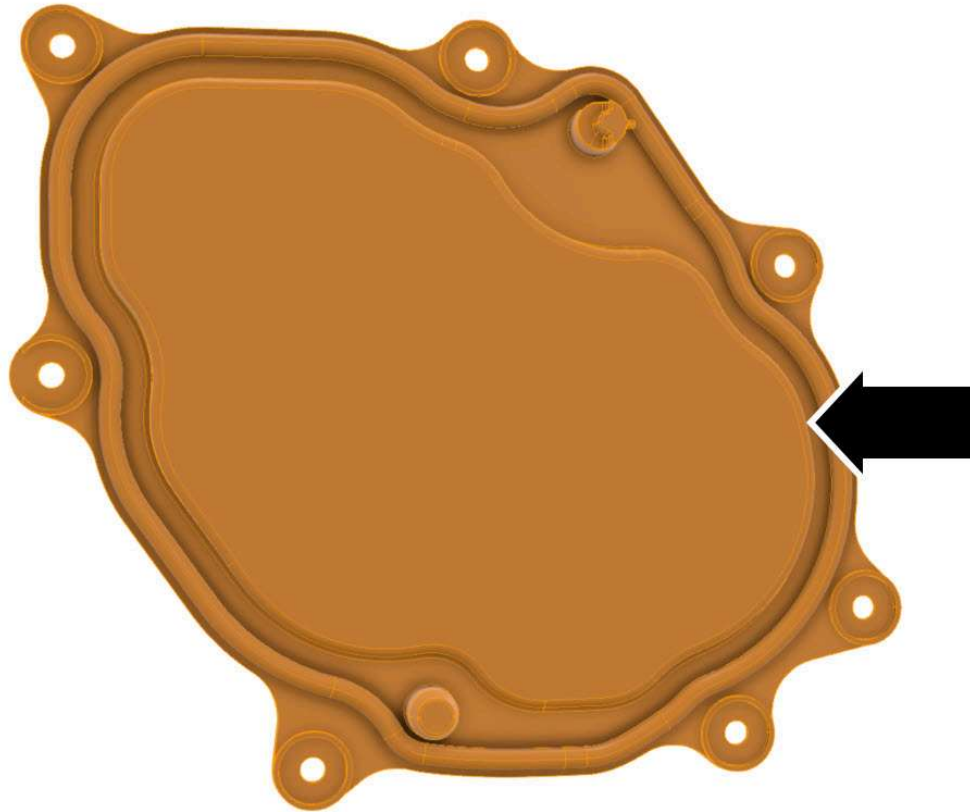


1	Top of the component
---	----------------------

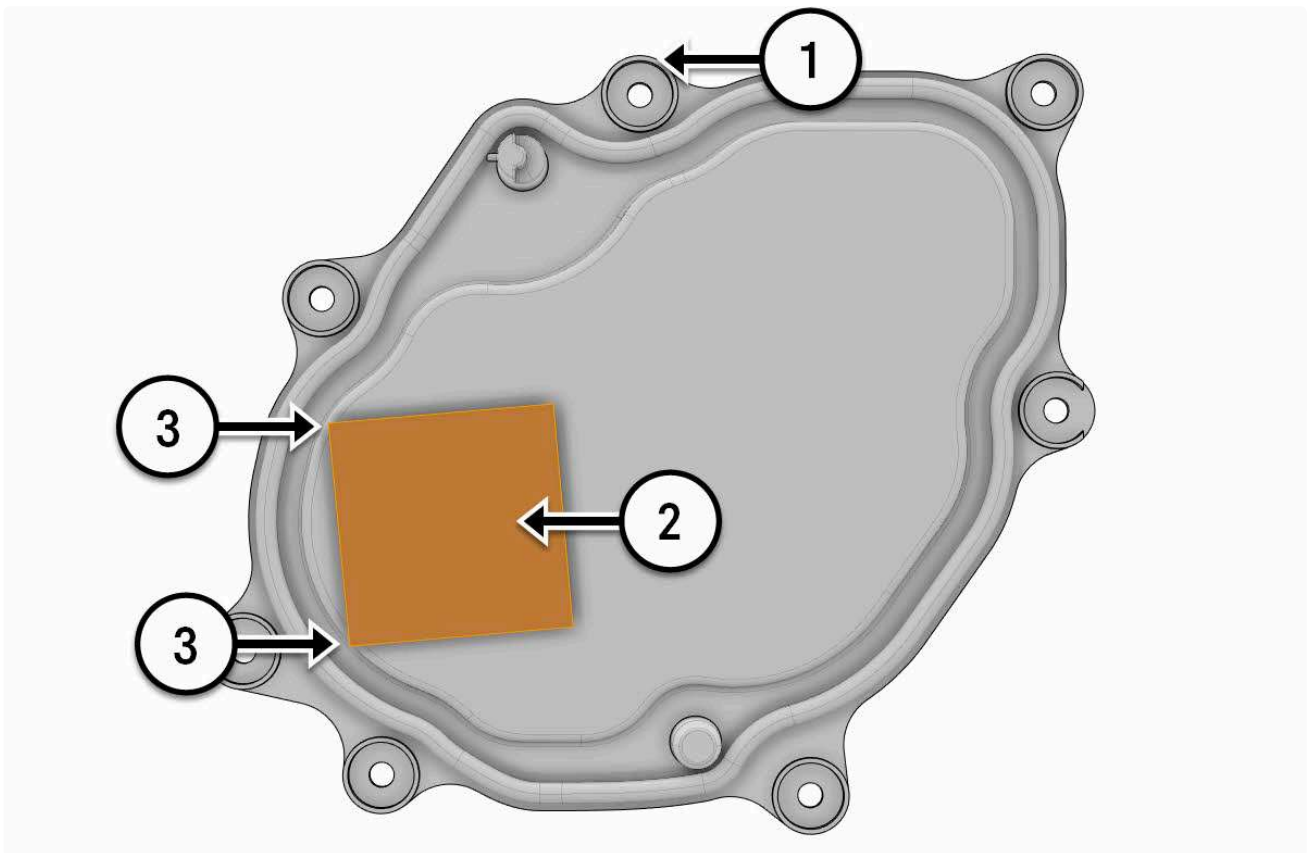
3.



4. Clean the highlighted area(s). Use alcohol wipes or rubbing alcohol on a clean cloth.



5. Attach:



1	Top of the component
2	Foam

6. Continue to the next section.

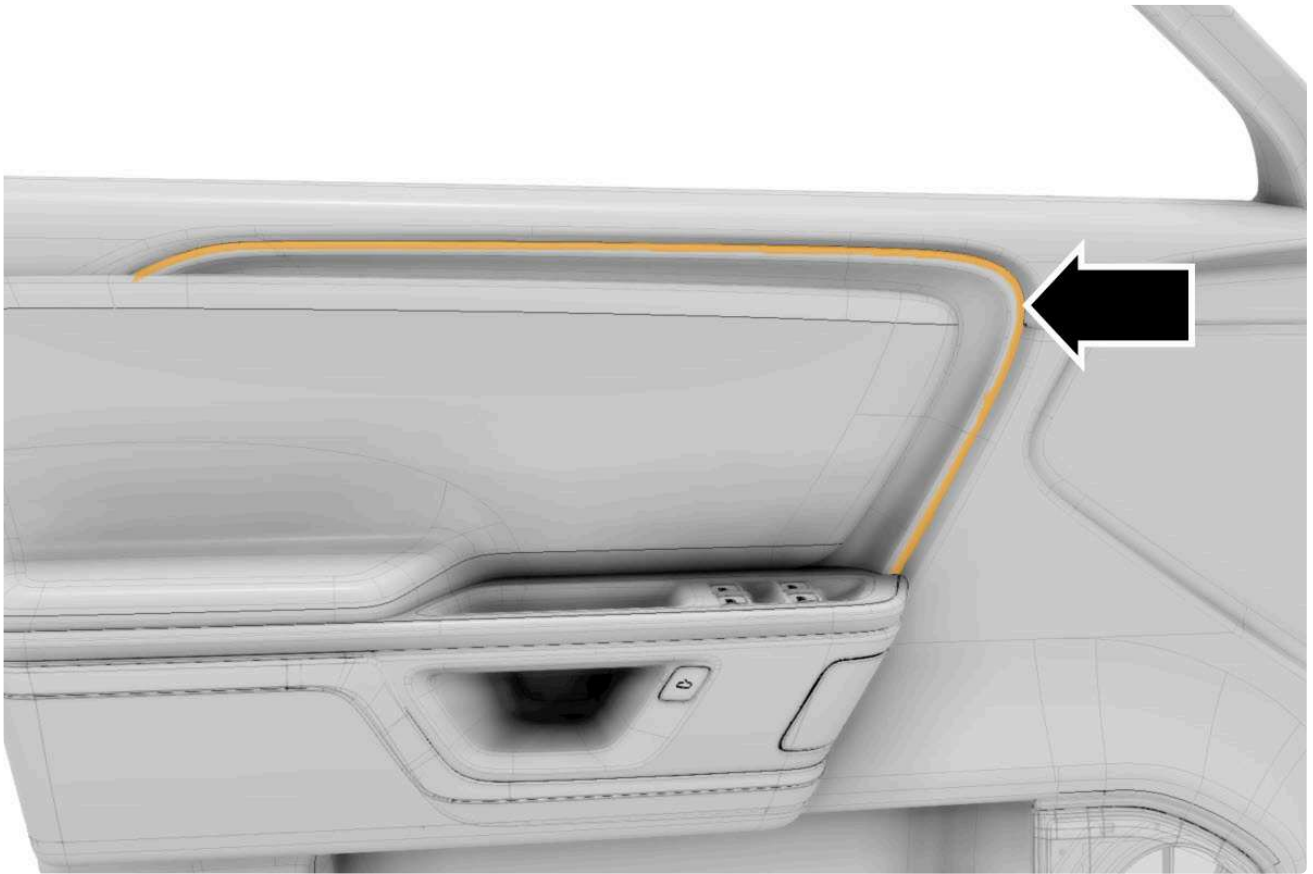
Additional Lubricant

Note:

LH Front door shown. Perform the steps in this section on all 4 doors.

1. Re-assemble the door trim panels. Refer to service manual procedures listed in [step 3 of the Door Disassembly section](#).
2. Reinstall all 4 door trim panels.
3. Using a needle dispenser, apply lubricant to the highlighted areas:



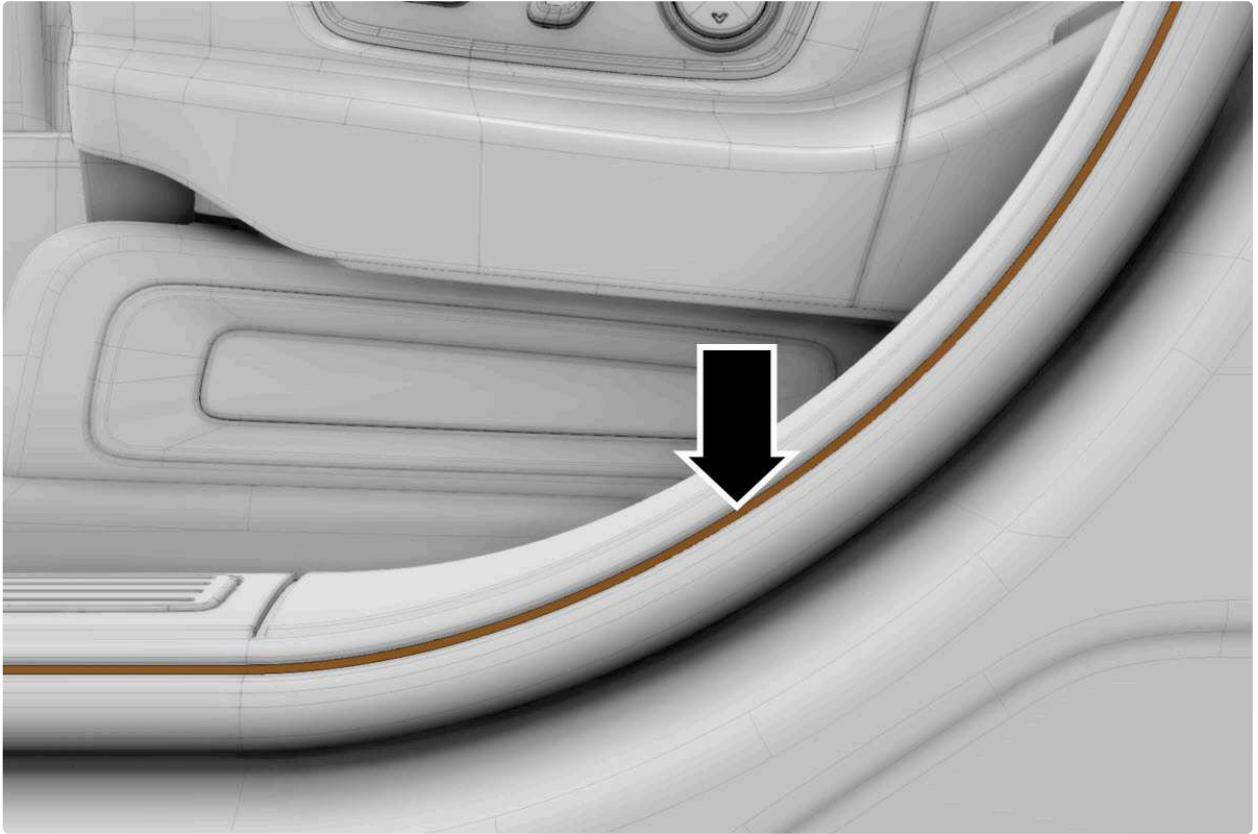


4. Wipe up any excess lubricant.

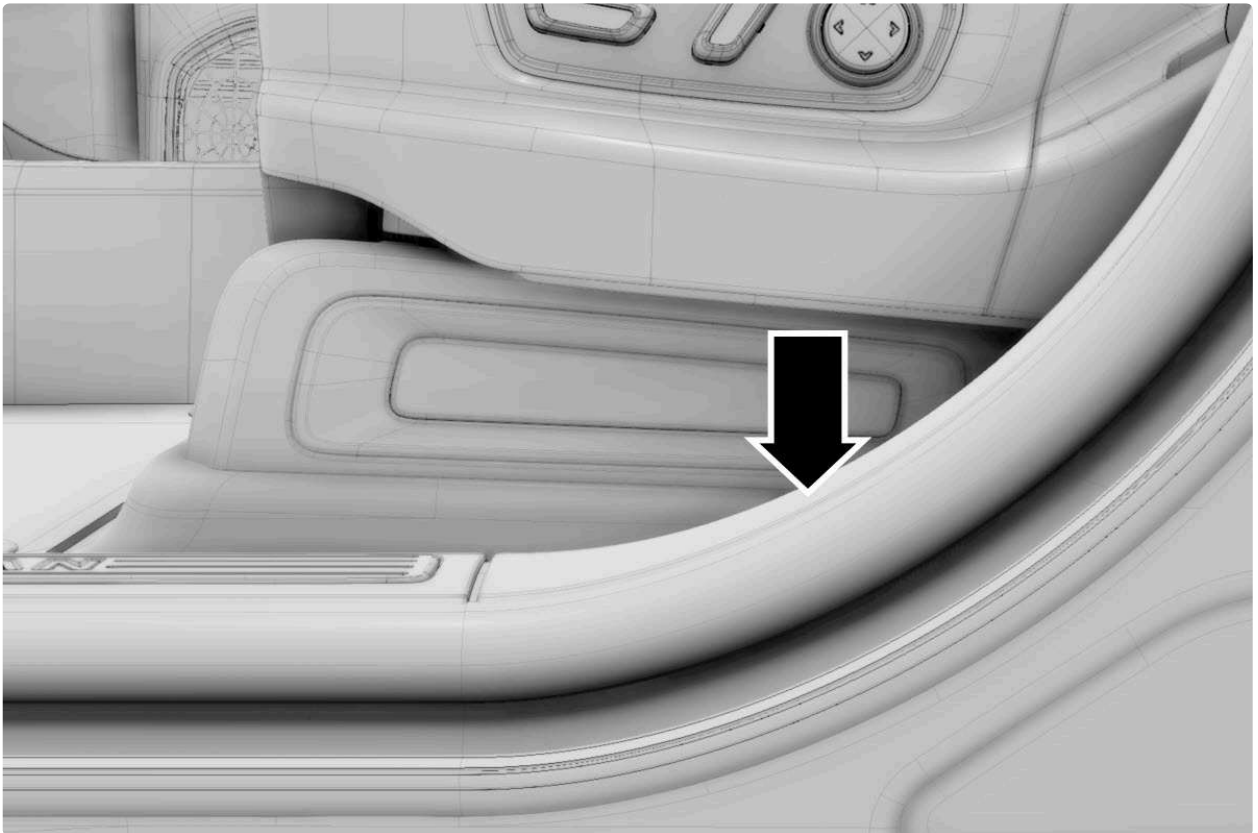
5. Inspect the highlighted component.



- If the component has a visible seam: Skip to step [10](#).



- If the component does not have a visible seam: Continue to the next step.

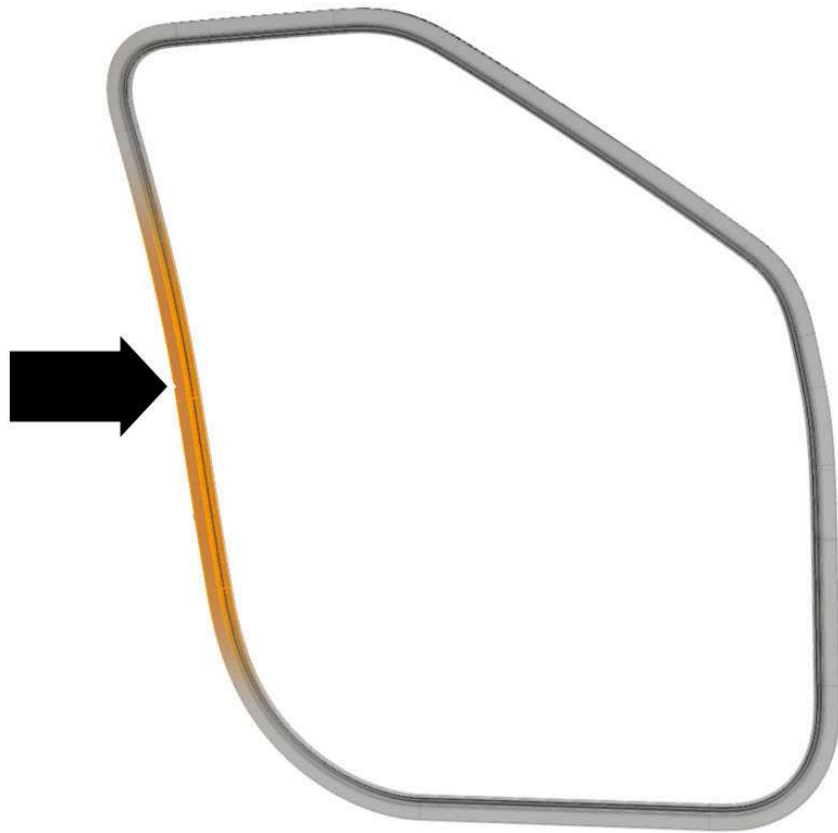


6.



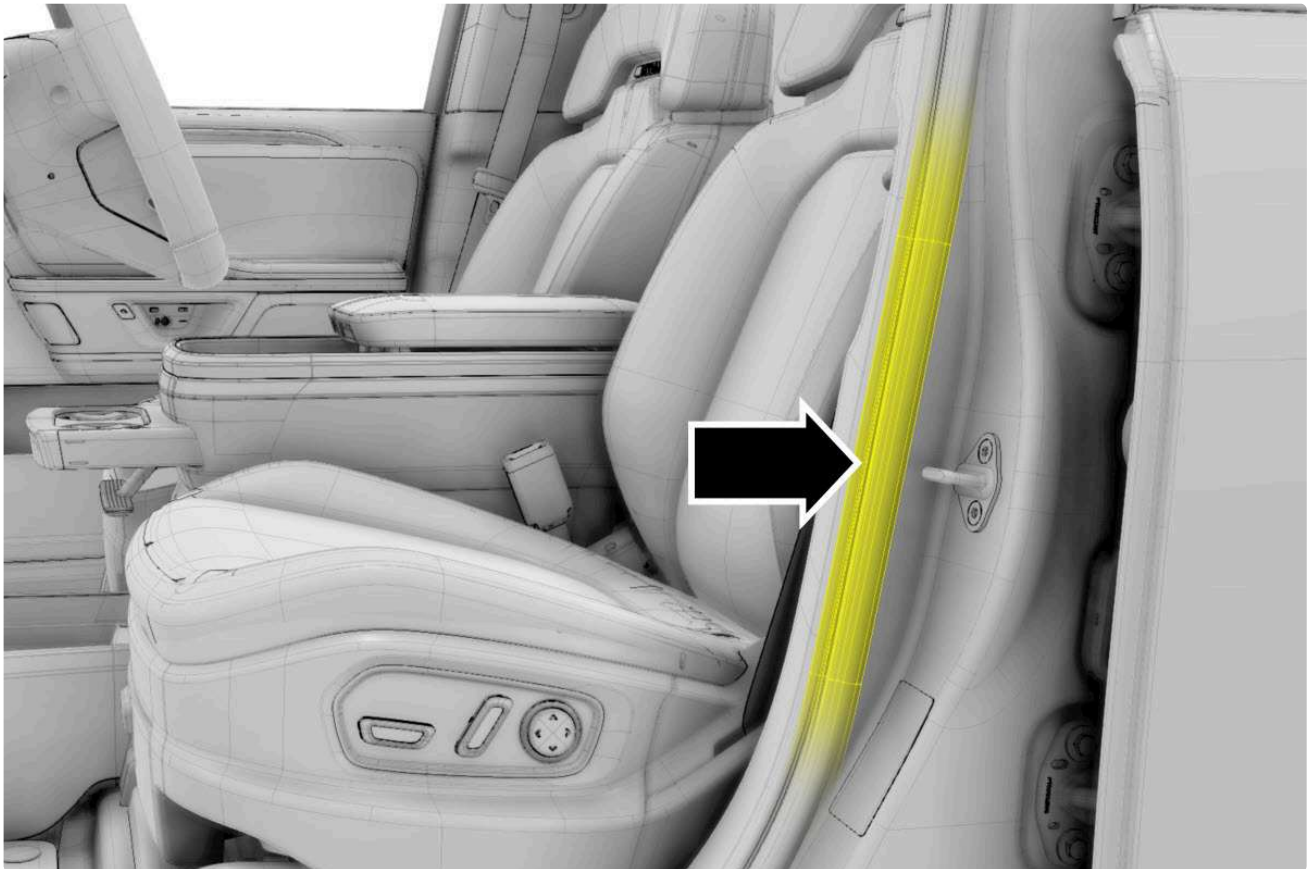
7. Using a disposable brush: Apply lubricant to the highlighted area(s). Measure from the highlighted component.





1	152 mm (6 inches)
---	-------------------

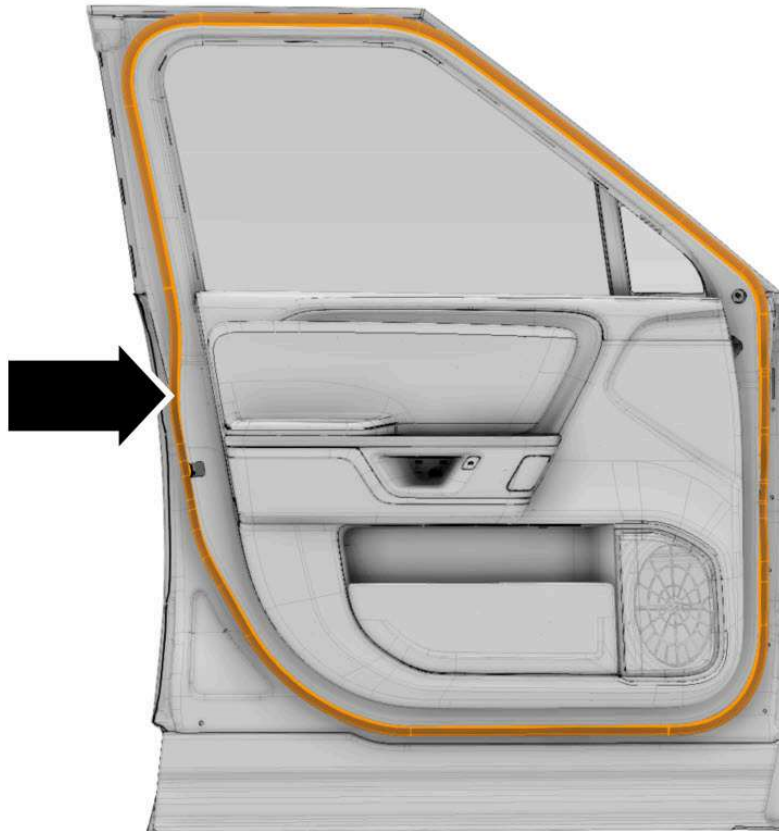
8. Reinstall:



9. Clean the highlighted area(s). Put lubricant onto a clean cloth and apply a thin coat to the highlighted area. Wipe away any excess lubricant.



10. Clean the highlighted area(s). Put lubricant onto a clean cloth and apply a thin coat to the highlighted area. Wipe away any excess lubricant.



11. Reinstall all components that were removed for access and replace all non-reusable components.

Labor Codes

Labor Code	Description
RSB932600101	Modify door trim panels to reduce noise and vibration
RSB932600102	Modify door trim panels to reduce noise and vibration, add foam to water LH and RH front water shields
RSB932600103	Modify door trim panels to reduce noise and vibration, apply lubricant behind body-mounted seals
RSB932600104	Modify door trim panels to reduce noise and vibration, add foam to water LH and RH front water shields, apply lubricant behind body-mounted seals
<i>Contact ServiceDocumentFeedback@rivian.com regarding labor codes and document content.</i>	

[Download a PDF copy of this document.](#)