



STAR ONLINE PUBLICATION



Case Number: S2623000030

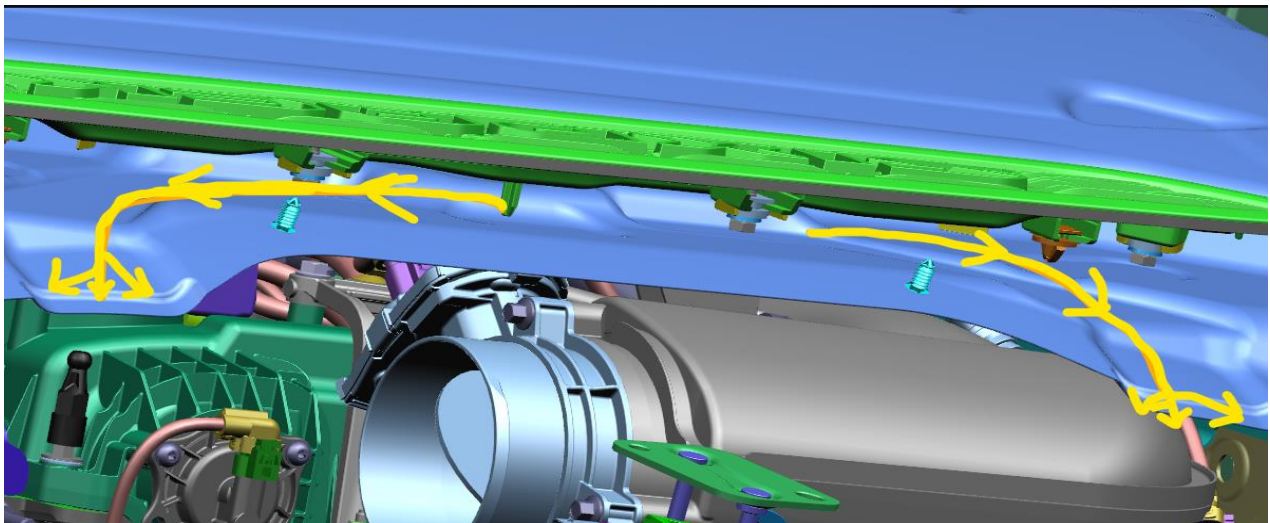
Release Date: April 2026

Symptom/Vehicle Issue: Water Under Hood From 6 Pack Hood.

Models Affected: 2026 Dodge Charger (LB) with 6 Pack MGB Hood

Discussion: Customer might complain about water leaking under the hood via the Hood bezel. The intended engineering water management direction for the water flow is through the hood bezel, onto the hood inner, and then toward the beauty cover. There are 2 drain holes on the bezel and both direct water onto the hood inner acoustics and then toward the beauty cover. Attached image shows the direction of flow.

If the water flows as described above, no repairs are required.



Water Management Flow From Hood

This document does not authorize warranty repairs. This communication documents a record of past experiences. STAR Online does not provide any conclusions about what is wrong with the vehicle. Rather, it captures all previous case details that appear to be similar or related to the vehicle symptom / condition. You are the expert, and you are responsible for deciding on the appropriate course of action.

Contact STAR Center, or your Technical Assistance Center Via TechConnect, eCONTACT or Service Library entry if no solution is found.