

Compressor Discharge Line Routing

V-561-002

(April 2026)

Valid for

Volvo VN(4) trucks equipped with Cab Parking Coolers, model years 2025 – 2027

Case description

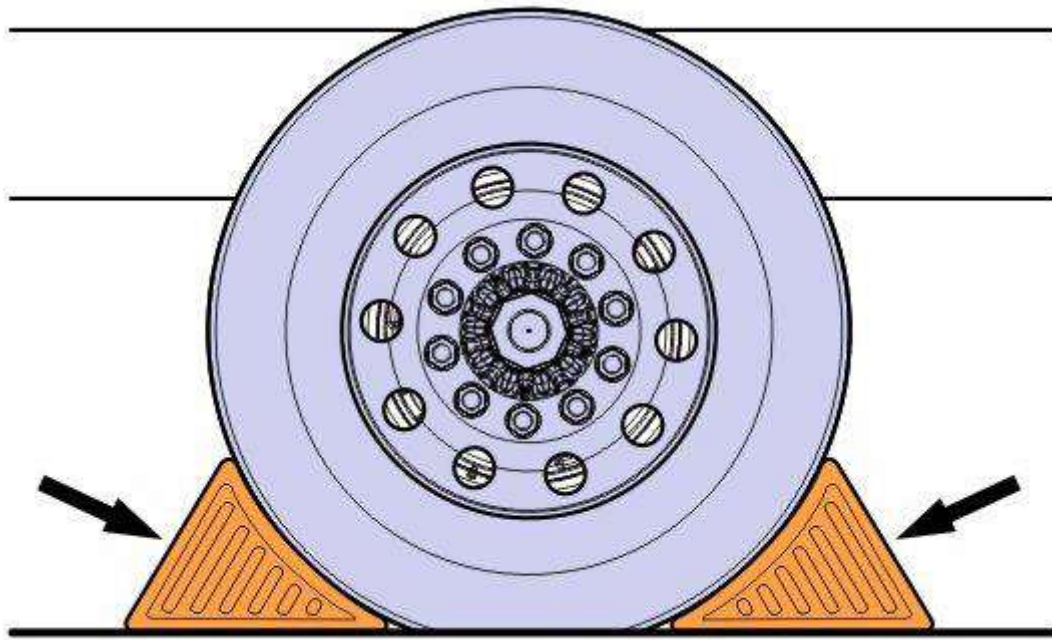
Volvo Trucks has identified that certain VN(4) model vehicles may experience an air leak at the air compressor discharge hose due to damage caused by the hose contacting other components. Contact between the hose and other components can cause abrasions and lead to hose failure. Follow the instructions to correct the hose routing.

Parts

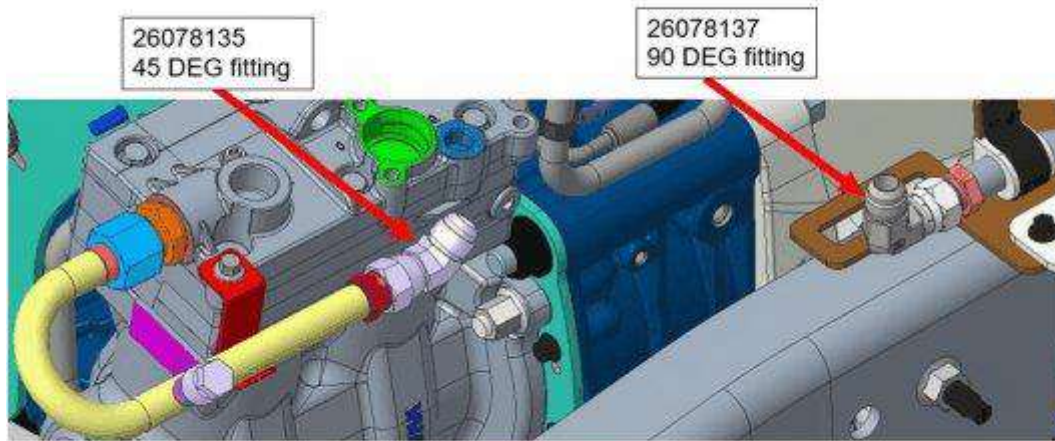
Part Number	Part description	Quantity
24704667	Hose	1
26078135	45 Degree Fitting	1
26078137	90 Degree Fitting	1

Repair

1. Park the vehicle on a level surface.
2. Apply the parking brake.
3. Place the gear lever in neutral.
4. Install the wheel chocks.

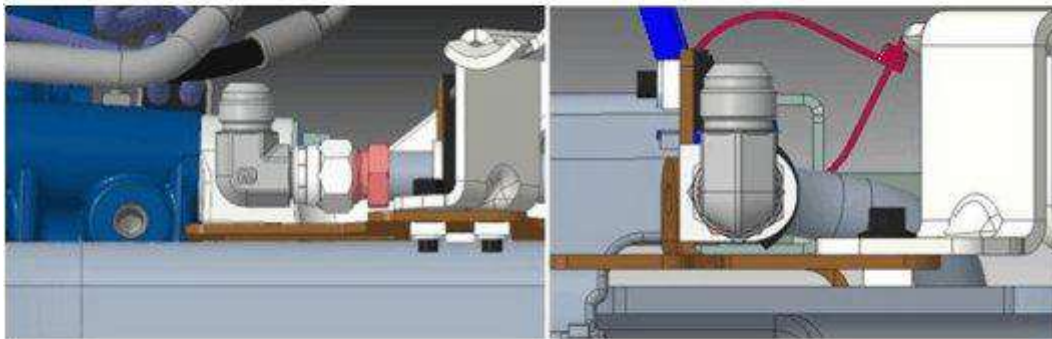
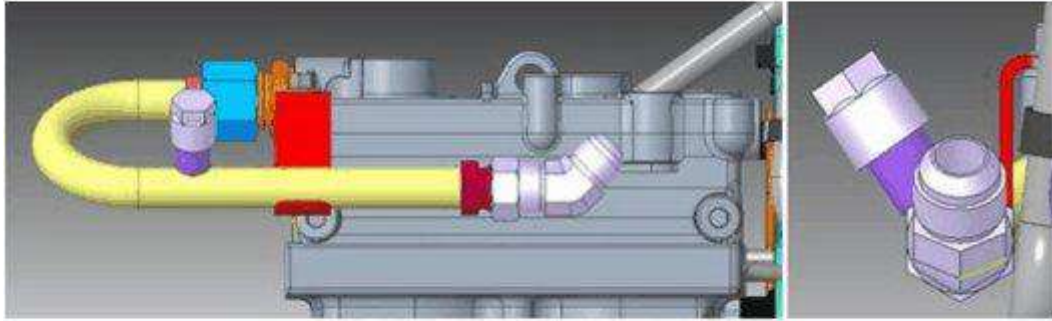


5. Follow Impact operation [56903-2 Compressor Discharge Line, Replacement](#) to remove the air compressor discharge line.
6. Install the fittings.

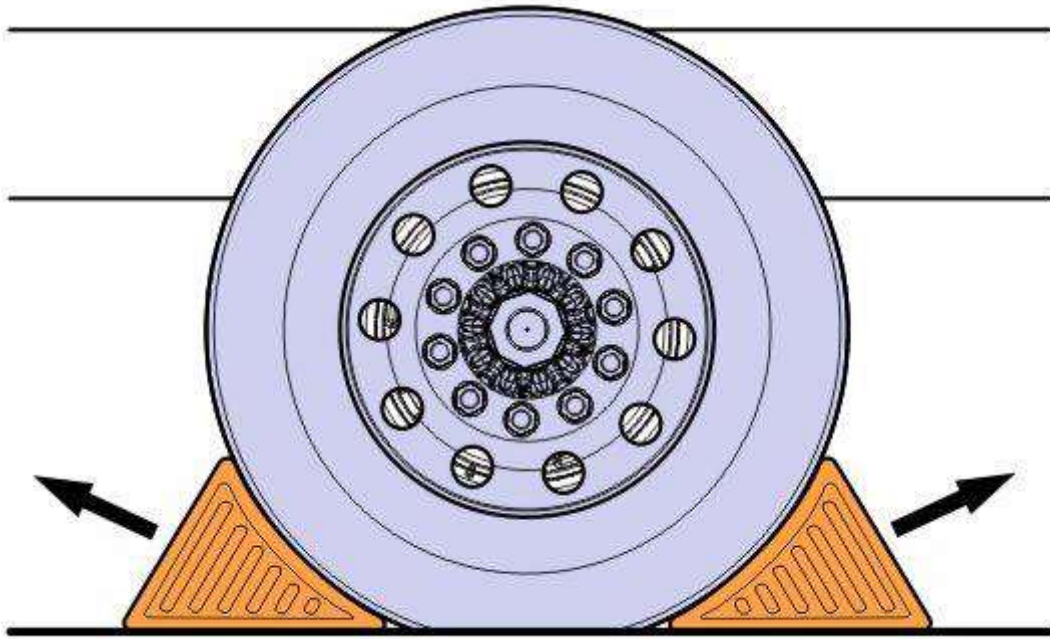


7. Orient and torque the fittings.

Tightening torque		
Fitting, nut	1.	Lightly tighten the nut
		3.8 Nm (3 lbf-ft)
	2.	Angle tighten the nut
		90°



8. Follow Impact operation [56903-2 Compressor Discharge Line, Replacement](#) to install the air compressor discharge line.
9. Close and latch the hood.
10. Remove the wheel chocks.



11. Release the truck.

Issued by

Technical Service