

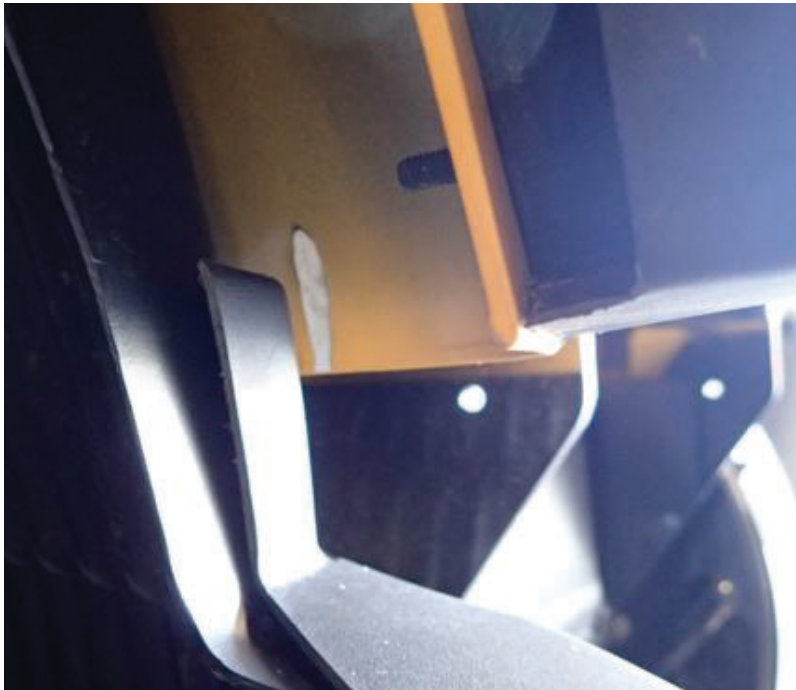
Preview Solution CBR-983-7

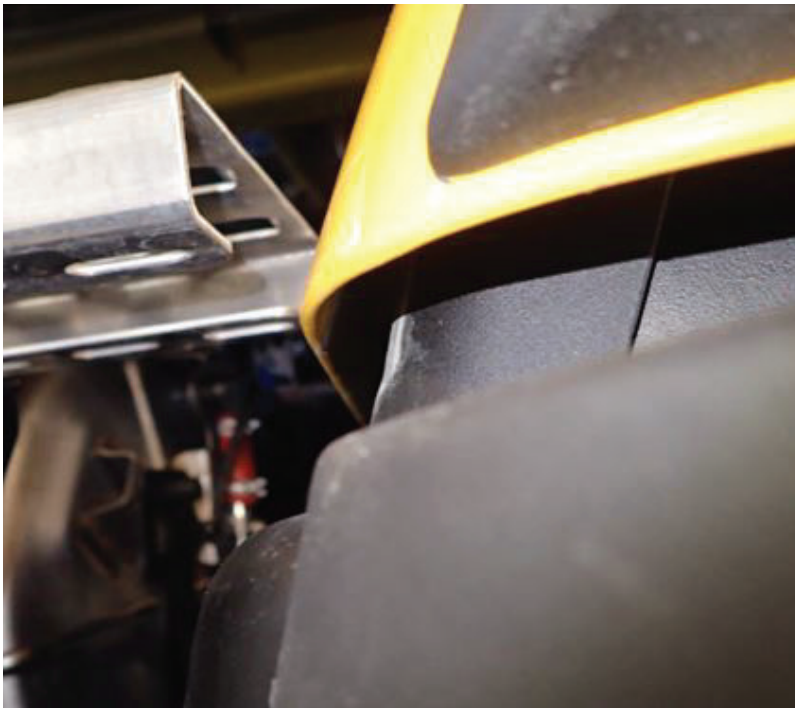
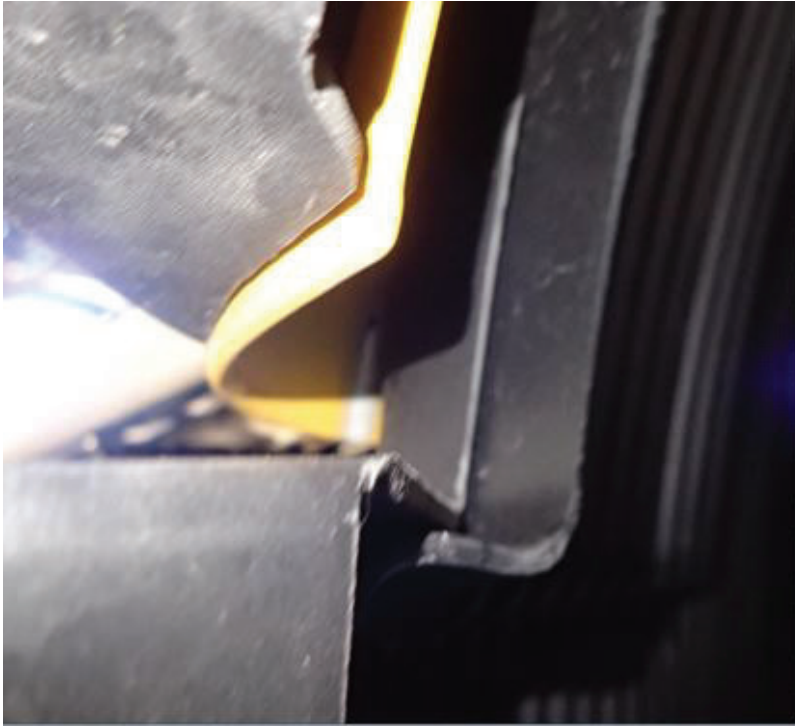
Volvo Chassis - Model VHD - Splash Shield Rubbing Lower Cowl - Model Year 2018 - Current

Rev Published 07 April 2026

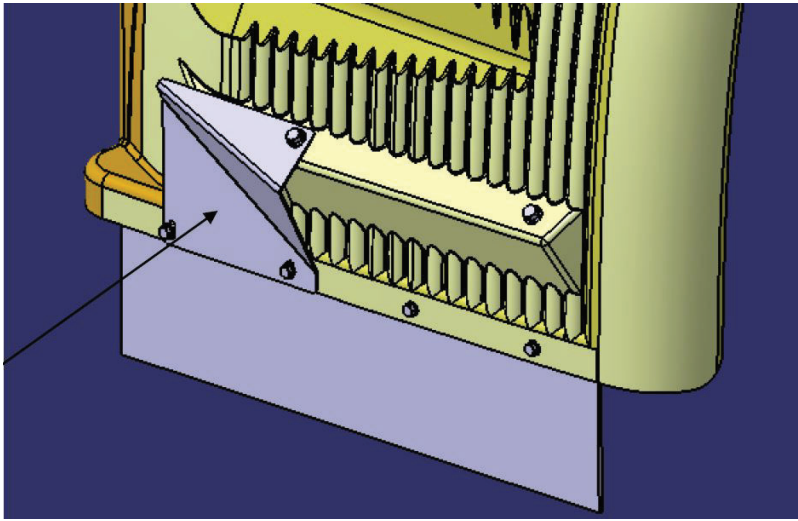
Valid for
Volvo VHD Model Year 2018 to Current

If the splash shields are rubbing the lower part of the cowl as seen here:

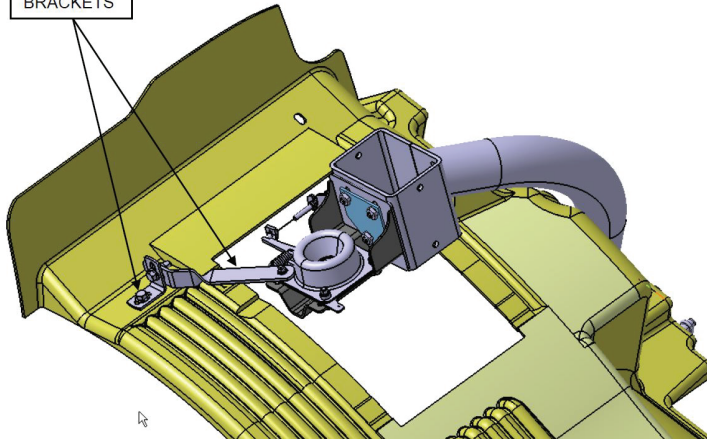




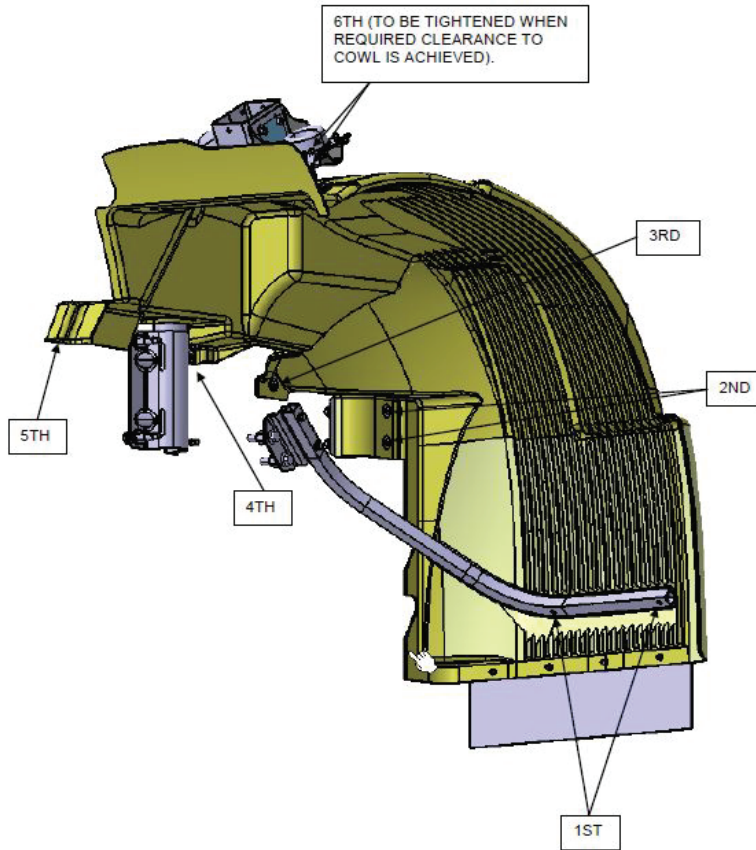
To gain the correct air gap (22mm) the splash shield will have to be loosened and retightened in the correct sequence. See images below.



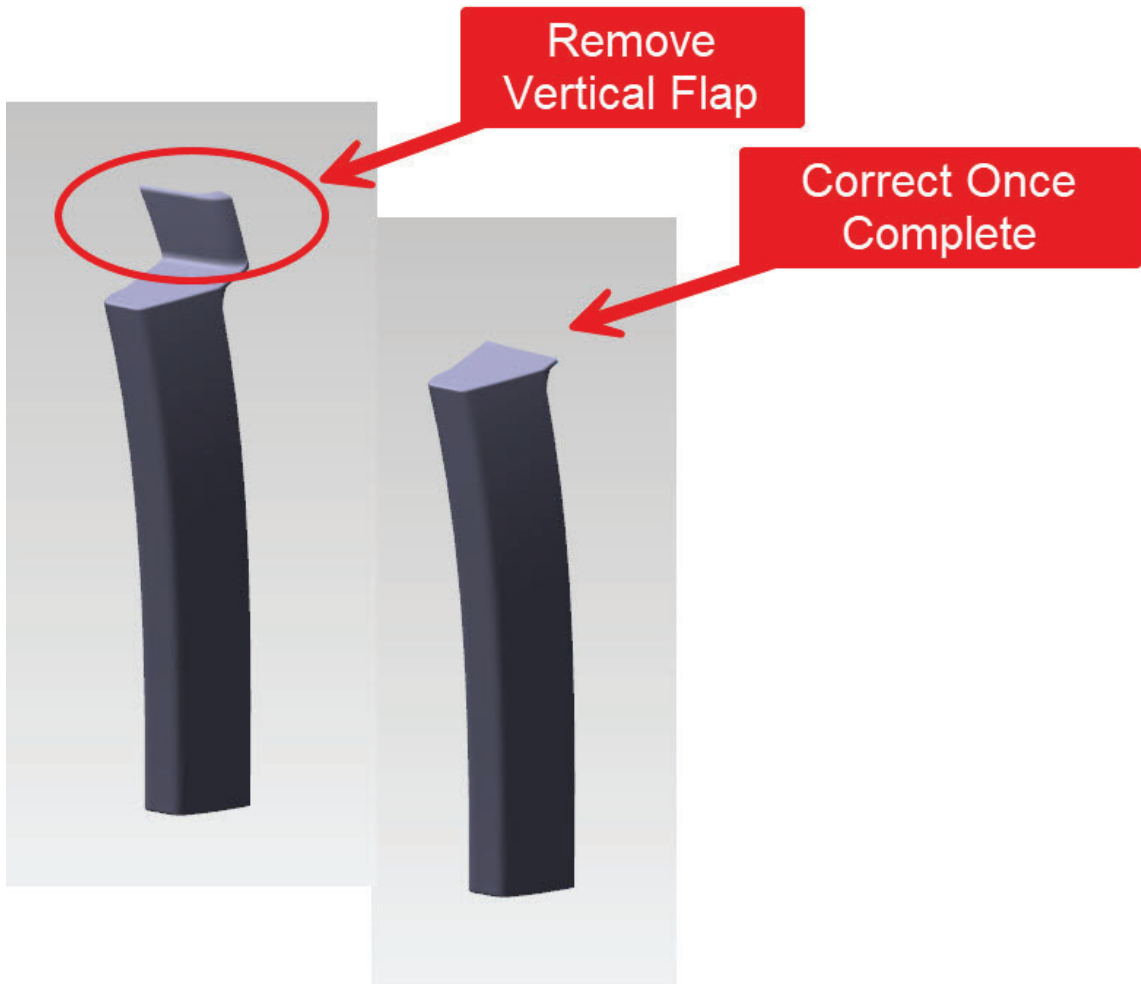
LOOSELY
ATTACH
BRACKETS

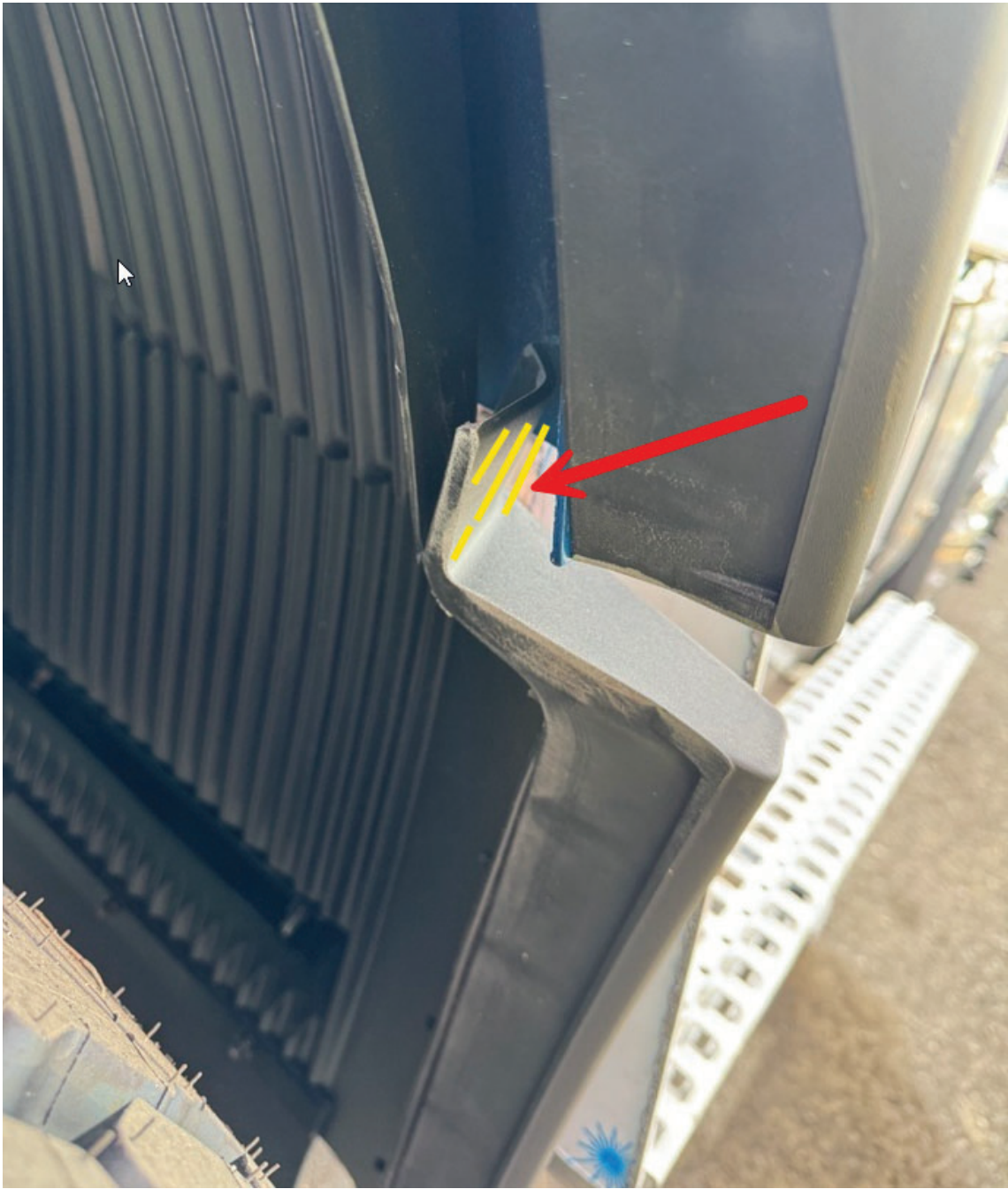


**SEQUENCE OF BOLT ATTACHMENT
LH SHOWN, RH SYM OPPOSITE**



If proper adjustment can not be achieved you may remove the vertical flap on the lower outer extension





Related links and attachments

No links or attachments available



Share

to others that might find it helpful



Feedback

[Give feedback](#)

to help improve the content of this article