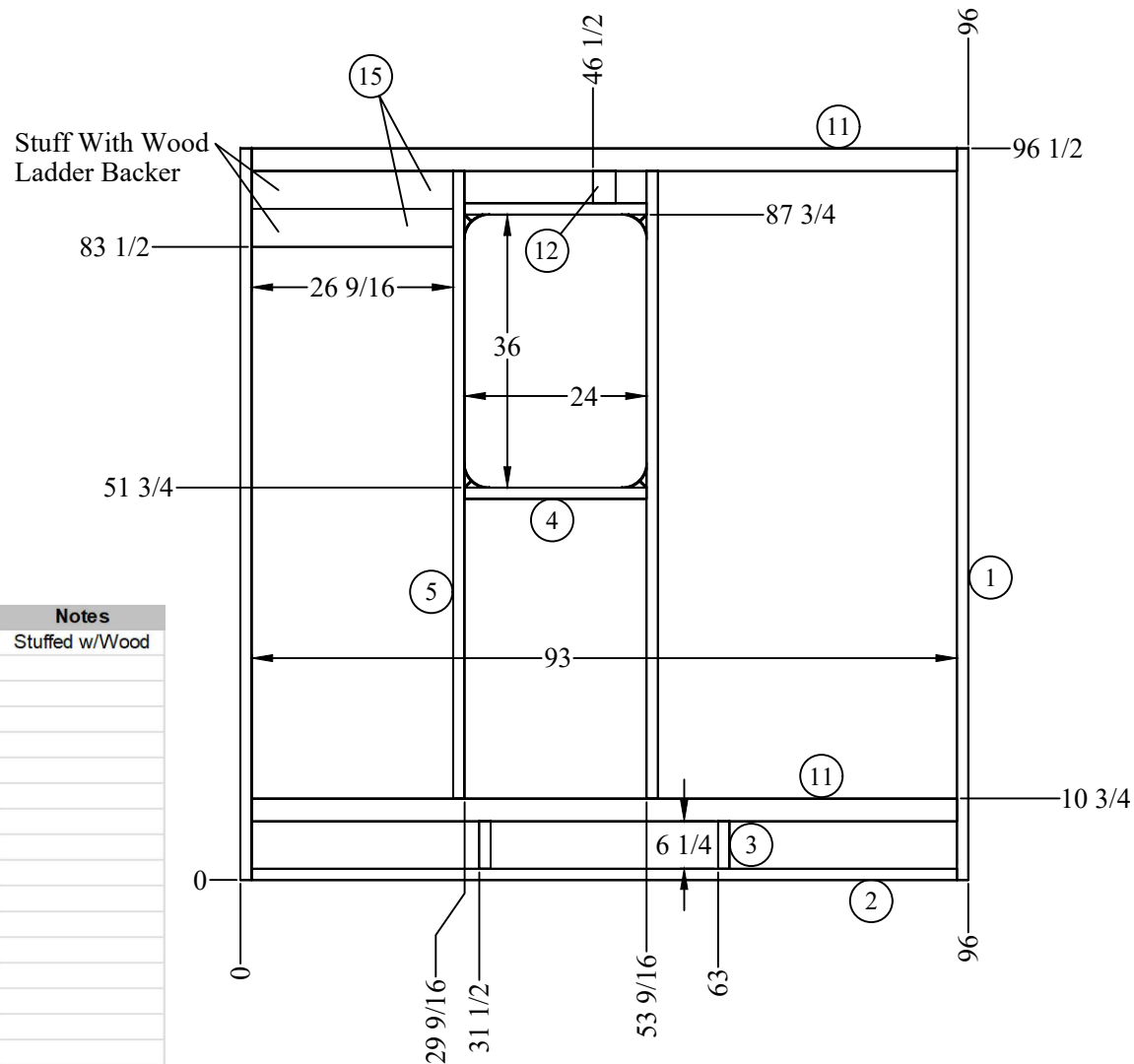


Window Radius Blocks

Notes:

1. View Is From The Interior.
2. Framing Is 1 " Thick Unless Noted.



Ref.	Qty.	Material Description	Extended	UM	Notes
1	2	Aluminum Tube 0.040 x 1 x 1 1/2 x 96 1/2	16.08		Stuffed w/Wood
2	1	Aluminum Tube 0.040 x 1 x 1 1/2 x 93	7.75		
3	2	Aluminum Tube 0.040 x 1 x 1 1/2 x 6 1/4	1.04		
4	2	Aluminum Tube 0.040 x 1 x 1 1/2 x 24	4.00		
5	2	Aluminum Tube 0.040 x 1 x 1 1/2 x 82 3/4	13.79		
6		Aluminum Tube 0.040 x 1 x 1 1/2 x	0.00		
			42.67	LF	
8	2	Aluminum Tube 0.040 x 1 x 1 x	0.00		
9	2	Aluminum Tube 0.040 x 1 x 1 x	0.00		
			0.00	LF	
11	4	Aluminum Tube 0.040 x 1 x 3 x 93	31.00		
12	1	Aluminum Tube 0.040 x 1 x 3 x 4 1/4	0.35		
13		Aluminum Tube 0.040 x 1 x 3 x	0.00		
			31.35	LF	
15	2	Aluminum Tube 0.040 x 1 x 5 x 26 9/16	4.43		
16		Aluminum Tube 0.040 x 1 x 5 x	0.00		
17		Aluminum Tube 0.040 x 1 x 5 x	0.00		
			4.43	LF	

2024

East to West RV claims exclusive rights to the information documented herein. Manufacture of material shown in part or full is prohibited without the written consent from East to West RV.

TOLERANCES: UNLESS OTHERWISE STATED DIMS ARE IN INCHES
 .X = ± .1 FRACTIONS = ± 1/16
 .XX = ± .01 ANGLES = ± .1°

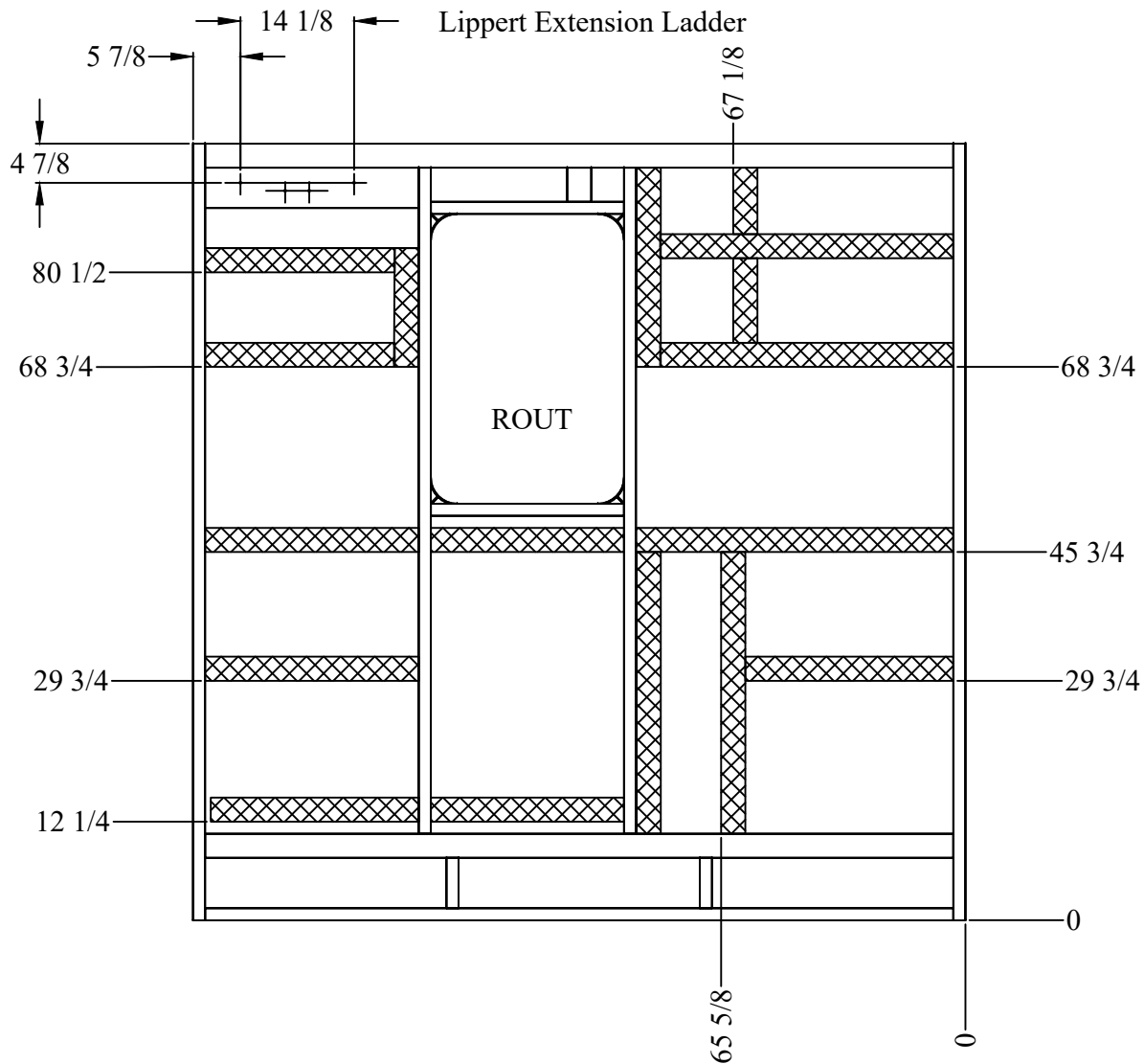
Rev	Description	Date	ECN#
A	Released For Production	06/05/25	--
B	Revised view , viewed from exterior	07/21/25	--

Title: **Rear Wall FRAMEING / ASSEMBLY**

Model Usage: **235ML, 229RK**

File No. **T11-00117**

Date: 06/05/25
Drawn By: djh
Sheet: 1 of 2
Drawing No. T11-00117



Notes:

1. View Is From The Inside.
2. Framing Is 1 " Thick Unless Noted.
3. 3" EGS Interior Backers.

2024

East to West RV claims exclusive rights to the information documented herein. Manufacture of material shown in part or full is prohibited without the written consent from East to West RV.

Rev	Description	Date	ECN#
A	Released For Production	06/05/25	--

<p>Title: <i>Rear Wall</i> FRAMEING / ASSEMBLY</p> <p>Model Usage: <i>235ML, 229RK</i></p>	<p>Date: <i>06/05/25</i></p> <p>Drawn By: <i>djh</i></p> <p>Sheet: <i>2 of 2</i></p> <p>Drawing No. T11-00117</p>
	<p>File No. .</p>

TOLERANCES: UNLESS OTHERWISE STATED
DIMS ARE IN INCHES
.X = ± .1 FRACTIONS = ± 1/16
.XX = ± .01 ANGLES = ± .1°