

RCA-78-26-002-1: Install Water Shield onto Rear Zone Control Module

Rivian is initiating a customer satisfaction campaign for some model year 2023-2024 R1T vehicles that were built with a rear zone control module that could potentially be exposed to moisture. Over time, extended exposure could cause corrosion at the electrical connections. Rivian will install a water shield over the rear zone control module to prevent moisture exposure to the electrical connections. Rivian is launching this campaign for customer satisfaction and to ensure the quality of Rivian vehicles.

Document Type	Customer Satisfaction Campaign Bulletin
Date	March 4, 2026
Affected Region(s)	USA, Canada
Affected Model(s)	R1T
Model Year(s)	2023-2024
Approximate Build Dates	May 2023-April 2024
 Refer to Open Containments in ServiceOS to determine if this document applies to a specific vehicle.	
Vehicle System	78 - Low Voltage Electrical

Required Parts

Part Number	Quantity	Engineering Name	Service Name/Notes
PT01566165-A	1	RZC R1T WATERSHIELD ASSY	

! **Attention:** The parts listed in this table are only for unique steps that are called out in this bulletin. Some sections of this bulletin might refer to Service Manual procedures which require additional parts. Always review the bulletin and all potentially related Service Manual procedures before ordering parts and beginning work.

Potentially Required Parts

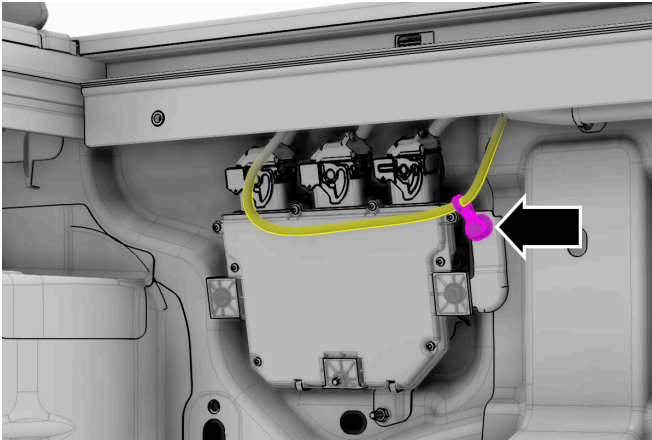
Part Number	Quantity	Engineering Name	Service Name/Notes
SC00004348-A	2	M6X1.0X18.25 HX WSHR PIL ADH CL8.8 R105B	Adhesive fastener; potentially reusable. Refer to Fastener Reuse .

! **Attention:** The parts listed in this table are only for unique steps that are called out in this bulletin. Some sections of this bulletin might refer to Service Manual procedures which require additional parts. Always review the bulletin and all potentially related Service Manual procedures before ordering parts and beginning work.

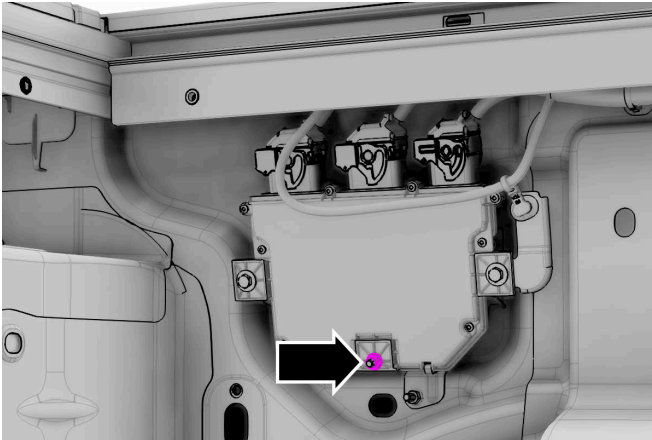
Procedure

1. On the RH side: Remove: Trim Panel, Bed (refer to service manual procedure 648234011).

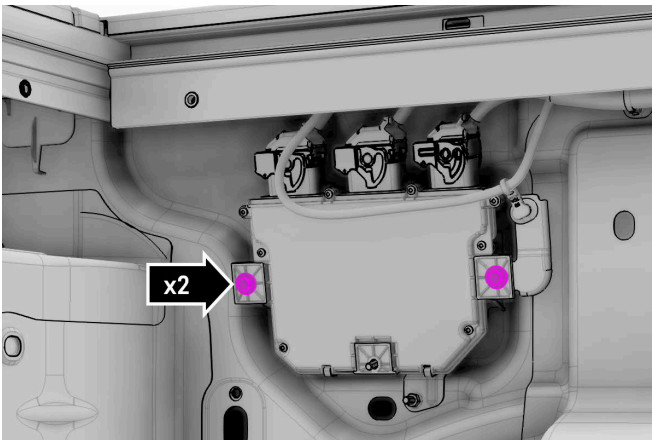
2.



3.

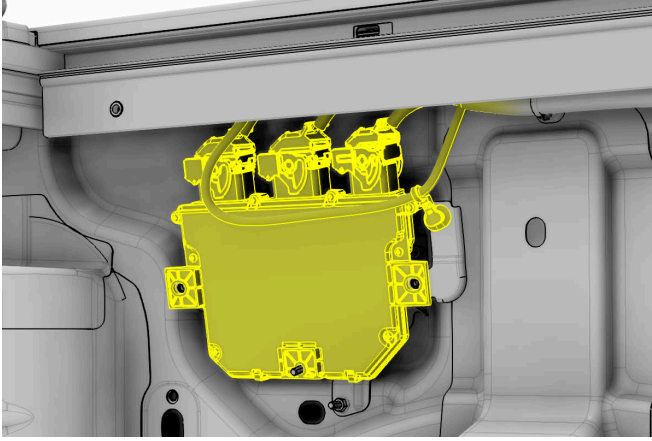


4.

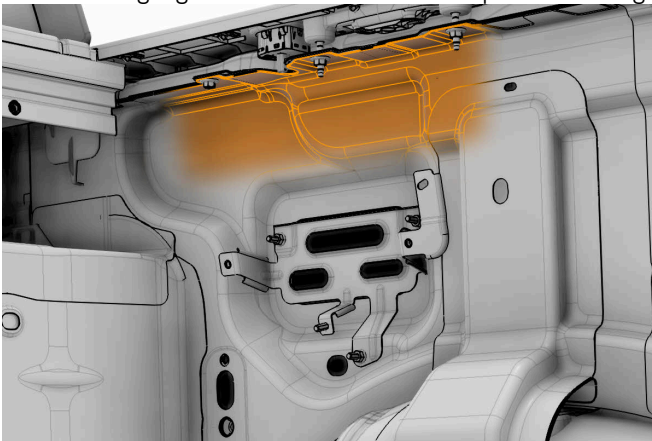


CAUTION: Potentially non-reusable fastener(s).

5.



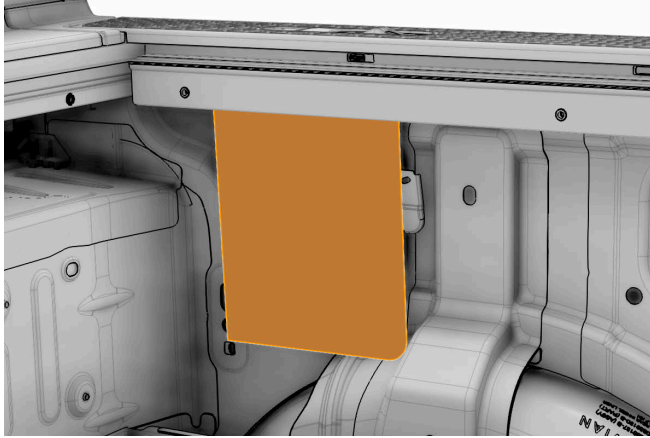
6. Clean the highlighted areas. Use alcohol wipes or rubbing alcohol on a clean cloth.



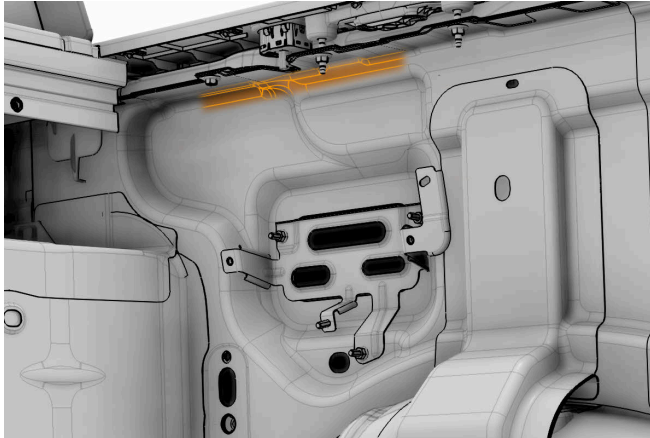
Note: Shown with components removed for clarity.

7. Install:

- a. Position the component(s) as shown.

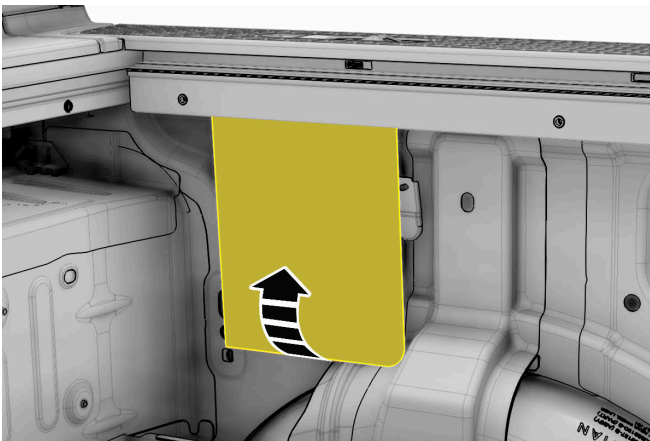


- b. Attach the butyl strip on the component to the highlighted area.

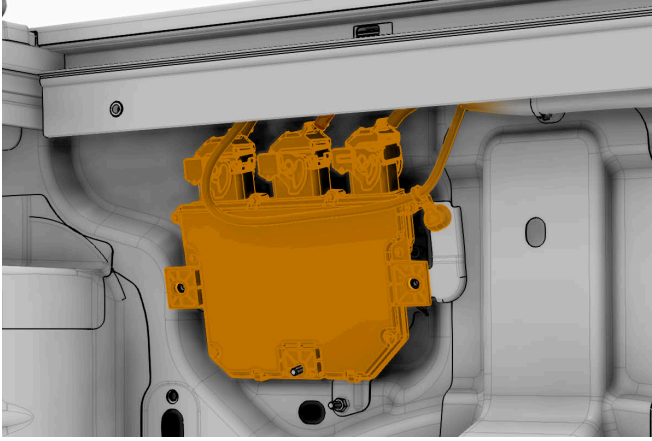


Note: Shown with components removed for clarity.

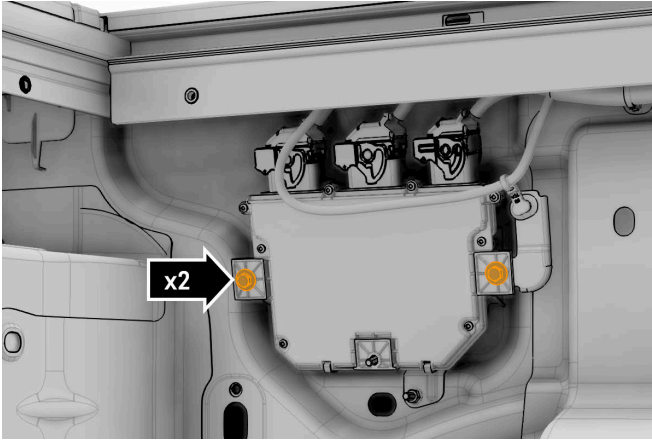
8.



9. Position the component(s) as shown.

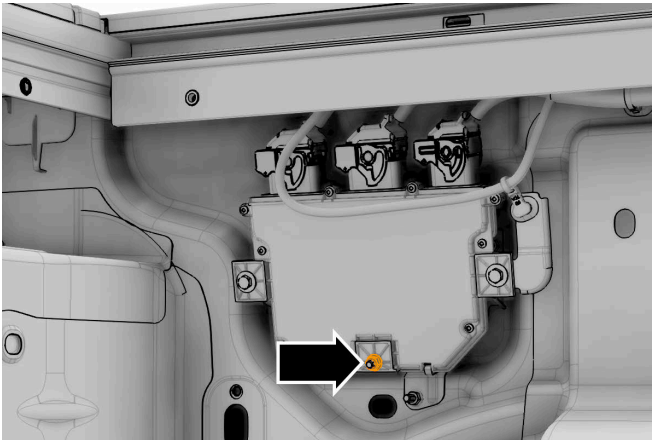


10. Install:

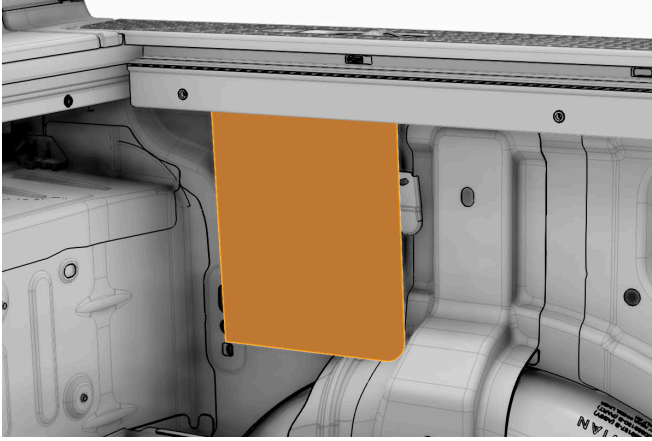


CAUTION: Potentially non-reusable fasteners.

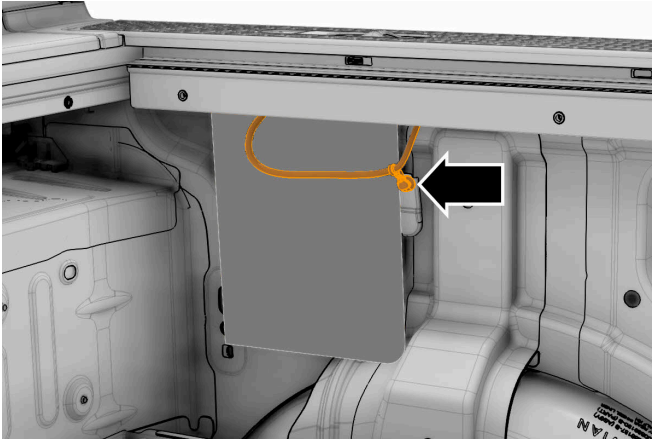
11. Install:



12. Position the component(s) as shown.



13. Install:



14. Reinstall all components that were removed for access and replace all non-reusable components. Refer to the service manual procedures referenced in this document for additional component reusability information and torque specifications.

Torque specifications in this section

Step Number	Torque (Nm)
10	10
11	10.5

Labor Codes

Labor Code	Description
RCA782600201	Install water shield onto rear zone control module