



Emergency Fuel Funnel

This document contains two model specific instructions with two different kits. Before you start the work, make sure that you use the correct instruction and have the correct kit. Refer to the information in the heading on the pages that follow.

Situation

The capless easy funnel filler is designed for standard fuel nozzles. Refuel with incorrect nozzle or funnel can cause fuel spill or damage the easy fuel filler.

Action

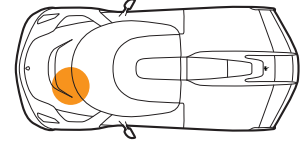
Install an emergency fuel funnel that is easy to access and use if it is necessary to refuel, for example, from a gas can.





Emergency Fuel Funnel

This instruction refers to other documents that are necessary to do the procedure.



PARTS	REFERENCE	QUANTITY
Attack emergency fuel funnel storage	1094535	1
Emergency funnel location sticker	1095881	1
Fuel label type	1025343	1
Fuel recommendation sticker	1095331	1

TOOLS	SPECIFICATION	QUANTITY
Attack fuel funnel box alignment tool	1094940	1

CONSUMABLES	REFERENCE	QUANTITY
Isopropanol	000016	1

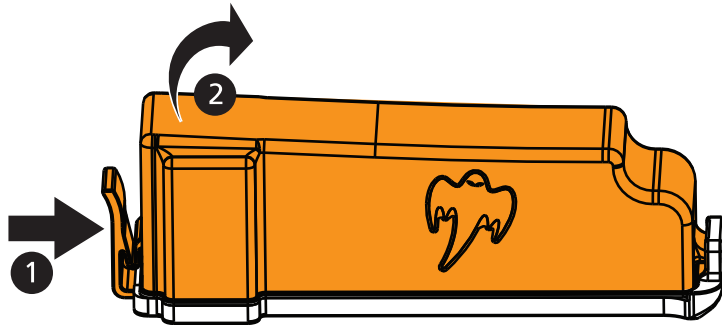
Prepare

Open the front hood with the key fob or from the center console.

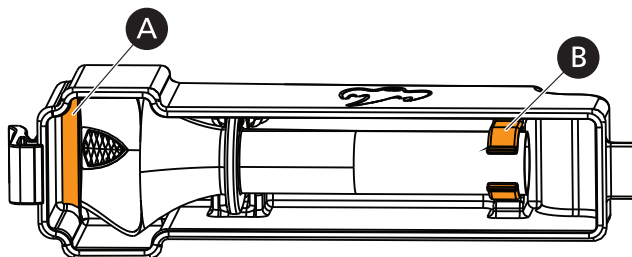
Install Funnel

1. Push the snap lock ① on the funnel box and open it.

Part:1094535

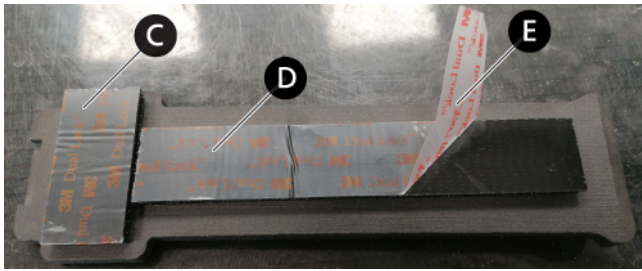


2. Make sure that the emergency fuel funnel has the correct position in the box.
 - 2.1 The funnel is locked in position below the ledge A.
 - 2.2 The funnel is attached to the box with the clip B.



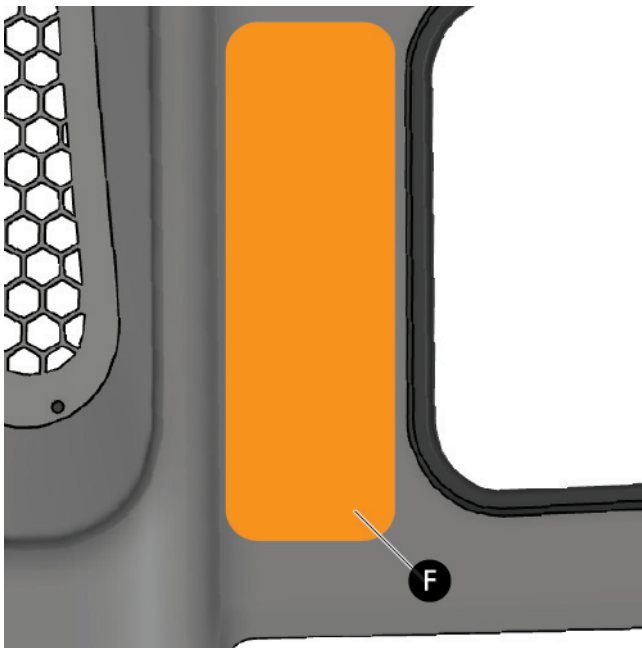
3. Make sure that the two parts of the hooks and loops, C & D are attached to the lid.





4. Clean the surface on the luggage plate, on the LH side behind the air duct

Consumable: Isopropanol



5. Put the template on the luggage plate. Make sure that it has the correct position.

Tool: 1094940

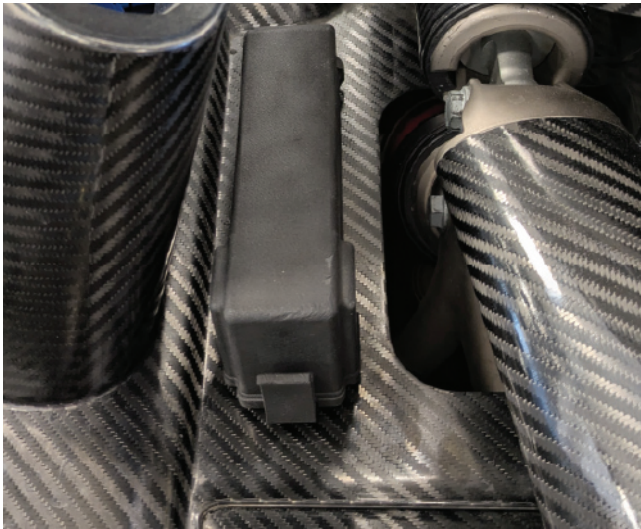


6. Remove the protection film **E** from the two parts of the hook and loops **C** & **D**.
7. Put pressure on the template to make sure that it does not move. Align the funnel lid with the template and attach the lid to the luggage plate.





8. Apply pressure along the lid to make sure that all of the tape surfaces are attached to the luggage plate.
9. Install the box with the funnel to the lid.

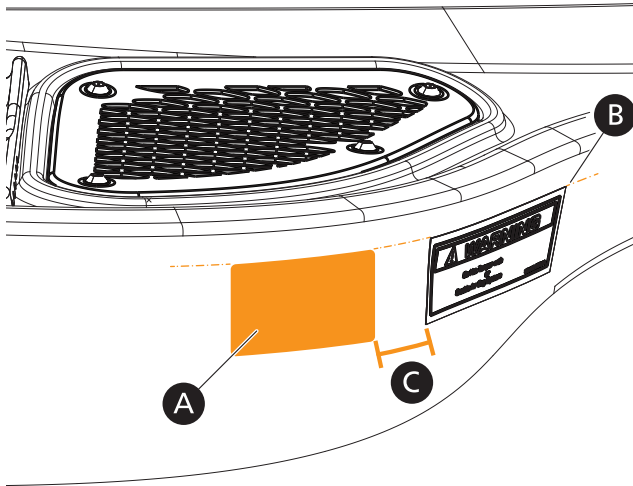


Install Funnel Sticker

1. Clean the surface **A** on the LH side of the wiper box.

Consumable: Isopropanol





Do not measure on the illustration, it is not to scale.

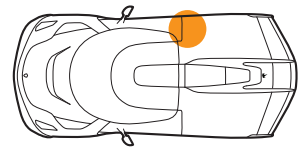
2. Attach the emergency funnel location sticker **A** to the wiper box:

Part: 1095881

- 2.1 Make sure that the top of the sticker aligns with the top **B** of the warning sticker.
- 2.2 Attach the sticker with a distance of 20 mm **C** between the stickers.

Install Fuel Sticker

1. Remove the fuel recommendation sticker **A** above the refuel cap.



- 2. On EU vehicles, remove the E sticker **B**.
- 3. Clean the surface above the refuel cap.

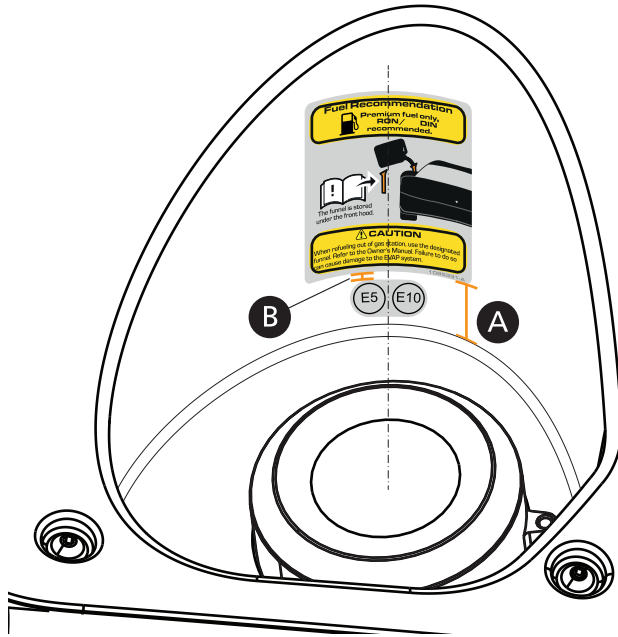
Consumable: Isopropanol

4. Attach the new fuel recommendation sticker above the refuel cap:

Part: 1095331

- 4.1 Make sure that the center of the sticker aligns with the center of the refuel cap.
- 4.2 Attach the sticker 30 mm **A** from the bottom of the refuel cap plate.





Note: Do not measure on the illustration, it is not to scale.

5. Attach the new E sticker below the fuel recommendation sticker.

Part: 1025343

- 5.1 Make sure that the center of the sticker aligns with the center of the fuel recommendation sticker.
- 5.2 Attach the sticker 5 mm **B** below the fuel recommendation sticker.

Warranty Information

If the repair is covered by the warranty terms, refer to Koenigsegg Warranty Process.

OPERATION

KW0783897

PART NO

Refer to the invoiced kit number (add on new lines)

DISCARDED PARTS

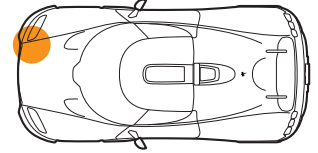
Any discarded parts mentioned in the TSB must be returned or destroyed according to the Dealer Warranty Manual.





Emergency Fuel Funnel

This instruction refers to other documents that are necessary to do the procedure.



PARTS	REFERENCE	QUANTITY
Emergency fuel funnel	1095568	1
Emergency funnel location sticker	1095882	1
Fuel label type	1025343	1
Fuel recommendation sticker	1095331	1
Funnel holder CC850	1090631	1
Luggage plate lid RH rework assy	1095876	1
Screw Pan head M4x10 A4-70	1033061	2

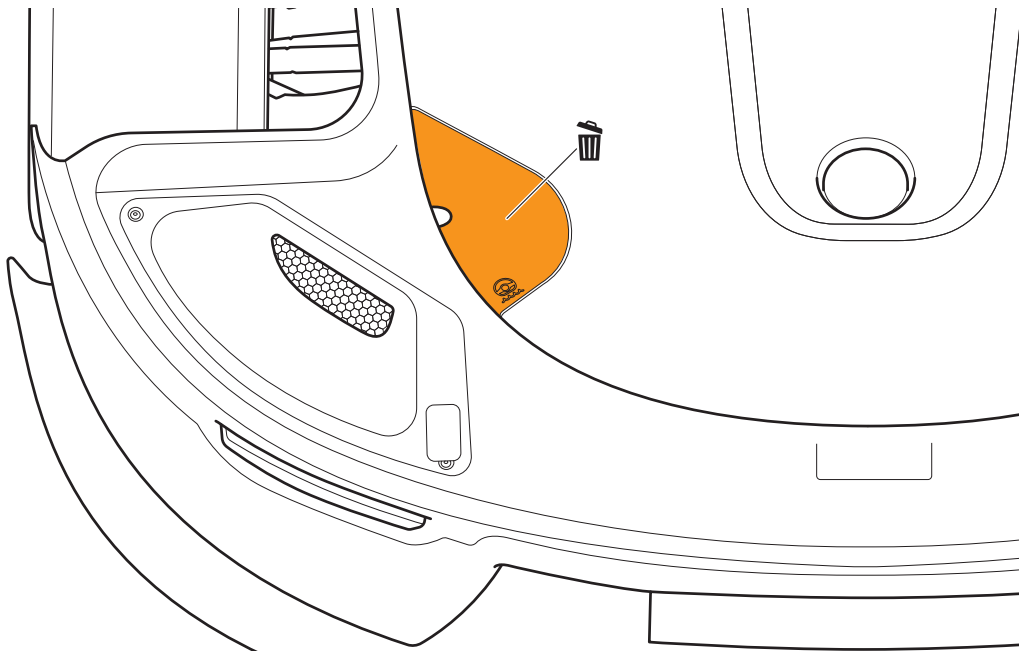
CONSUMABLES	REFERENCE	QUANTITY
Isopropanol	000016	–
Loctite 222	130-174-0550	–

Prepare

Open the front hood with the key fob or from the center console. If the 12 V is set to off, open the front hood manually, refer to [WOM-00748](#).

Install the Funnel

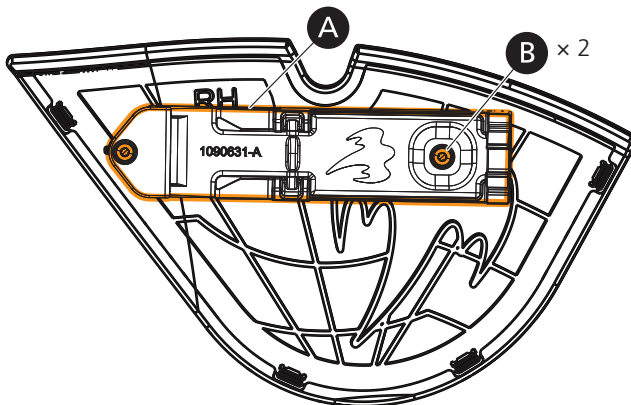
1. Remove the RH lid from the luggage compartment plate.
2. Discard the RH lid.



3. Put the new funnel holder **A** in position on the new luggage plate lid RH.

Part: 1090631, 1095876





4. Install the funnel holder to the luggage plate lid RH with the 2× T20 bolts **B**.

Part: 1033061

Threadlocker: Loctite 222

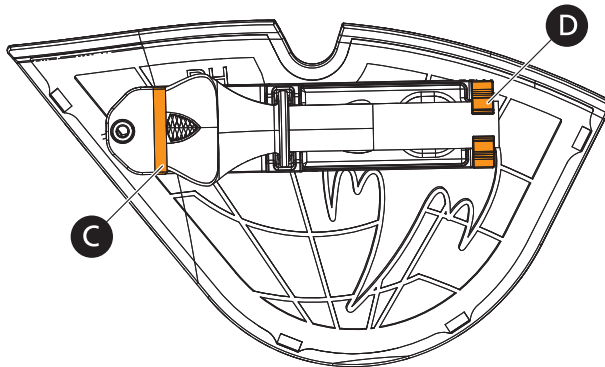
Torque: 1.5 Nm

5. Install the emergency fuel funnel to the funnel holder.

Part: 1095568

5.1 Put the funnel in position below the ledge **C**.

5.2 Attach the funnel with the clip **D**.

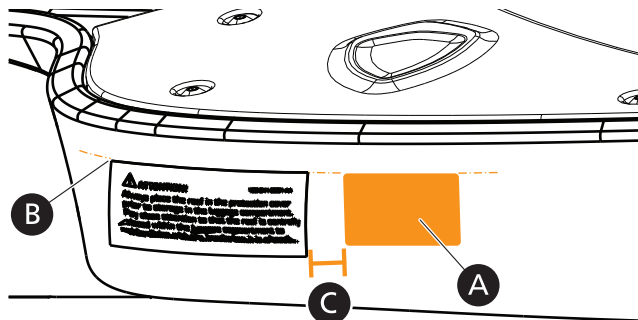


6. Install the new RH lid with the emergency fuel funnel in the luggage compartment.

Install Funnel Sticker

1. Clean the surface **A** on the RH side of the wiper box.

Consumable: Isopropanol



Do not measure on the illustration, it is not to scale.

2. Attach the emergency fuel funnel location sticker **A** to the wiper box:



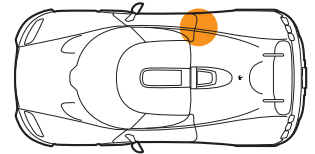


Part: 1095882

- 2.1 Make sure that the top of the sticker aligns with the top **B** of the warning sticker.
- 2.2 Attach the sticker with a distance of 20 mm **C** between the stickers.

Install Fuel Sticker

1. Remove the fuel recommendation sticker **A** above the refuel cap.



2. On EU vehicles, remove the E sticker **B**.
3. Clean the surface above the refuel cap.

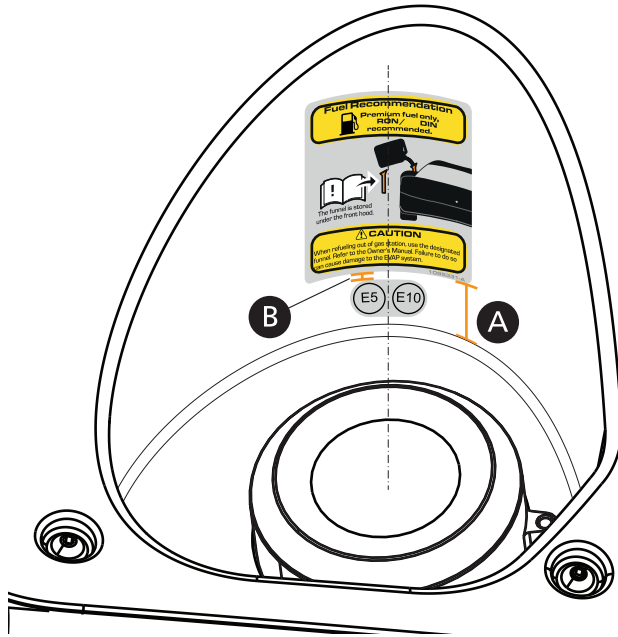
Consumable: Isopropanol

4. Attach the new fuel recommendation sticker above the refuel cap:

Part: 1095331

- 4.1 Make sure that the center of the sticker aligns with the center of the refuel cap.
- 4.2 Attach the sticker 30 mm **A** from the bottom of the refuel cap plate.





Note: Do not measure on the illustration, it is not to scale.

5. Attach the new E sticker below the fuel recommendation sticker.

Part: 1025343

- 5.1 Make sure that the center of the sticker aligns with the center of the fuel recommendation sticker.
- 5.2 Attach the sticker 5 mm **B** below the fuel recommendation sticker.

Warranty Information

If the repair is covered by the warranty terms, refer to Koenigsegg Warranty Process.

OPERATION

KW0846442

PART NO

Refer to the invoiced kit number (add on new lines)

DISCARDED PARTS

Any discarded parts mentioned in the TSB must be returned or destroyed according to the Dealer Warranty Manual.

