



RSB-56-26-001-1: Re-Adhere Door Reinforcements

Rivian is launching a technical service bulletin for some model year 2022-2024 R1T and R1S vehicles that could have inadequate adhesion between the outer door panel and an internal reinforcement. On affected doors, the exterior door handle might not sit flush with the outer door panel or might move slightly when the handle is operated. Upon customer complaint, Rivian will apply new adhesive between the reinforcement and the outer panel.

Document Type	Technical Service Bulletin
Date	February 4, 2026
Affected Region(s)	USA, Canada
Affected Model(s)	R1T, R1S
Model Year(s)	2022-2024
Approximate Build Dates	September 2021-April 2024
 Refer to the TSB Guide Dashboard to determine if this document applies to a specific vehicle.	
Vehicle System	56 - Closures


Required Parts

Part Number	Quantity	Engineering Name	Service Name/Notes
PT01575068-A	1	BETAPRIME 5504G	
One of the following:			
PT01575067-A	As needed	BETASEAL Xpress 30	
	As needed	BETASEAL U-418	
One of the following:			
	As needed	3M Scotch-Brite Hand Pad 7440	Nylon mesh scuff pad, coarse grade
	As needed	Sandpaper, 120 grit	

 **Attention:** The parts listed in this table are only for unique steps that are called out in this bulletin. Some sections of this bulletin might refer to Service Manual procedures which require additional parts. Always review the bulletin and all potentially related Service Manual procedures before ordering parts and beginning work.

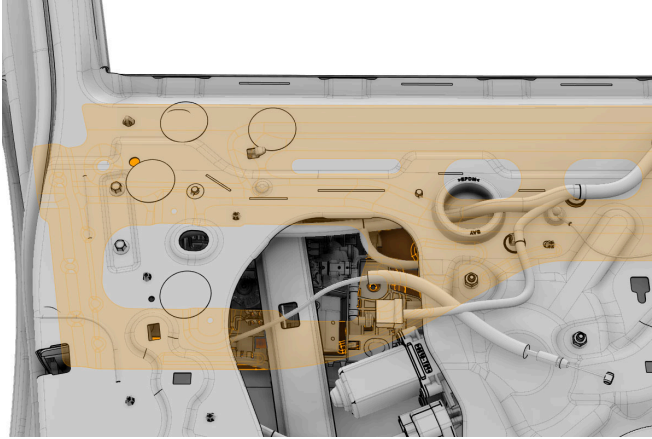
Optional Special Tools:

Tool Number	Tool Name
TSN00884	R1 door handle installation jig

 **Attention:** The special tools listed in this table are only for unique steps that are called out in this bulletin. Some sections of this bulletin might refer to Service Manual procedures which require additional special tools. Always review the bulletin and all potentially related Service Manual procedures before beginning work.

Inspection

1. On the affected side(s): Remove: One of the following:
 - Shield, Water, Front Door, LH (refer to service manual procedure 566060010).
 - Shield, Water, Rear Door, LH (refer to service manual procedure 566062010).
2. Press on the exterior door handle from the outside of the door. Check the highlighted component for movement.



Note: Front door shown, rear door similar.

- If the component moves when pressing on the door handle: Skip to the [Procedure](#) section.
- If the component does not move when pressing on the door handle: Check if the adhesive that secures the component to the exterior door panel is cracked or separated.
 - If the adhesive between the component and the exterior door panel is cracked or separated: Skip to the [Procedure](#) section.
 - If the adhesive is intact: This bulletin is not applicable. Discontinue this procedure. Reinstall all components that were removed for access and replace all non-reusable components. Refer to the service manual procedures referenced in this document for additional component reusability information and torque specifications.

Procedure

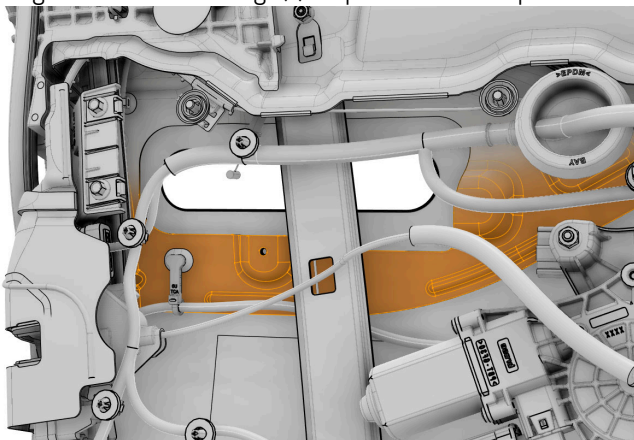


Note: Front door shown, rear door similar.

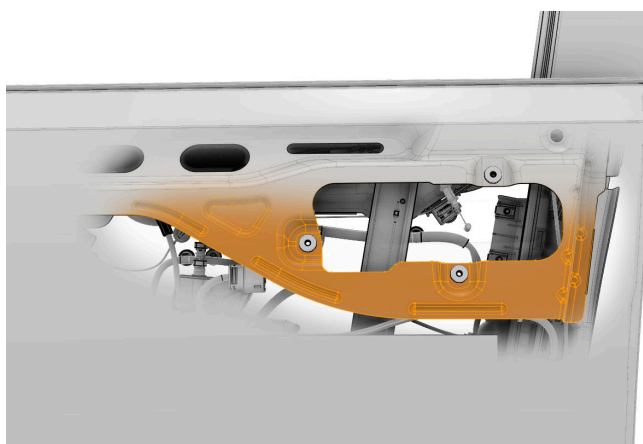
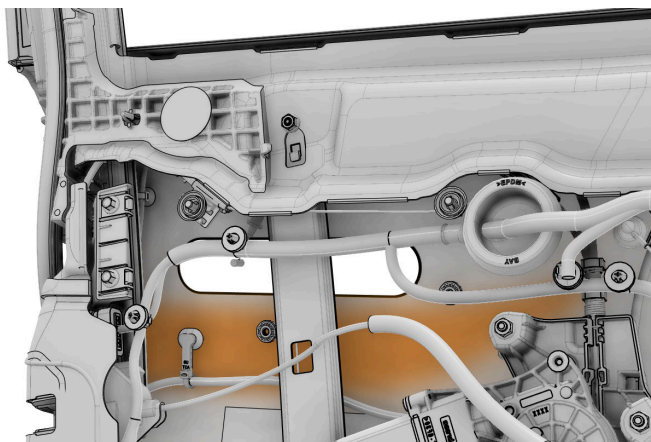


Note: Shown with components removed for clarity.

1. On the affected side(s): Remove: One of the following:
 - Handle, Exterior, Front Door, LH (refer to service manual procedure 565010010).
 - Handle, Exterior, Rear Door, LH (refer to service manual procedure 565012010).
2. Using the inflatable wedge(s): Separate the components.

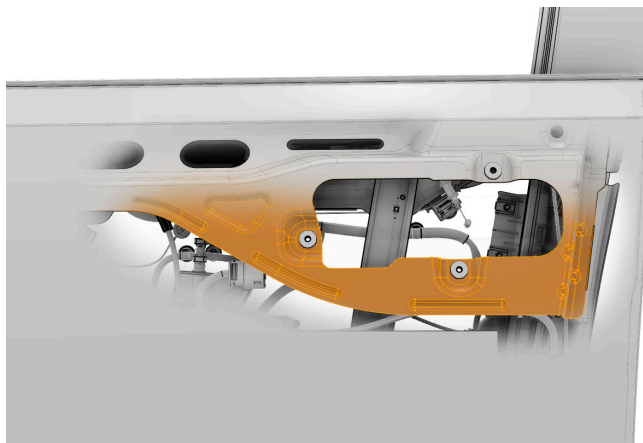
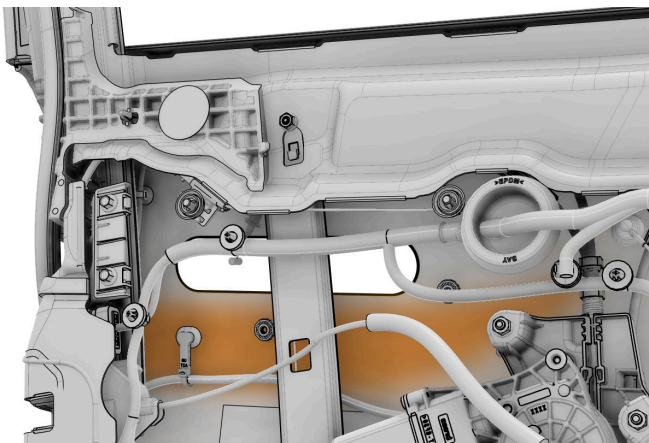


3. Using a scraper tool: Remove most of the adhesive from the highlighted areas.



4. Using a nylon mesh scuff pad or sandpaper: Remove any remaining adhesive.


5. Clean the highlighted area(s). Use alcohol wipes or rubbing alcohol on a clean cloth.



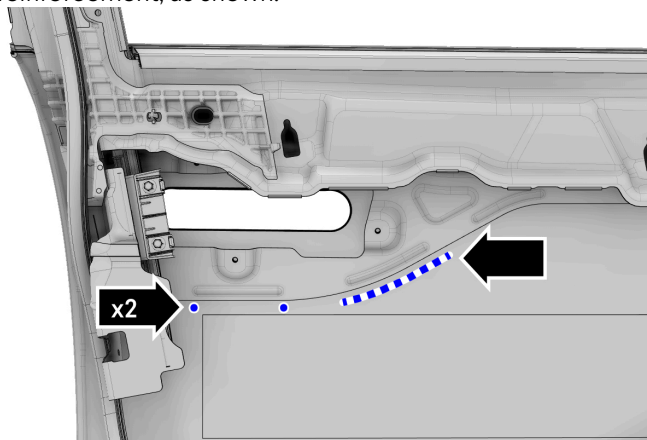
6. Check the expiration dates on the primer and adhesive.

7. Apply primer to the bare metal surfaces.

- Use the product(s) listed in this procedure, or exact equivalent(s).

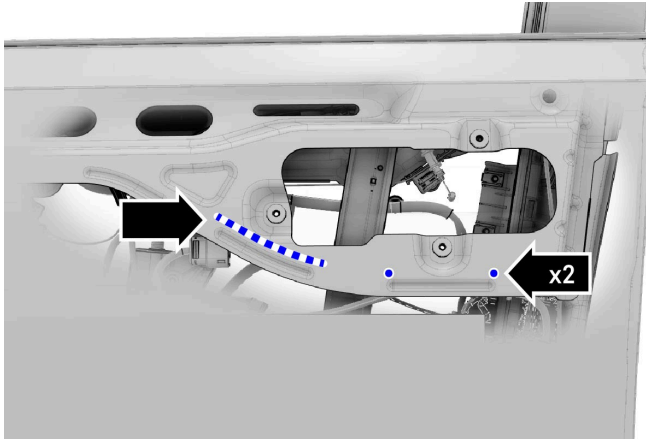
-  **CAUTION:** Check product packaging for the necessary drying time.

8. Apply 8 mm (5/16 inch) diameter beads of adhesive to the outer door panel, near the edge of the reinforcement, as shown.



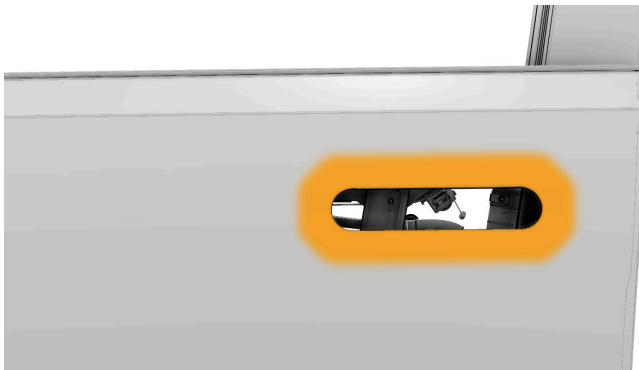
9. Put on disposable gloves.

10. Use a gloved finger to push the adhesive between the reinforcement and the outer door panel to the locations shown.




11. Temporarily compress the components together by hand. Remove any excess squeezed-out adhesive while the panels are compressed together.
12. Apply painters tape to the highlighted area.

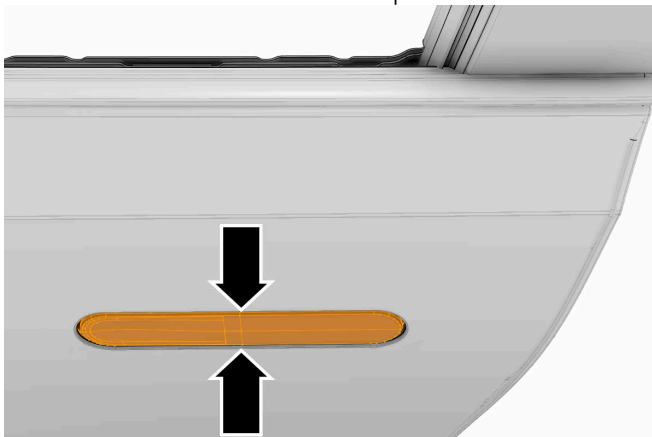
 **Tip:** Apply the tape so that it can be removed completely while the exterior door handle is installed.




13. Reinstall the door handle.

 **Tip:** If available: Use the special tool.

14. Insert an inflatable wedge behind the door handle. Inflate the wedge until the outer face of the door handle is flush with the outer door panel.



15. Allow the adhesive to cure.

 **CAUTION:** Check the product packaging for the necessary cure time.

16. Reinstall all components that were removed for access and replace all non-reusable components. Refer to the service manual procedures referenced in this document for additional component reusability information and torque specifications.

Labor Codes

Labor Code	Description
RSB562600101	Inspect 1 door, reinforcement does not require adhesive
RSB562600102	Inspect 1 door, re-adhere 1 door reinforcement
RSB562600103	Inspect 2 doors, reinforcements do not require adhesive
RSB562600104	Inspect 2 doors, re-adhere 1 door reinforcement
RSB562600105	Inspect 2 doors, re-adhere 2 door reinforcements
RSB562600106	Inspect 3 doors, reinforcements do not require adhesive
RSB562600107	Inspect 3 doors, re-adhere 1 door reinforcement
RSB562600108	Inspect 3 doors, re-adhere 2 door reinforcements
RSB562600109	Inspect 3 doors, re-adhere 3 door reinforcements
RSB562600110	Inspect 4 doors, reinforcements do not require adhesive
RSB562600111	Inspect 4 doors, re-adhere 1 door reinforcement
RSB562600112	Inspect 4 doors, re-adhere 2 door reinforcements
RSB562600113	Inspect 4 doors, re-adhere 3 door reinforcements
RSB562600114	Inspect 4 doors, re-adhere 4 door reinforcements