



**MAINTENANCE  
INFORMATION**

**MI26-00**

DATE :	February 2026	SECTION :	04 EXHAUST
SUBJECT :	<b>MUFFLER GASKET CLAMPS IMPROVEMENT FOR VOLVO D13 ENGINE</b>		

First Release

02-02-2026

**IMPORTANT NOTICE**

*This modification is recommended by PrevoSt to increase your vehicle's performance. Note that no reimbursement will be awarded for carrying out this modification.*

**APPLICATION**

Model	VIN
All PrevoSt vehicles Model Year : 2007 - 2026	
	All PrevoSt vehicles with Volvo D13 engine

**DESCRIPTION**

The gasket thickness was increased from 1.5 mm to 3 mm to prevent interference between the collar ends, which previously made it impossible to reach the specified tightening torque. Increasing the gasket thickness ensures sufficient clearance between the collar ends and thus guarantees optimal tightening.

**MATERIAL**

<p>21095726 Old gasket 1.5 mm</p>	<p>041204 new gasket 3.0 mm</p>
-----------------------------------	---------------------------------

**NOTE**

*Material can be obtained through regular channels.*

## SAFETY PRECAUTIONS

- Eye protection should always be worn when working in a shop.
- Rules for Personal Protection Equipment should always be respected. Wear your PPE including but not limited to the following:



# Safety First!



## PROCEDURE



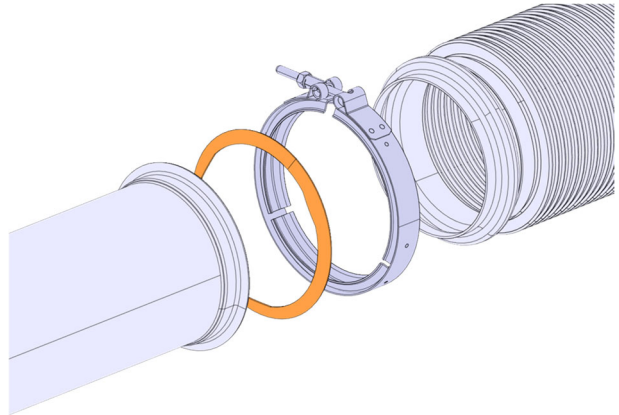
### DANGER

Park vehicle safely, apply parking brake, stop engine. Prior to working on the vehicle, set the ignition switch to the OFF position and trip the main circuit breakers equipped with a trip button. On Commuter type vehicles, set the battery master switch (master cut-out) to the OFF position.

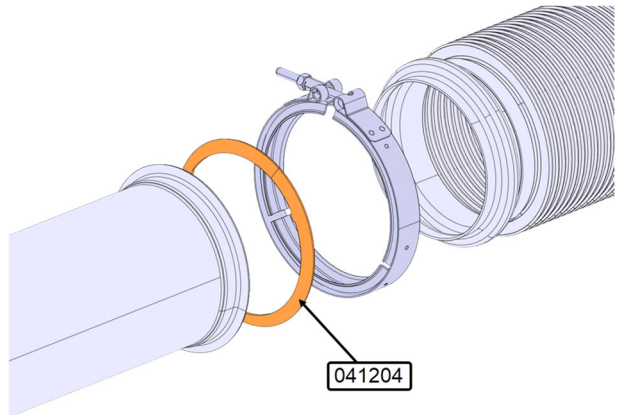
Lock out & Tag out (LOTO) must be performed during set-up, maintenance or repair activities. Refer to your local procedure for detailed information regarding the control of hazardous energy.

## GASKET REPLACEMENT

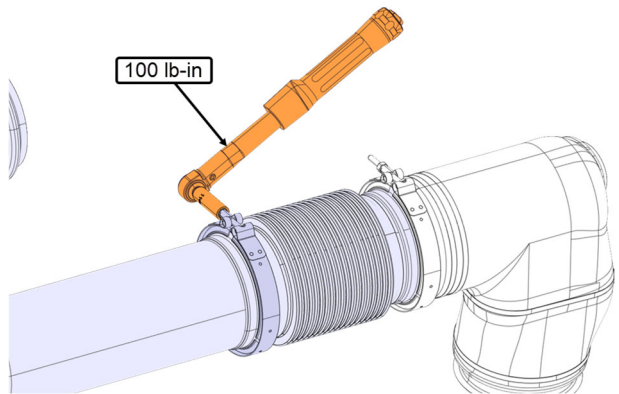
1. Remove the clamp and remove the gasket.
2. Discard the old gasket.



3. Install the new gasket 041204.



4. Reinstall the clamp.
5. Apply a torque **100 lb-in** to the clamp nut.



## PARTS / WASTE DISPOSAL

Discard according to applicable environmental regulations (Municipal/State[Prov.]/ Federal)

Access all our Service Bulletins on <http://techpub.prevostcar.com/en/>  
Or scan the QR-Code with your smart phone

**Are you a Vehicle owner?**  
E-mail us at [prevost.techpub@volvo.com](mailto:prevost.techpub@volvo.com) and type "ADD" in the subject to receive  
warranty bulletins applicable to your vehicle(s) by e-mail.

