

# NON-COMPLIANCE RECALL

**Mack Trucks Inc.**  
Greensboro, NC USA



---

| Date    | Number | Release | Page |
|---------|--------|---------|------|
| 02.2026 | EC0038 | 01      | 1(6) |

## **M0302 SCR Performance Software, MP7 Engine AN, CXU, and PI**

### **RECALL INFORMATION**

(February 2026)

Mack Trucks has determined that certain vehicles equipped with a model year (“MY”) 2017-2018 MP7 engine may not meet California and Federal Regulations (CARB). This Recall is for updated software that will reduce the amount of time necessary for the system to operate in a cold engine warm-up strategy and provide performance enhancements for the Selective Catalyst Reduction (SCR).

To ensure Mack remains emission compliant on these vehicles, follow the repair instructions outlined in this document to Program the Engine control Module and the Aftertreatment Control Module. Install a completion label in the door.

### **VEHICLES AFFECTED**

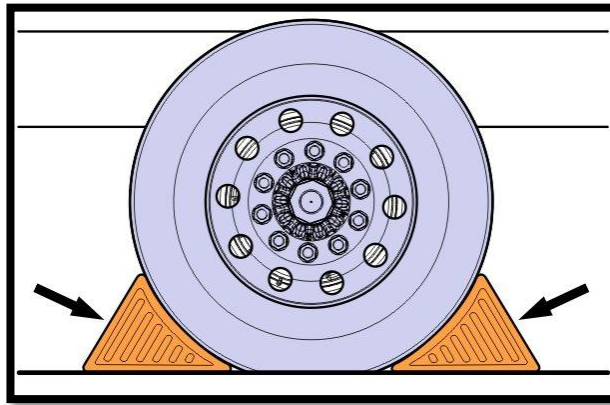
Certain Mack vehicles manufactured between October 14, 2016, and December 7, 2018.

### **VEHICLE QUANTITY**

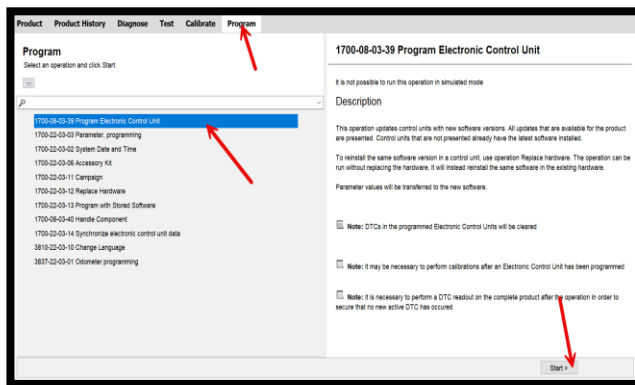
There are 13,349 vehicles affected by this recall.

### Repair Instructions

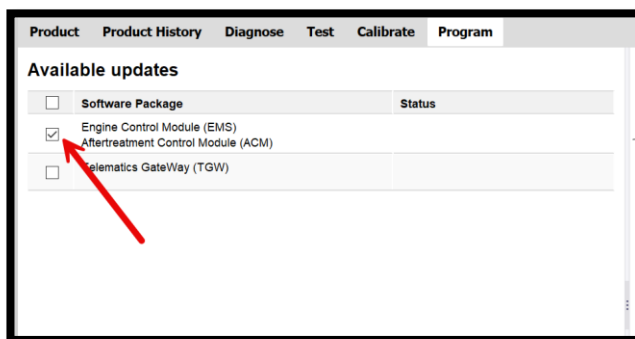
1. Park the vehicle on a level surface.
2. Apply the parking brake.
3. Place the gear lever in neutral.
4. Install wheel chocks.



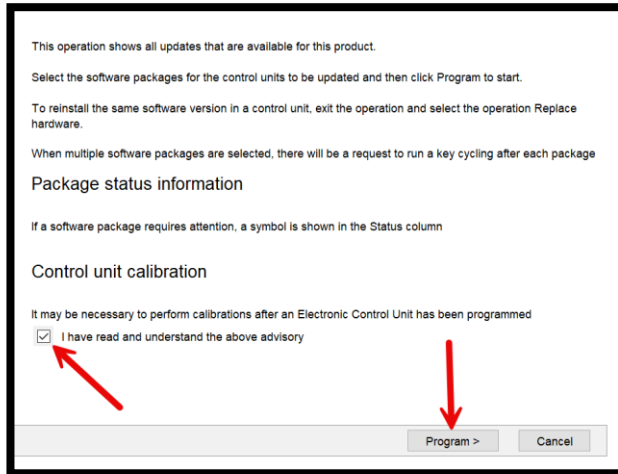
5. Turn on the ignition switch.
6. Log into PTT and connect to the vehicle.
7. Once the vehicle has been identified, enter the work order number, then click Start.
8. From the main menu select the Program tab, then select Program Electronic Control Unit 1700-08-03-39, then click Start.



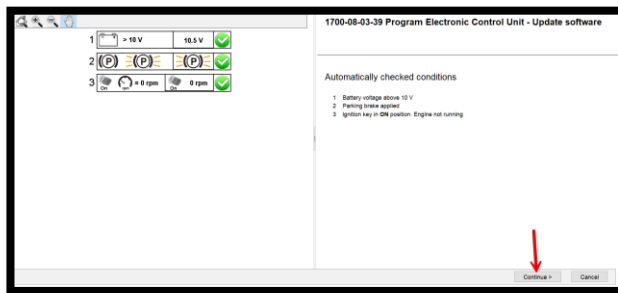
9. Select Engine Control Module (ECM) and Aftertreatment Control Module (ACM).



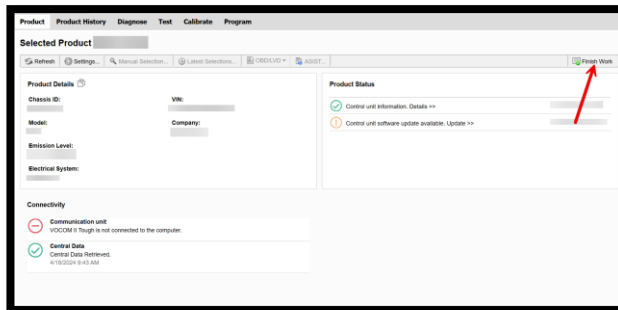
10. Check the Advisory Box, then click Program.



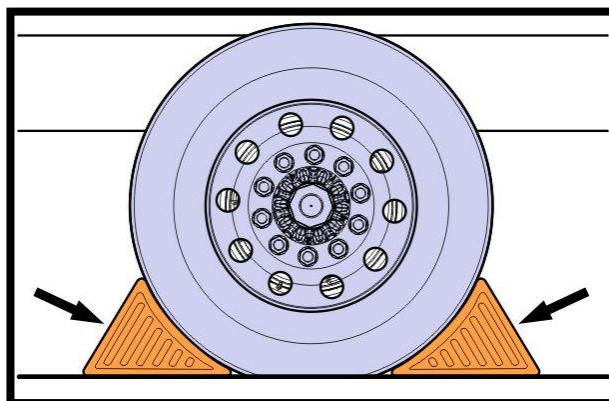
11. Certain conditions must be met to continue with the programming. Once all conditions are met, then click Continue to Start Programming.



12. Once programming has completed, clear any diagnostic trouble codes (DTC) and Finish Work.



13. Install and fill out the Campaign Completion Label if needed.  
14. Remove the wheel chocks.



15. Release vehicle to the customer.



**Important Note!**

If needed, print out this Emission Recall Proof of Correction Certificate. Fill in the appropriate information for your records and provide a copy to the customer.

**Vehicle Emissions Recall - Proof of Correction**

| License Number | Make | Year Model | Year Model | Vehicle Identification Number |
|----------------|------|------------|------------|-------------------------------|
|                |      |            |            |                               |

Manufacturer: \_\_\_\_\_ Recall Number: \_\_\_\_\_

The above described vehicle has been repaired, modified to address the Emissions Related Recall that is listed above.

Dealer's \_\_\_\_\_ Address, City, State \_\_\_\_\_

Dealer's Authorized Signature \_\_\_\_\_

**X** \_\_\_\_\_

Return this certificate to DMV only when required - otherwise retain for your records.

**REIMBURSEMENT**

|   |                             |
|---|-----------------------------|
| This repair is covered by an authorized Non-Compliance recall. Reimbursement is obtained through the normal claim handling process. |                             |
|   | <b>UCHP Reimbursement</b>   |
| <b>Claim Type</b> (used only when uploading from the Dealer Business System)  | 40                          |
| <b>Recall Status</b>  |                             |
| Vehicle repaired per instructions   | 1-Modified per instructions |
| <b>Labor code</b>   |                             |
| 2841-22-02-01 ECM and ACM, Reprogramming  | 0.4                         |
| <b>Causal Part</b>  | 3092091                     |
| <b>Authorization Number</b>   | M0302                       |

**Note:** Dealers are to perform Non-Compliance Recall on all subject vehicles at no charge to the vehicle owner regardless of mileage, age of vehicle or ownership (original purchaser or subsequent purchasers). Whenever vehicles are subject to a Non-Compliance Recall are brought to your dealership for service, or taken into your dealership vehicle inventory, it is strongly recommended that every effort be made to perform the recall correction before the vehicle is sold or released to the owner.