



Service Bulletin

Bulletin No.: PIT6464A

Date: February, 2026

PRELIMINARY INFORMATION

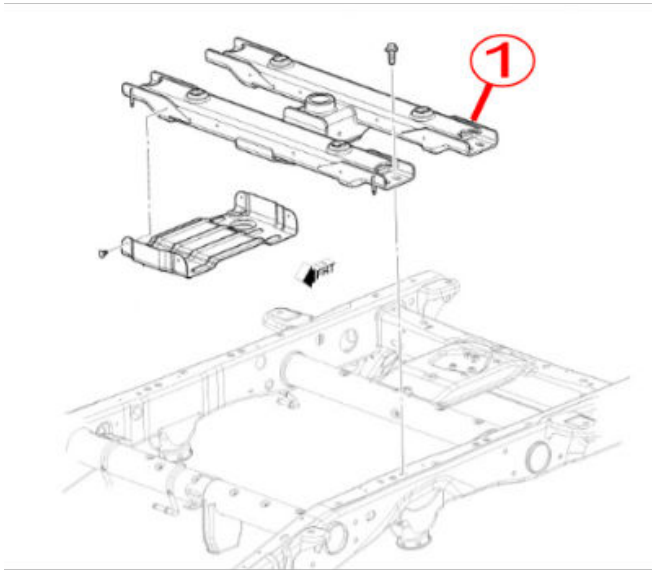
Subject: Fifth Wheel Hitch Does Not Latch Into Factory Box Mounted Hitch

Brand:	Model:	Model Year:		VIN:		Engine:	Transmission:
		from	to	from	to		
Chevrolet	Silverado 2500HD	2024-2026		All	All	All	All
Chevrolet	Silverado 3500HD	2024-2026		All	All	All	All
GMC	Sierra 2500HD	2024-2026		All	All	All	All
GMC	Sierra 3500HD	2024-2026		All	All	All	All

Involved Region or Country	North America
Additional Options (RPO)	Z6A Gooseneck / 5th Wheel Prep
Condition	A customer may comment that their Fifth Wheel Hitch will not latch / lock into the factory box mounted hitch locations.
Cause	The Box Mounted Trailer Hitch may be welded incorrectly due to a supplier quality concern.

Correction

Replace the Box Mounted Trailer Hitch (#1 below) to correct this concern. Use EPC to locate the correct Box Mounted Trailer Hitch using the VIN number.



7030038

Warranty Information

For vehicles repaired under the Bumper-to-Bumper coverage (Canada Base Warranty coverage), use the following labor operation. Reference the Applicable Warranties section of Investigate Vehicle History (IVH) for coverage information.

Labor Operation	Description	Labor Time
2210520	Box-Mounted Trailer Hitch Replacement	Use published labor time

Version	2
Modified	12/08/2025 - Created on 02/23/2026 - Updated Model Year