

**WSU3 – Replacing Air-Conditioning Compressor Shield Plate (Workshop Campaign)**

Important: **CRITICAL WARNING** -This campaign includes steps where control unit(s) in the vehicle will be programmed with the PIWIS Tester. The vehicle voltage must be maintained between 13.5 volts and 14.5 volts during this programming. Failure to maintain this voltage could result in damaged control unit(s). Damage caused by inadequate voltage during programming is not a warrantable defect. The technician must verify the actual vehicle voltage in the PIWIS Tester before starting the campaign and also document the actual voltage on the repair order.

Model Year: **As of 2025 up to 2026**

Vehicle Type: **Panamera 4 E-Hybrid (YAA/YAB)  
Panamera 4S E-Hybrid (YAA/YAB)**

Concerns: **Shield plate for air-conditioning compressor**

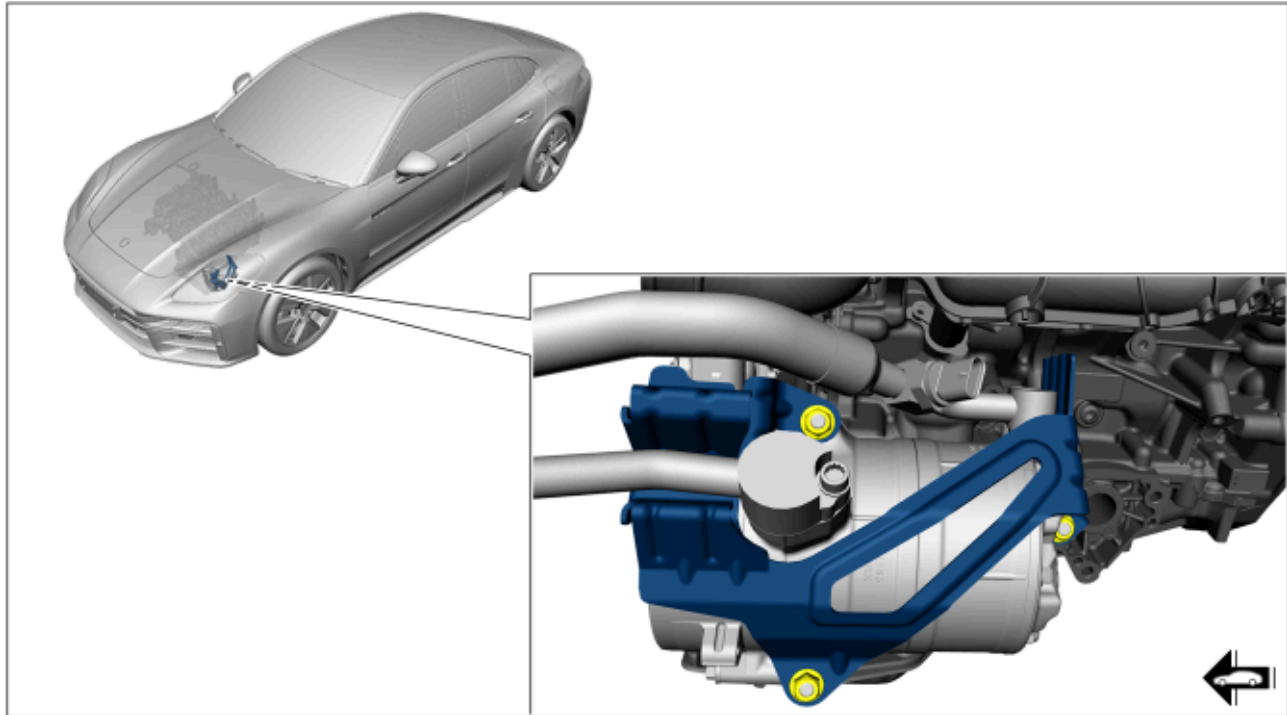
Information: **On the affected vehicles, there is the possibility that a shield plate was installed on the air-conditioning compressor with weld points that do not have the required strength.**  
In the event of an impact, the intended protective effect for the refrigerant lines cannot be fully guaranteed by the shield plate.

Action: replacing the air-conditioning compressor shield plate.

Affected Vehicles: Only vehicles assigned to the campaign (see also PCSS Vehicle Information).

## Installation

## Position:



*Air-conditioning compressor shield plate installation position*

### Required parts

The **part numbers** of the **required parts** for the respective vehicle can be seen in the **assigned scope**, see section "warranty processing".

### Required tools

#### Tools:

- **P90999 - Porsche Tester 4**
- Battery charger with a current rating of **at least 90 A** and a **current and voltage-controlled charge map** for lithium starter batteries, e.g. **VAS 5909 battery charger 90 A**. For further information about the battery chargers to be used, see the corresponding Workshop Manual. ⇒ *Workshop Manual '270689 Charging vehicle electrical system battery'*
- Torque wrench, 2-10 Nm (1.5-7.5 ftlb.), e.g. **V.A.G 1783 - torque wrench, 2-10 Nm (1.5-7.5 ftlb.)**
- Torque wrench 6-50 Nm (4.5-37 ftlb.), e.g. **V.A.G 1331A - torque wrench 6-50 Nm (4.5-37 ftlb.)**
- **VAS 6122 - Engine plug set**
- **VAS 6883A - Insulated tool set**
- **T40262 - Locking cap**
- **VAS 6410 - Contact surface cleaning set**
- **VAS 6558B - High-voltage measuring module**
- **VAS 6558A/51 - High-voltage measurement adapter**
- Air-conditioning service unit for R1234yf, e.g., **VAS 581 001A - Air-conditioning service unit R1234yf**

### Replacing air-conditioning compressor shield plate

- Work Procedure: 1 Remove the electric air-conditioning compressor and install it **with the new shield plate**.  
 ⇒ *Workshop Manual '873419A1 Removing and installing electric air-conditioning compressor'*
- 2 Enter the campaign in the Warranty and Maintenance Logbook.

### Warranty processing

Scope 1: **Replacing air-conditioning compressor shield plate**

<b>Labor time:</b>		
Replacing air-conditioning compressor shield plate		Labor time: <b>544 TU</b>
Includes:	Deactivating and activating high-voltage system Draining and topping up refrigerant R1234yf Removing and installing throttle body (left) Removing and installing electric air-conditioning compressor Connecting and disconnecting battery charger Connecting and disconnecting Porsche Tester Read out and delete fault memory	
<b>Required parts:</b>		
V04015199AA	Protective plate (shield plate for air-conditioning compressor)	1 piece
95557374902	Round sealing ring, 13.7 x 2.5-N	1 piece
99970755741	O-ring, 11.00 x 2.50NX	1 piece
9A713302601	Gasket	1 piece
WHT008539	Hexagon-head bolt with inner multiple-tooth head(Duo), M10 x 80	2 piece
PAF912696	Hexagon nut	2 piece
N 10664503	Hexagon-head bolt, M8 x 45	1 piece
N 91157202	Collared cheese head bolt with multiple-tooth head, M8 x 30	1 piece
<b>Required material – only if necessary:</b>		
WSU30000001*	Consumables Includes: – Refrigerant 1234yf – Compressor oil 1234yf	1 piece
*For invoicing the necessary material during the warranty processing, enter <b>Part No. WSU30000001</b> with the "Consumables" designation as an <b>additional part</b> costing \$2.95 in the warranty claim.		
⇒ <b>Damage number WSU3 066 000 2</b>		

**Important Notice:** Technical Bulletins issued by Porsche Cars North America, Inc. are intended only for use by professional automotive technicians who have attended Porsche service training courses. They are written to inform those technicians of conditions that may occur on some Porsche vehicles, or to provide information that could assist in the proper servicing of a vehicle. Porsche special tools may be necessary in order to perform certain operations identified in these bulletins. Use of tools and procedures other than those Porsche recommends in these bulletins may be detrimental to the safe operation of your vehicle, and may endanger the people working on it. Properly trained Porsche technicians have the equipment, tools, safety instructions, and know-how to do the job properly and safely. Part numbers listed in these bulletins are for reference only. The work procedures updated electronically in the Porsche PIWIS diagnostic and testing device take precedence and, in the event of a discrepancy, the work procedures in the PIWIS Tester are the ones that must be followed.

© 2026 Porsche Cars North America, Inc.