

Bulletin #: AS 19 26		<input type="checkbox"/> Take Note <input checked="" type="checkbox"/> Take Action	
<input type="checkbox"/> Retail Operator	<input type="checkbox"/> Sales Pre-Owned	<input checked="" type="checkbox"/> Business Manager	<input checked="" type="checkbox"/> Parts & Accessories
<input checked="" type="checkbox"/> General Manager	<input type="checkbox"/> Sales New Bike	<input checked="" type="checkbox"/> Service	<input type="checkbox"/> Administration
Name:		Phone Number:	
Title:		Source: Parts Logistics	
Email:			
Date: 2/25/2026		Supersedes: -	

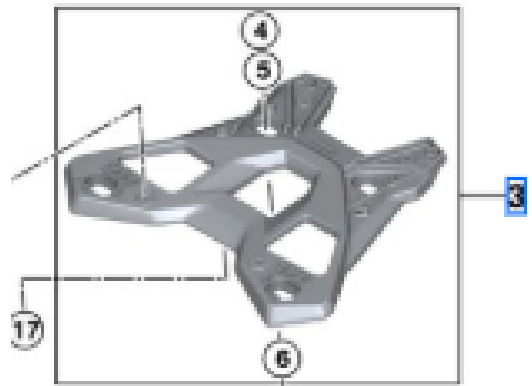
TEC846 CARRIER PLATE

INSPECT OF ALL PARTS ON STOCK

OVERVIEW

BMW AG has requested an inspection of all dealer stock of the part numbers listed below to ensure all parts in stock fall within the acceptable index code range.

Description	Part Number
Carrier Plate	46 54 5 A9D DB1



- The image to the right shows the parts as depicted in ETK. Please see under "MORE DETAILS" section for information to determine affected stock to be returned.
- Affected stock must not be sold or installed on any motorcycle.
- Affected is all stock of new spare parts shipped and delivered to date only.
- Please return all incorrect part(s) to your facing Regional Distribution Center (RDC). Submit for return using a YR26 damage claim with order reason BM2. A valid BMW delivery and delivery item number must be entered, and 'TEC846' must appear in the text of your TEC claim. For assistance locating the delivery number, please open an IDS ticket with Dealer Services in the Claims section directed to Returns/Claims/Quality.

MAKE LIFE A RIDE

MORE DETAILS

- TEC846 is valid from February 25, 2026, through March 18, 2026. The deadline for filing a claim under TEC846 is March 18, 2026.
- All parts must be returned to your facing RDC no later than April 1, 2026.
- Please re-order as needed.

Affected Parts (NOT OK)	Non Affected Parts (OK)
AI01 - AI03 CI01 - CI03	AI04 and higher CI04 and higher

[more Information](#)



example at the photo = AI02
 example at the photo = CI02

MORE QUESTIONS?

Material Planning and Parts Logistics Analyst		
---	--	--

MAKE LIFE A RIDE