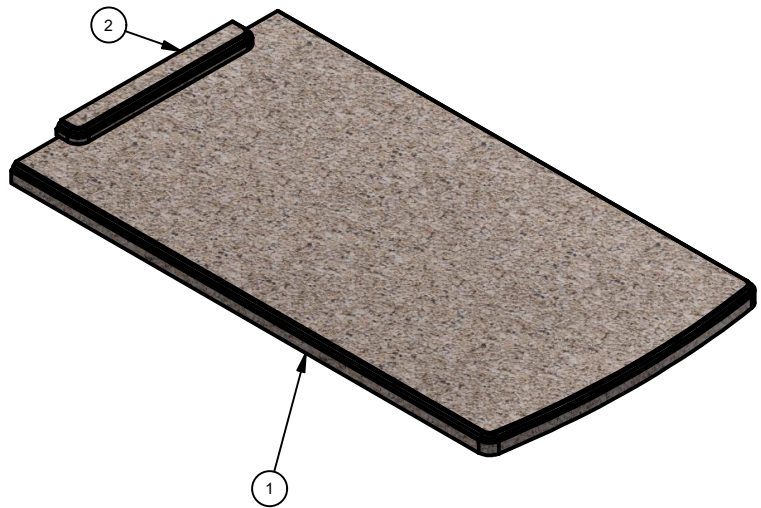
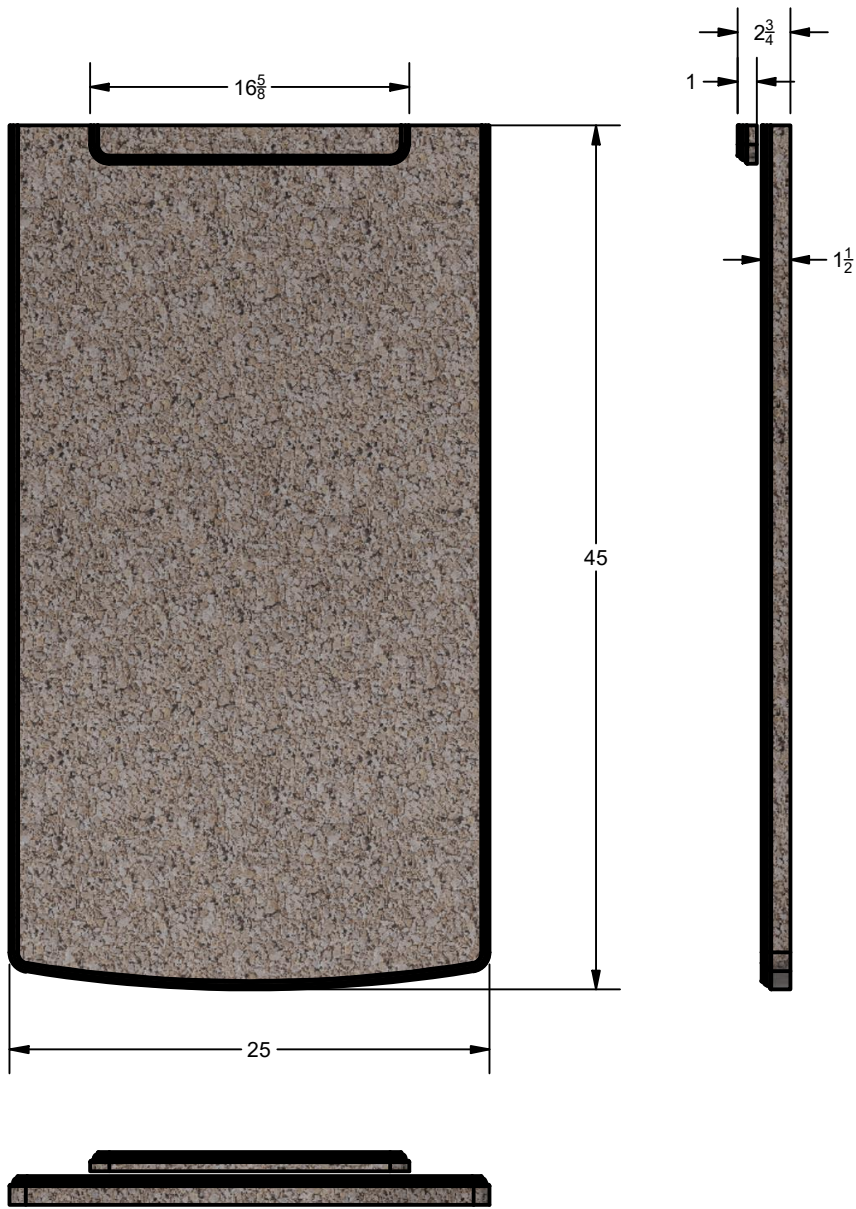


REVISION HISTORY				
REV	ECN#	DESCRIPTION	DATE	ENG
F		ADDED 40C	8/26/2016	BDI
G		ADDED 45A	9/27/2016	BDI
H		REMOVE OLD FLOORPLANS 40A,40B ADD 40D	2/14/2018	RDB
I		ADD 45B	6/8/2018	RDB
J		UPDATE EDGE AND ADD NOTE	2/21/2020	RDB



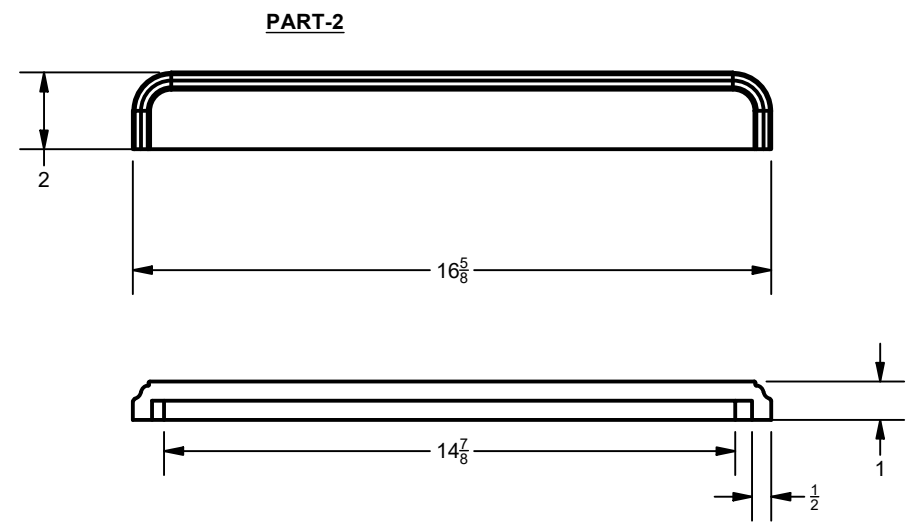
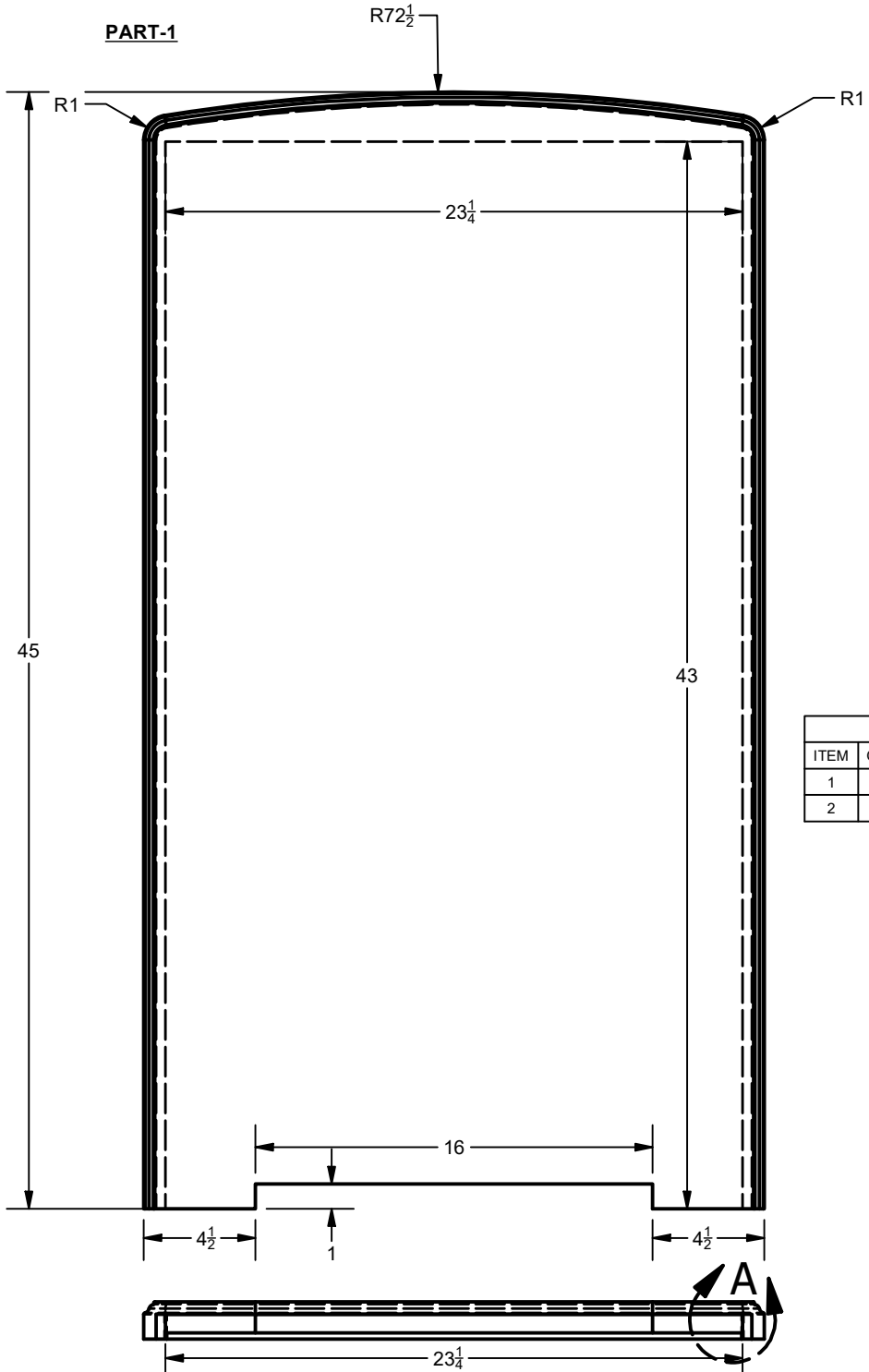
OGEE EDGE PROFILE ON BOTH PARTS  
USE BIT #697758



Parts List				
ITEM	QTY	STOCK NUMBER	DESCRIPTION	
1	1	1300-500818	PT-1	
2	1	1300-500818	PT-2	

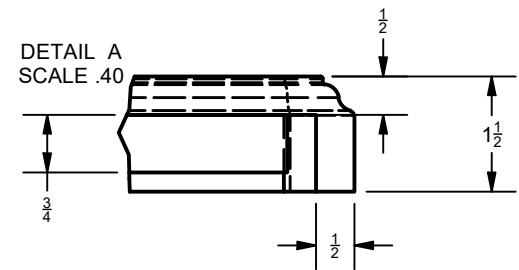
DIMENSIONS ARE IN INCHES UNLESS OTHERWISE SPECIFIED ANGULAR $\pm 1'$ FRACTIONAL $\pm \frac{1}{16}$	DRAWN rburch	DATE 4/1/2015	<b>FOREST RIVER</b> DIESEL MOTOR HOME DIVISION	
	CHECKED	DATE		
UNIT: 40BH 43C 40D 45CA 40C 43B 45A 45B 45E 40E	MATERIAL:	TITLE TOP, DINETTE		
THIS DOCUMENT IS THE PROPERTY OF FOREST RIVER INC. UNAUTHORIZED USE OR DISCLOSURE OF INFORMATION HEREIN IS STRICTLY PROHIBITED.	FINISH:	DWG NO 1300-500818		DO NOT SCALE SHEET 1 OF 2





Part-1			
ITEM	QTY	STOCK NUMBER	DESCRIPTION
1	1	SOLID SURFACE	CT, 1 1/2 X 24 X 45
2	1		PLYWOOD, 3/4 X 23 1/4" X 43"

Part-2			
ITEM	QTY	STOCK NUMBER	DESCRIPTION
1	1	SOLID SURFACE	CT, 1 X 2 X 16 5/8
2	1	0280-000006	PLYWOOD, 1/2 X 1 1/8" X 14 7/8"

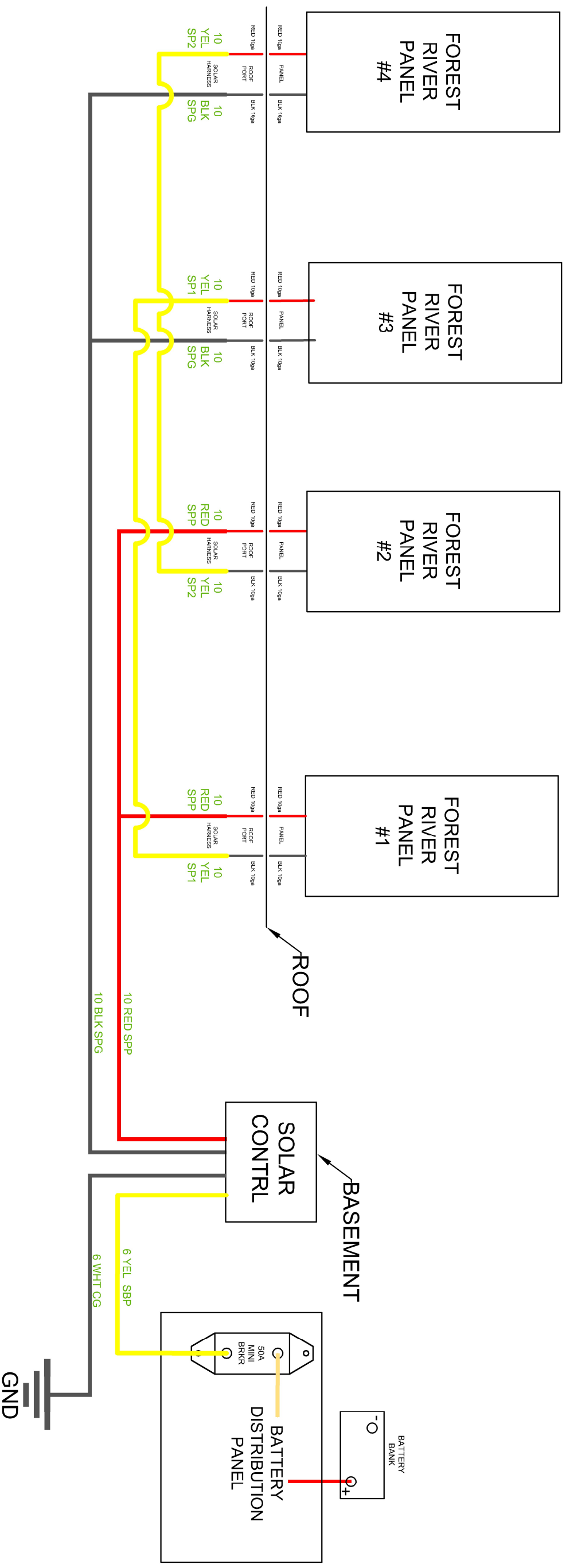


DIMENSIONS ARE IN INCHES UNLESS OTHERWISE SPECIFIED		DRAWN rburch	DATE 4/1/2015
ANGULAR ± 1°		CHECKED	DATE
FRACTIONAL ± 1/16"		MATERIAL:	
UNIT:		FINISH:	
40BH	43C	THIS DOCUMENT IS THE PROPERTY OF FOREST RIVER INC. UNAUTHORIZED USE OR DISCLOSURE OF INFORMATION HEREIN IS STRICTLY PROHIBITED.	
40D 45CA	40C		
43B	45A		
45B 45E	40E		

<b>FOREST RIVER</b>	
DIESEL MOTOR HOME DIVISION	
TITLE TOP, DINETTE	
DWG NO 1300-500818	
DO NOT SCALE	SHEET 2 OF 2

# SERIES/PARALLEL OPTIONAL 4 - PANELS INSTALL

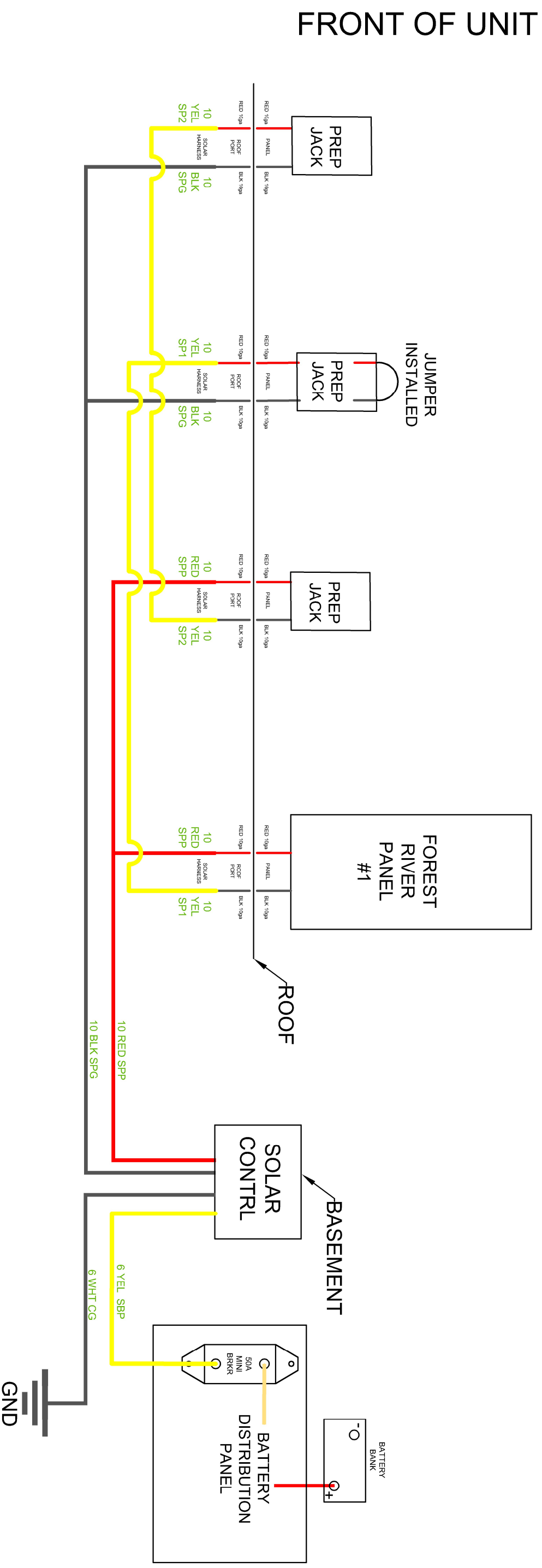
FRONT OF UNIT



TOLERANCES ON MACHINED PARTS.		DRAWN: R.DYE		DATE: 3/20/23	
INCHES XX ± .05 XXX ± .03	METRIC X .3mm XX 10mm	ALL OTHER PARTS AND ASSEMBLY TOLERANCES SHOULD BE HELD AS CLOSE AS POSSIBLE.		MATERIAL: GXL or Equiv.	PRINT LOCATION: SYSTEMS
MODEL(S): BERKSHIRE XLT, CHARLESTON BERKSHIRE XL		FLOORPLAN(S): CHARLESTON, BERKSHIRE XLT, BERKSHIRE XL		DO NOT SCALE DRAWING	
USAGE OF THE INFORMATION CONTAINED ON THIS DOCUMENT IS CONTINGENT ON AGREEMENT TO THE CONDITIONS STATED ON PAGE 1.					
FOREST RIVER INC DIESEL MOTOR HOME DIVISION			TITLE <b>OPT 4PNL INSTALL</b>		
DWG/PRINT NUMBER: 0620-500596.dwg			REV: <b>D</b>		
SHEETS: 3 / 4					

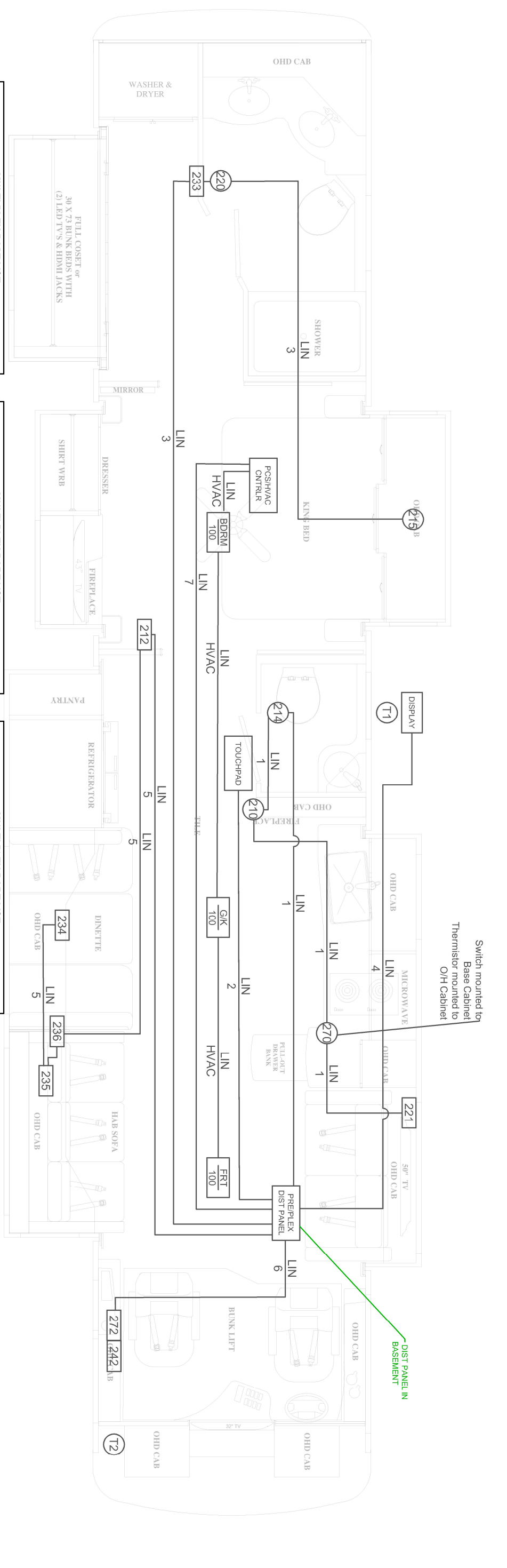
REVISION		DESCRIPTION	DATE	AUTHOR
REV	ECN			
A	2023MY	REPLACES 0610-500521	3/7/2022	BBM
B	2023MY	ADDED LYRS FOR STD AND OPTIONAL 4 PNL SETUP	7/28/2022	BBM
C	2140	SOLAR PANELS CHGD TO 200W CHGD PWR/GND WIRES TO 6GA	10/27/2022	BBM
D	2188	CHANGED SOLAR CONTROLLER DESCRIPTION	3/20/2023	BBM

## STANDARD SINGLE PANEL INSTALLATION



**SOLAR PANELS ARE WIRED  
SERIES/PARALLEL**

TOLERANCES ON MACHINED PARTS.		DATE	3/20/23
INCHES	METRIC	DRAWN:	R.DYE
XXX ± .05	X .3mm	MATERIAL:	GXL or Equiv.
XXX ± .03	XX 10mm	APPLICATION:	Electrical
ALL OTHER PARTS AND ASSEMBLY TOLERANCES SHOULD BE HELD AS CLOSE AS POSSIBLE.		PRINT LOCATION:	SYSTEMS
MODEL(S): BERKSHIRE XLT, CHARLESTON BERKSHIRE XL		DO NOT SCALE DRAWING	
FLOORPLAN(S):		USAGE OF THE INFOMATION CONTAINED ON THIS DOCUMENT IS CONTINGENT ON AGREEMENT TO THE CONDITIONS STATED ON PAGE 1.	
FOREST RIVER INC		TITLE	
DIESEL MOTOR HOME DIVISION		STD INSTALL	
DWG/PRINT NUMBER: 0620-500596.dwg		REV: D	
SHEETS: 2 / 4			



QTY	DESCRIPTION (STD)	Precat# P/N
1	7" TOUCH SCREEN	00-10104-005
1	MASTER PANEL	00-10116-001
1	50 AMP w/PCS (12 STAB)	00-10020-170
1	50 AMP (12 STAB)	00-10020-100
4	110V RELAY (1 BICKHr/1 F-FTV/2 F-I-H)	00-10026-200
3	TANK MODULE, PRESSURE	00-10082-224
1	TANK BAY DISPLAY	00-10086-000
3	HVAC MODULE (HI SIG) 1 PER AC	00-10058-100
7	THM NUGGET (5 HVAC/1 AMB/1 TNK)	00-10075-000
-	SHADE MODULE	00-10118-400
SWITCHES		
1	KIT/LR WALL SW (4 POS)	00-10098J210
-	HALL WALL SW (4 POS)	00-10098J211
1	BDRM WALL SW (4 POS)	00-10098J212
-	DINETTE SW (8 POS)	00-10099J271
1	BATH 1 SW (8 POS)	00-10099K214

QTY	DESCRIPTION (STD)	Precat# P/N
1	BED OH SW (8 POS)	00-10099J215
-	ACCENT/TV SW (4 POS)	00-10098J216
1	BATH 2 SW (8 POS)	00-10099K220
1	S/O SOFA 2 (4 POS)	00-10098J221
-	HALL WALL SW (4 POS)	00-10098K231
-	S/O SOFA (4 POS)	00-10098K232
1	BUNKRM SW (4 POS)	00-10098J233
1	DINETTE SW (4 POS)	00-10098J234
1	TV LIFT SW (4 POS)	00-10098J235
1	SOFA SW (4 POS)	00-10098J236
-	2ND SOFA SW (4 POS)	00-10098J237
-	3RD SOFA SW (4 POS)	00-10098J238
-	STOOL SW (4 POS)	00-10098J239
1	KIT WALL SW (4 POS)	00-10098J270
1	ENTRY SW (4 POS)	00-10098K272
-	BED OH DRESS SHADE SW (4 POS)	00-10098K273
1	ENTRY DOOR AWNING SW (8 POS)	00-10099K242

QTY	DESCRIPTION (STD)	Precat# P/N
-	HALL SW (4 POS)	00-10098J240
-	BED OH SHADE SW (8 POS)	00-10099K274
-	BEDRM WALL SW W/SHADE (8 POS)	00-10099K275

DISPLAY INFO	DEVICE	THERMISTOR LOCATION
REAR AC	REAR AC	215
HYD HEAT ZONE 4	HYD HEAT ZONE 4	215
LIVING ROOM	MID-SHIP AC	210
KITCHEN	FRONT AC	270
BATH 1	HYD HEAT ZONE 1	270
COMPARTMENT	HYD HEAT ZONE 3	214
OUTSIDE	HYD HEAT ZONE 2	T1 (MASTER)
REAR BATH	WTR LINE HTR ON1,4	T1 (MASTER)
	AMBIENT AIR TEMP	T2 (MASTER)
	HYD HEAT ZONE 5	220

TOLERANCES ON MACHINED PARTS.		DRAWN: <b>BMAIN</b>	DATE: <b>2/27/24</b>
INCHES	METRIC	MATERIAL: <b>Code</b>	PRINT LOCATION: <b>SYSTEMS</b>
XX ± .05	X .3mm	APPLICATION: <b>Electrical</b>	DO NOT SCALE DRAWING
XXX ± .03	.XX 10mm		
MODEL(S): <b>BERKSHIRE, BERKSHIRE XL, BERKSHIRE XLT, CHARLESTON</b>		FLOOR PLAN(S): <b>ALL, ----, ----,</b>	

USAGE OF THE INFORMATION CONTAINED ON THIS DOCUMENT IS CONTINGENT ON AGREEMENT TO THE CONDITIONS STATED ON PAGE 1.		DWG/PRINT NUMBER: <b>0620-500962.dwg</b>	REV: <b>C</b>
<b>FOREST RIVER INC</b>		<b>DIESEL MOTOR HOME DIVISION</b>	
<b>mplex LAYOUT, 45E_LIN</b>			
<b>TITLE</b>			
<b>mplex LAYOUT, 45E_LIN</b>			
PAGE:		PAGE:	

# DISCLAIMER

**ATTENTION: BY CONTINUING TO UTILIZE THE CONTAINED DOCUMENTS YOU HAVE AGREED TO ADHERE TO THE FOLLOWING UNDERSTANDING.**

## CAUTION:

THESE SCHEMATICS WERE DESIGNED FOR USE BY AUTHORIZED FOREST RIVER INC DEALERS OR QUALIFIED SERVICE CENTER. IF YOU DO NOT HAVE THE TRAINING, SKILLS, TOOLS, OR EQUIPMENT NECESSARY TO PERFORM DIAGNOSTIC OR REPAIR WORK RELATING TO THE SCHEMATICS, DO NOT ATTEMPT TO DO SO. IN NO EVENT SHALL FOREST RIVER INC BE LIABLE FOR ANY DIRECT, INDIRECT, PUNITIVE, INCIDENTAL, SPECIAL, AND/OR CONSEQUENTIAL DAMAGES TO PERSON OR PROPERTY ARISING OUT OF OR CONNECTED WITH THE USE OR MISUSE OF THESE SCHEMATICS AND/OR FOREST RIVER INC PRODUCTS.

## DANGER:

WARNING: DANGER OF ELECTRICAL SHOCK, BURNS, OR DEATH. BEFORE ATTEMPTING ANY REPAIR, SERVICE, OR DIAGNOSTIC WORK, ALWAYS REMOVE ALL POWER SOURCES. POWER CAN BE PRESENT FROM SHORE POWER, GENERATOR, INVERTER, OR BATTERY. ALL POWER SOURCES MUST BE DISABLED AND SECURED BEFORE PERFORMING ANY SERVICE.

## PROPRIETARY:

THE INFORMATION CONTAINED IN THIS DOCUMENT IS PROPRIETARY, CONFIDENTIAL, AND INTENDED ONLY FOR FOREST RIVER INC PERSONNEL, AUTHORIZED FOREST RIVER INC DEALERS, OR OTHER QUALIFIED REPAIR SHOPS. NEITHER THIS DRAWING NOR ANY REPRODUCTION THEREOF MAY BE USED FOR ANY PURPOSE WITHOUT PERMISSION IN WRITING FROM FOREST RIVER INC, INC. IF YOU ARE NOT THE INTENDED RECIPIENT, PLEASE RETURN TO FOREST RIVER INC, INC. OR DESTROY. PLEASE NOTE THAT ANY USE OR CIRCULATION OF THIS DOCUMENT IS NOT PERMITTED AND MAY BE CAUSE FOR LEGAL ACTION.

ALL INFORMATION CONTAINED ON THESE PRINTS IS BELIEVED TO BE ACCURATE AT THE TIME OF PUBLICATION. HOWEVER, DURING THE MODEL YEAR, IT MAY BE NECESSARY TO MAKE REVISIONS AND FOREST RIVER INC, INC. RESERVES THE RIGHT TO MAKE CHANGES WITHOUT NOTICE, INCLUDING DIAGRAMS, DIMENSIONS, LAYOUTS, EQUIPMENT AND SPECIFICATIONS AS WELL AS THE ADDITION OF NEW MODELS AND THE DISCONTINUANCE OF MODELS SHOWN ON THE WEBSITE.

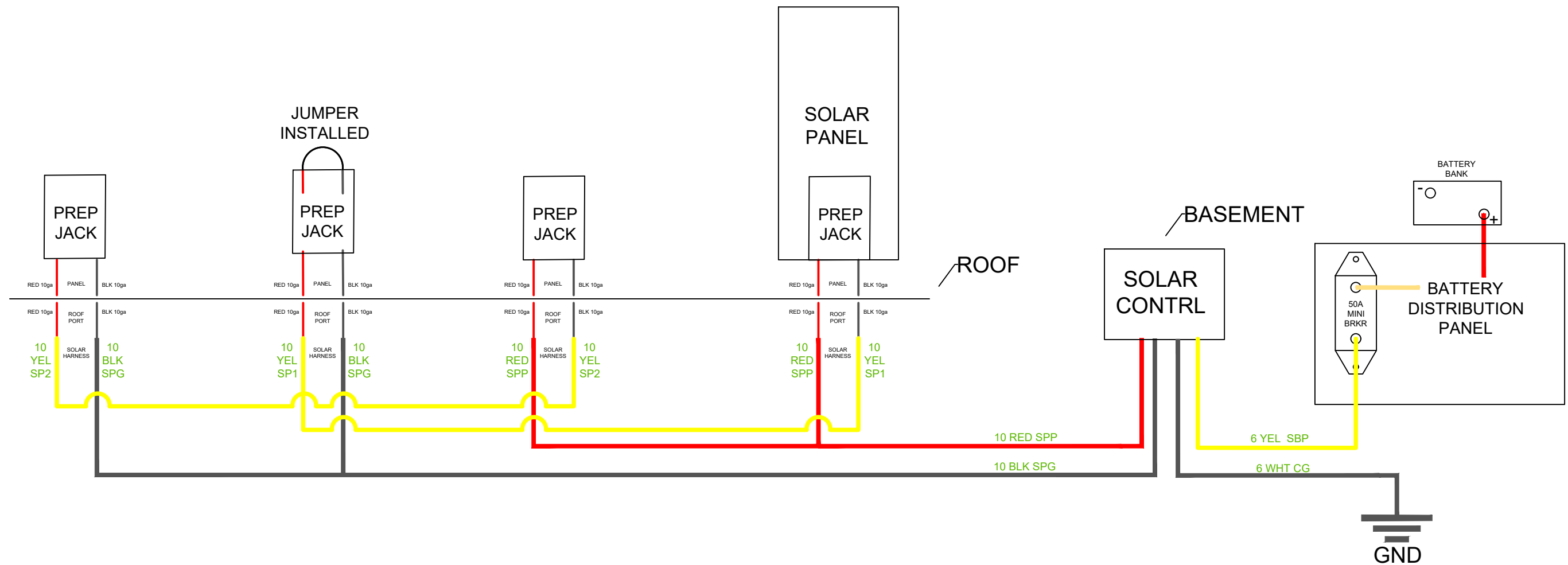
TOLERANCES ON MACHINED PARTS.			DRAWN: R.DYE		DATE: 12/6/24	FOREST RIVER INC	
INCHES	METRIC	ALL OTHER PARTS AND ASSEMBLY TOLERANCES SHOULD BE HELD AS CLOSE AS POSSIBLE.	MATERIAL:	PRINT LOCATION:		DIESEL MOTOR HOME DIVISION	
.XX ± .05 .XXX ± .03	.X .3mm .XX 10mm		GXL or Equiv.	SYSTEMS		TITLE	
MODEL(S): BERKSHIRE XLT, CHARLESTON BERKSHIRE XL		FLOORPLAN(S):	APPLICATION: Electrical	DO NOT SCALE DRAWING		DISCLAIMER	
USAGE OF THE INFORMATION CONTAINED ON THIS DOCUMENT IS CONTINGENT ON AGREEMENT TO THE CONDITIONS STATED ON PAGE 1.			DWG/PRINT NUMBER: 0620-500596.dwg		REV: E		
			SHEETS: 1 / 4				

# REVISION

REV	ECN	DESCRIPTION	DATE	AUTHOR
A	2023MY	REPLACES 0610-500521	3/7/2022	BBM
B	2023MY	ADDED LYRS FOR STD AND OPTIONAL 4 PNL SETUP	7/28/2022	BBM
C	2140	SOLAR PANELS CHGD TO 200W CHGD PWR/GND WIRES TO 6GA	10/27/2022	BBM
D	2188	CHANGED SOLAR CONTROLLER DESCRIPTION	3/20/2023	BBM
E	NA	ADDED DRAWING FOR 2ND PANEL CUSTOMER INSTALL OPTIONS	12/6/2024	BBM

## STANDARD SINGLE PANEL INSTALLATION

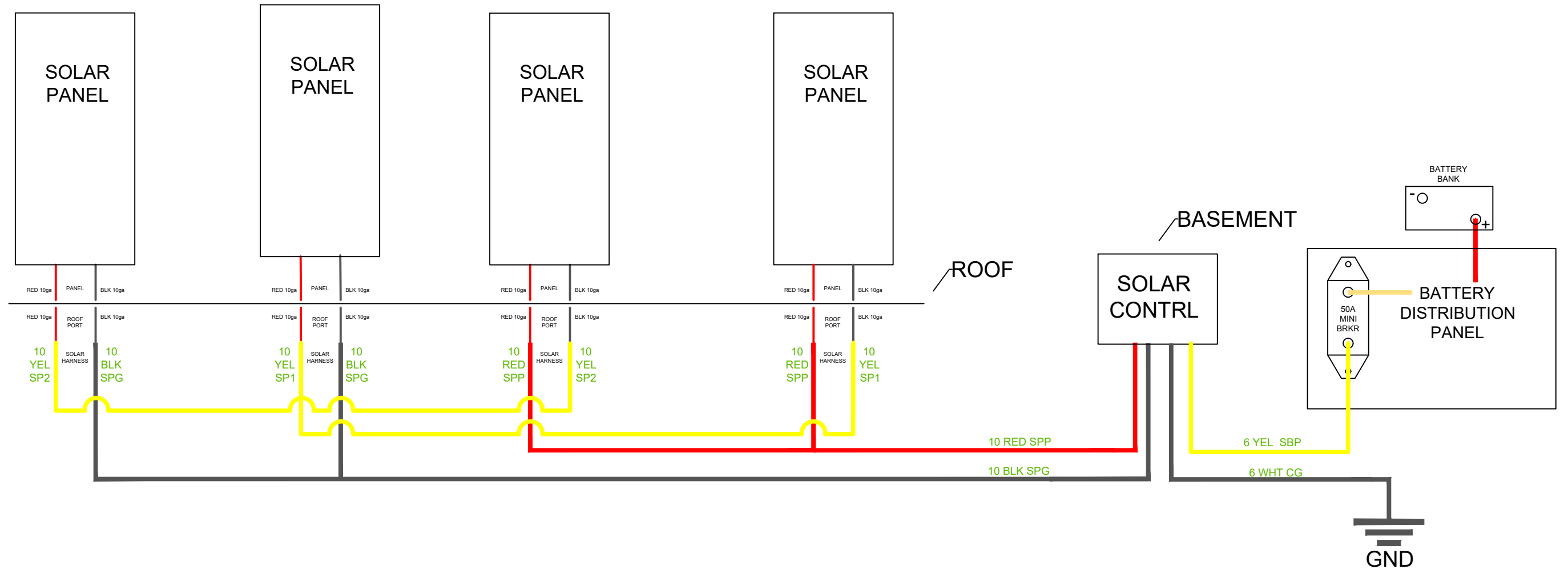
FRONT OF UNIT



TOLERANCES ON MACHINED PARTS.		DRAWN: R.DYE		DATE: 12/6/24		FOREST RIVER INC DIESEL MOTOR HOME DIVISION	
INCHES	METRIC	MATERIAL: GXL or Equiv.		PRINT LOCATION: SYSTEMS			
.XX ± .05 .XXX ± .03	.X .3mm .XX 10mm	ALL OTHER PARTS AND ASSEMBLY TOLERANCES SHOULD BE HELD AS CLOSE AS POSSIBLE.		APPLICATION: Electrical		DO NOT SCALE DRAWING	
MODEL(S): BERKSHIRE XLT, CHARLESTON BERKSHIRE XL		FLOORPLAN(S):		USAGE OF THE INFORMATION CONTAINED ON THIS DOCUMENT IS CONTINGENT ON AGREEMENT TO THE CONDITIONS STATED ON PAGE 1.			
TITLE: STD INSTALL						REV: E	
DWG/PRINT NUMBER: 0620-500596.dwg						SHEETS: 2 / 4	

# SERIES/PARALLEL OPTIONAL 4 - PANELS INSTALL

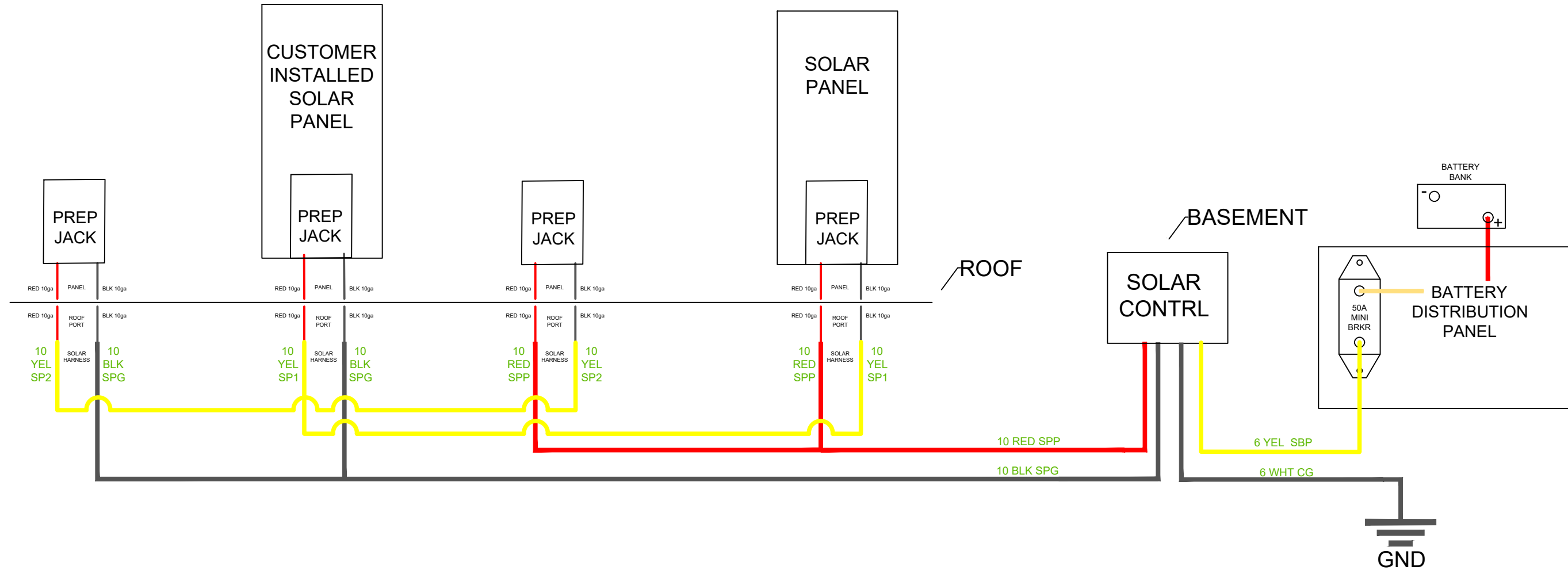
FRONT OF UNIT



TOLERANCES ON MACHINED PARTS.		DRAWN: <b>R.DYE</b>	DATE <b>12/6/24</b>	<b>FOREST RIVER INC</b> DIESEL MOTOR HOME DIVISION	
INCHES	METRIC	ALL OTHER PARTS AND ASSEMBLY TOLERANCES SHOULD BE HELD AS CLOSE AS POSSIBLE.	MATERIAL: GXL or Equiv.	PRINT LOCATION: SYSTEMS	
.XX ± .05 .XXX ± .03	.X .3mm .XX 10mm		APPLICATION: Electrical	DO NOT SCALE DRAWING	
MODEL(S): BERKSHIRE XLT, CHARLESTON BERKSHIRE XL		FLOORPLAN(S): CHARLESTON, BERKSSHIRE XLT, BERKSHIRE XL,		USAGE OF THE INFORMATION CONTAINED ON THIS DOCUMENT IS CONTINGENT ON AGREEMENT TO THE CONDITIONS STATED ON PAGE 1.	
				<b>OPT 4PNL INSTALL</b>	
				DWG/PRINT NUMBER: 0620-500596.dwg	REV: <b>E</b>
				SHEETS: <b>3 / 4</b>	

# CUSTOMER INSTALLED 2ND PANEL - WIRED IN PARALLEL

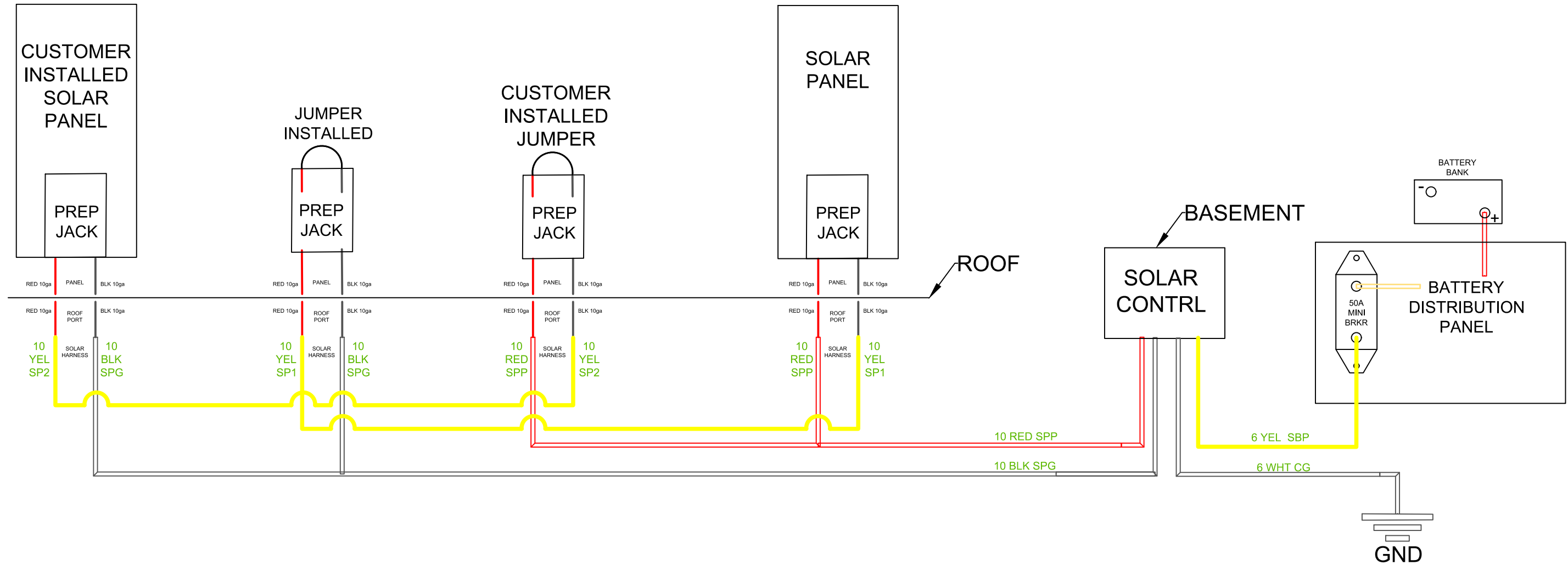
FRONT OF UNIT



TOLERANCES ON MACHINED PARTS.		DRAWN: R.DYE		DATE 12/6/24		FOREST RIVER INC DIESEL MOTOR HOME DIVISION	
INCHES	METRIC	ALL OTHER PARTS AND ASSEMBLY TOLERANCES SHOULD BE HELD AS CLOSE AS POSSIBLE.		MATERIAL: GXL or Equiv.			
.XX ± .05 .XXX ± .03	.X .3mm .XX 10mm			MODEL(S): BERKSHIRE XLT, CHARLESTON BERKSHIRE XL		APPLICATION: Electrical	
FLOORPLAN(S):		USAGE OF THE INFORMATION CONTAINED ON THIS DOCUMENT IS CONTINGENT ON AGREEMENT TO THE CONDITIONS STATED ON PAGE 1.				TITLE CUST ADD 1	
						DWG/PRINT NUMBER: 0620-500596.dwg	
						SHEETS: 4 / 4	

# CUSTOMER INSTALLED 2ND PANEL - WIRED IN SERIES

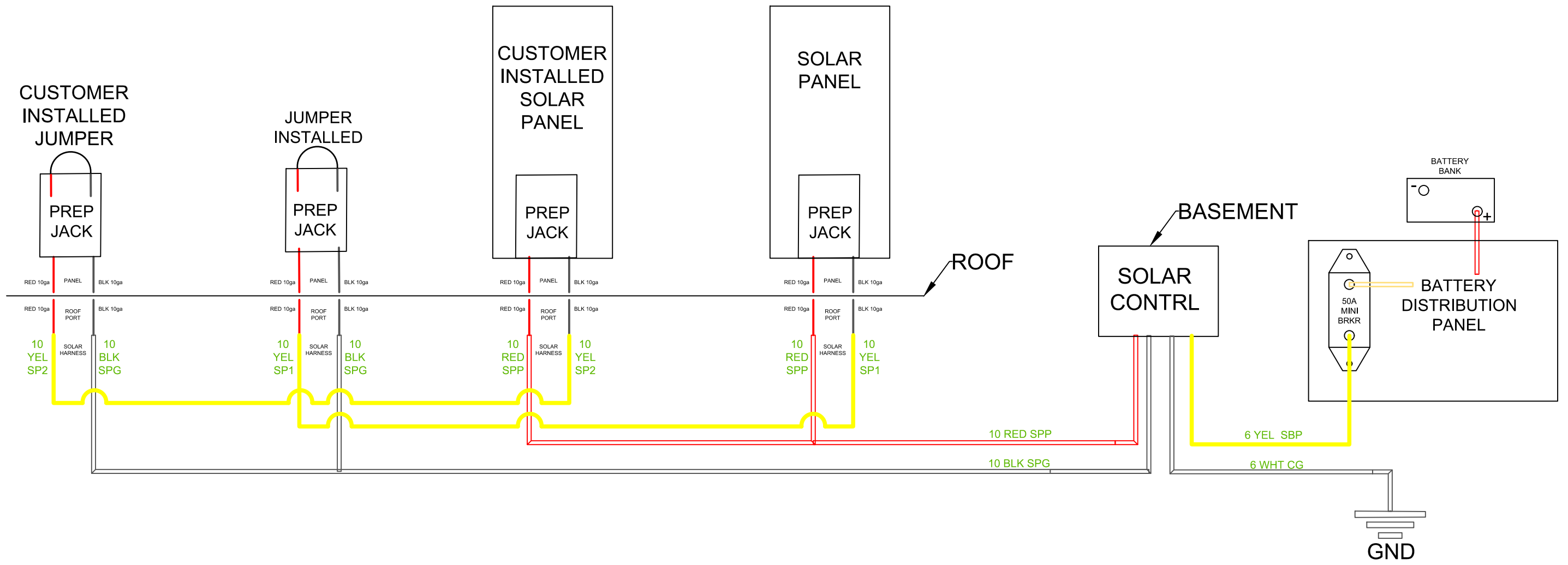
FRONT OF UNIT



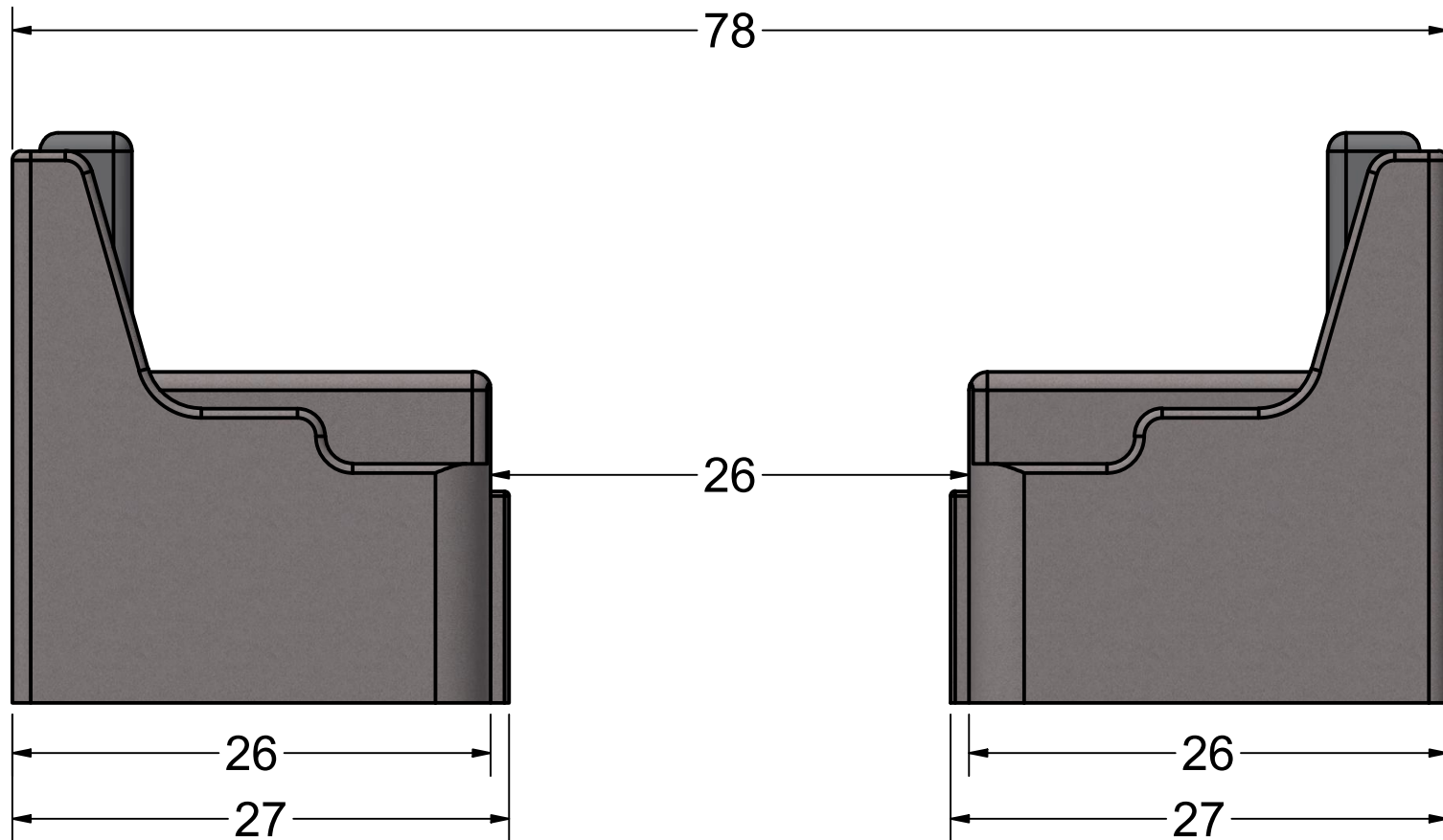
TOLERANCES ON MACHINED PARTS.		DRAWN: R.DYE		DATE: 12/6/24		FOREST RIVER INC DIESEL MOTOR HOME DIVISION	
INCHES	METRIC	MATERIAL: GXL or Equiv.		PRINT LOCATION: SYSTEMS			
.XX ± .05 .XXX ± .03	.X .3mm .XX 10mm	ALL OTHER PARTS AND ASSEMBLY TOLERANCES SHOULD BE HELD AS CLOSE AS POSSIBLE.		APPLICATION: Electrical		DO NOT SCALE DRAWING	
MODEL(S): BERKSHIRE XLT, CHARLESTON, BERKSHIRE XL		FLOORPLAN(S):		USAGE OF THE INFORMATION CONTAINED ON THIS DOCUMENT IS CONTINGENT ON AGREEMENT TO THE CONDITIONS STATED ON PAGE 1.		TITLE: Cust Add 1(2)	
						DWG/PRINT NUMBER: 0620-500596.dwg	
						SHEETS: 4 / 4	


# CUSTOMER INSTALLED 2ND PANEL - WIRED IN SERIES #2

FRONT OF UNIT



TOLERANCES ON MACHINED PARTS.		DRAWN: R.DYE		DATE: 12/6/24		FOREST RIVER INC DIESEL MOTOR HOME DIVISION	
INCHES	METRIC	ALL OTHER PARTS AND ASSEMBLY TOLERANCES SHOULD BE HELD AS CLOSE AS POSSIBLE.		MATERIAL: GXL or Equiv.			
.XX ± .05 .XXX ± .03	.X .3mm .XX 10mm			MODEL(S): BERKSHIRE XLT, CHARLESTON BERKSHIRE XL		APPLICATION: Electrical	
FLOORPLAN(S):		USAGE OF THE INFORMATION CONTAINED ON THIS DOCUMENT IS CONTINGENT ON AGREEMENT TO THE CONDITIONS STATED ON PAGE 1.				TITLE Cust Add 1(3)	
						DWG/PRINT NUMBER: 0620-500596.dwg	
						SHEETS: 4 / 4	



MATERIAL:		FINISH:	
UNIT/MODEL LIST		 <b>FOREST RIVER DIESEL</b> Plant #40	<small>THE INFORMATION CONTAINED IN THIS DOCUMENT IS PROPRIETARY, CONFIDENTIAL, AND INTENDED ONLY FOR FOREST RIVER PERSONNEL, AUTHORIZED FOREST RIVER DEALERS, OR OTHER QUALIFIED REPAIR SHOPS. NEITHER THIS DRAWING NOR ANY REPRODUCTION THEREOF MAY BE USED FOR ANY PURPOSE WITHOUT PERMISSION IN WRITING FROM FOREST RIVER, INC. IF YOU ARE NOT THE INTENDED RECIPIENT, PLEASE RETURN TO FOREST RIVER, INC. ALL RIGHTS ARE RESERVED. THIS DRAWING IS UNCONTROLLED UNLESS INDICATED OTHERWISE.</small>
		FRACTIONAL TOLERANCE: +/- 1/16    ANGULAR TOLERANCE: +/- 1~	
		DESCRIPTION: <b>78 in BOOTH FLUSH FLR</b>	
REV: A	VENDOR #:	DRAWING #: W60941	