



Service Bulletin

Bulletin No.: PIT6300B

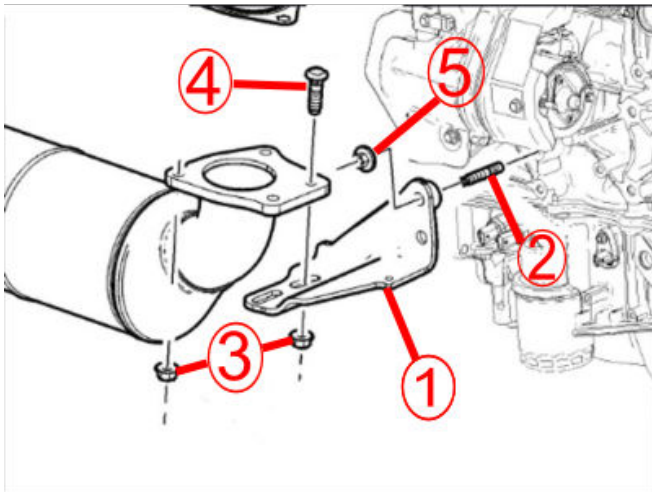
Date: February, 2026

PRELIMINARY INFORMATION

Subject: Buzz - Rattle - Vibration/Noise From The Passenger Side When Vehicle Is Under Light Load

Brand:	Model:	Model Year:		VIN:		Engine:	Transmission:
		from	to	from	to		
Chevrolet	Silverado	2023-2024		All	All	3.0L LZ0	All
GMC	Sierra	2023-2024		All	All	3.0L LZ0	All

Involved Region or Country	North America
Condition	Buzz/rattle/vibration/Noise from the passenger side when the vehicle is under light load.
Cause	Inspect for a cracked catalytic converter brace/bracket(1), and or missing/ broken hold down studs(2,4), shown below.



6908613

Correction

Inspect the catalytic converter brace/bracket for cracks, and or missing hold down stud and nuts.

Repair as needed.

Warranty Information

For vehicles repaired under warranty, please use the appropriate warranty labor operation based on the actual cause and repair.

Version	2
Modified	12/10/2024 - Created. 05/07/2025 - Edited picture and correction.

