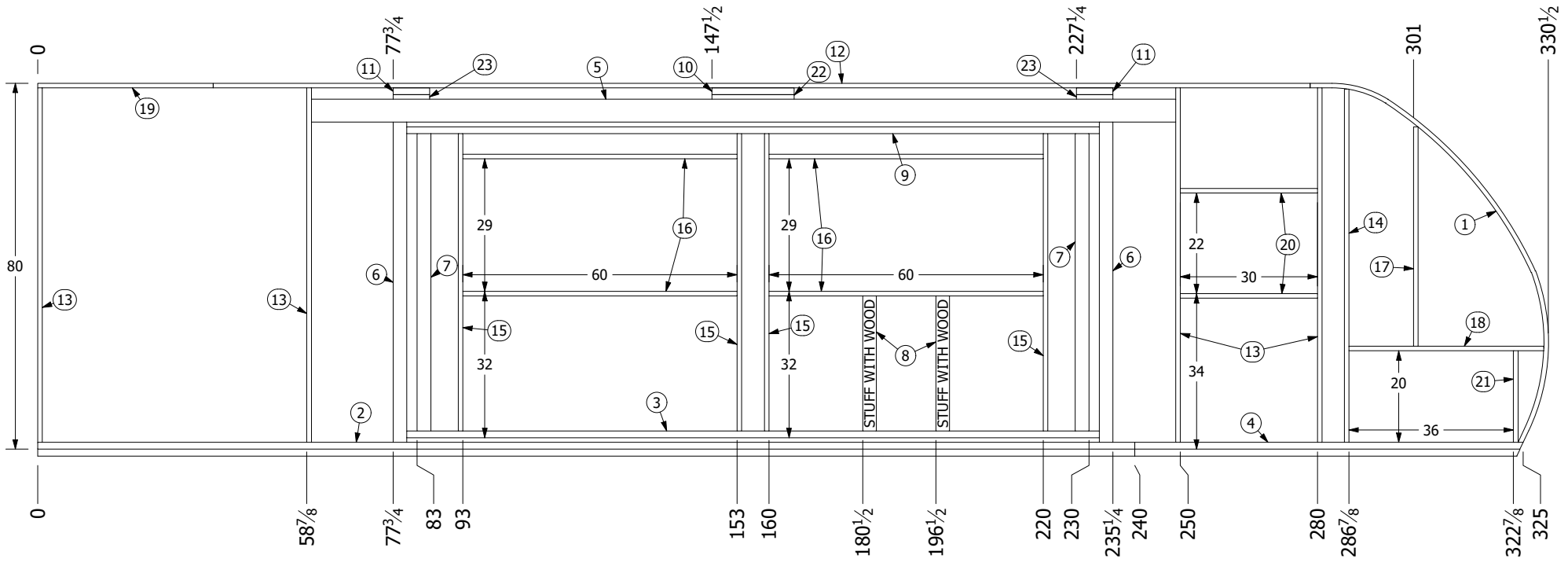


PARTS LIST			PARTS LIST			PARTS LIST		
ITEM	QTY	DESCRIPTION	ITEM	QTY	DESCRIPTION	ITEM	QTY	DESCRIPTION
1	1	Side Wall Profile Tube	9	1	1" x 1 1/2" x 151 1/2" Aluminum Tube	17	1	1" x 1" x 48" Aluminum Tube
2	1	1 1/2" x 1" x 240" - P-RAIL	10	1	1" x 1 1/2" x 18" Aluminum Tube	18	1	1" x 1" x 42 5/8" Aluminum Tube
3	1	1 1/2" x 1" x 151 1/2" - P-RAIL	11	2	1" x 1 1/2" x 8" Aluminum Tube	19	1	1" x 1" x 38 3/8" Aluminum Tube
4	1	1 1/2" x 1" x 85" - P-RAIL	12	1	1" x 1" x 240" Aluminum Tube	20	2	1" x 1" x 30" Aluminum Tube
5	1	5" x 1" x 189 1/8" - DBL HOLLOW	13	4	1" x 1" x 77 1/2" Aluminum Tube	21	1	1" x 1" x 20" Aluminum Tube
6	2	1" x 3" x 70" Aluminum Tube	14	1	1" x 1" x 77 1/4" Aluminum Tube	22	1	1" x 1" x 18" Aluminum Tube
7	2	1" x 3" x 65" Aluminum Tube	15	4	1" x 1" x 65" Aluminum Tube	23	2	1" x 1" x 8" Aluminum Tube
8	2	1" x 3" x 29 1/2" Aluminum Tube	16	4	1" x 1" x 60" Aluminum Tube			



VIEWED FROM INTERIOR

**MODEL:
VBT26RB**



**VIBE /
EXTREME LITE
PLANT #59**

THE INFORMATION CONTAINED IN THIS DOCUMENT IS PROPRIETARY, CONFIDENTIAL AND INTENDED ONLY FOR FOREST RIVER PERSONNEL. AUTHORIZED FOREST RIVER DEALERS, OR OTHER QUALIFIED REPAIR SHOPS, NEITHER THIS DRAWING NOR ANY REPRODUCTION THEREOF MAY BE USED FOR ANY PURPOSE WITHOUT PERMISSION IN WRITING FROM FOREST RIVER, INC. IF YOU ARE NOT THE INTENDED RECIPIENT, PLEASE RETURN TO FOREST RIVER, INC. OR DESTROY. PLEASE NOTE THAT ANY USE OR CIRCULATION OF THIS DOCUMENT IS NOT PERMITTED AND MAY BE CAUSE FOR LEGAL ACTION.

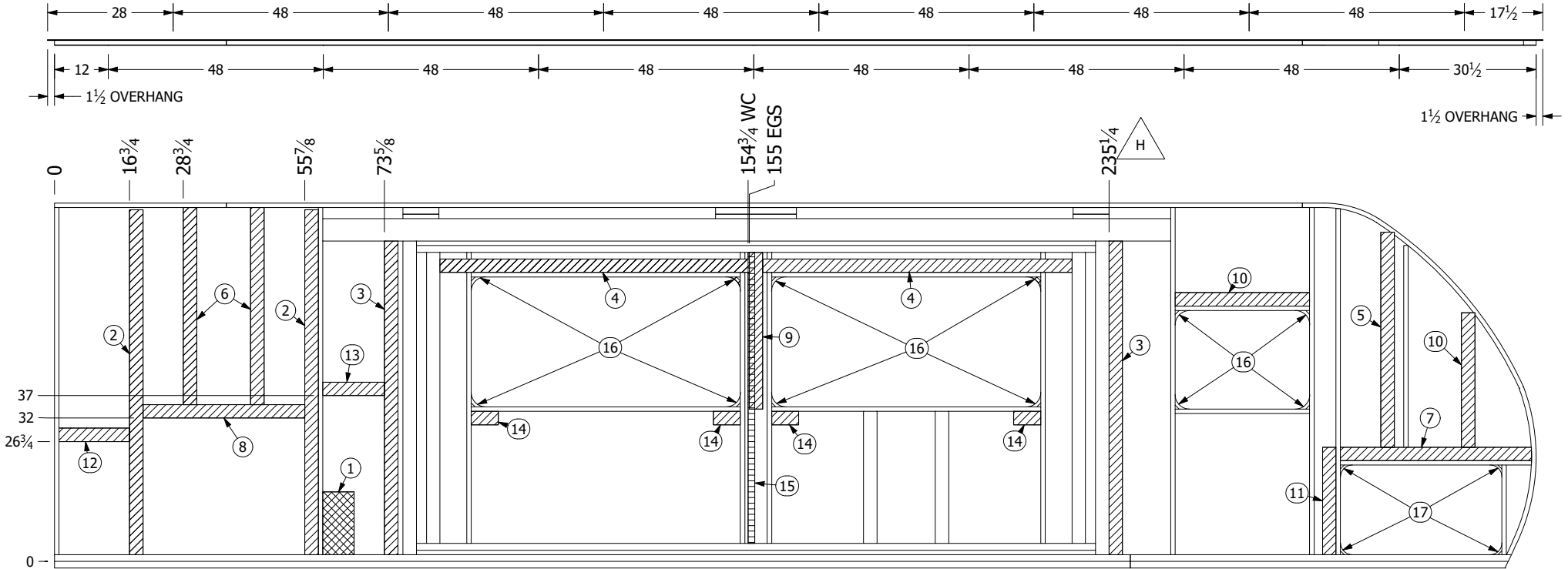
REVISION HISTORY				
REV	ECO #	DESCRIPTION	DATE	BY
F	ECO-23-1129	MODEL YEAR 2024 CHANGE CHANGED CARGO DOOR TO 36x20	4/18/2023	JL
G	ECO-23-1129	REMOVED OUTSIDE SHOWER FRAMING; ADDED DINETTE BACKERS @ 180 1/2" & 196 1/2"	5/5/2023	NFV
H	ECO-24-1778	MOVE EGGS BACKER BACK AGAINST 3" TUBE	4/9/2024	EI

BY: SK	APPROVED BY:	FRACTIONAL TOLERANCE: +/- 1/16
DATE: 3/1/2022	SHEET #: 1 OF 2	ANGULAR TOLERANCE: +/- 1'
DESCRIPTION: RS WALL		
REV: H	VENDOR PART#:	DRAWING #: 07- 000651

BACKER LEGEND

- EGS BACKERS
- OSB BACKERS
- WIRE CHANNELS

PARTS LIST				PARTS LIST				PARTS LIST			
ITEM	QTY	DESCRIPTION		ITEM	QTY	DESCRIPTION		ITEM	QTY	DESCRIPTION	
1	1	7" x 14" x 7/8 - OSB		7	1	3" x 42 5/8" x 0.019-EGS Backer		13	1	3" x 13 3/4" x .019-EGS Backer	
2	2	3" x 77" x .019-EGS Backer		8	1	3" x 36 1/8" x .019-EGS Backer		14	4	3" x 6" x .019-EGS Backer	
3	2	3" x 70" x .019-EGS Backer		9	1	3" x 35" x .019-EGS Backer		15	1	1" x 1 1/2" x 65" - Plastic Wire Channel	
4	2	3" x 69" x .019-EGS Backer		10	2	3" x 30" x .019-EGS Backer		16	12	1 x 3.2" Radius Block	
5	1	3" x 48" x .019-EGS Backer		11	1	3" x 24" x .019-EGS Backer		17	4	1 x 2.62" Radius Block	
6	2	3" x 44" x .019-EGS Backer		12	1	3" x 15 3/4" x .019-EGS Backer					



VIEWED FROM INTERIOR

**MODEL LIST:
VBT26RB**



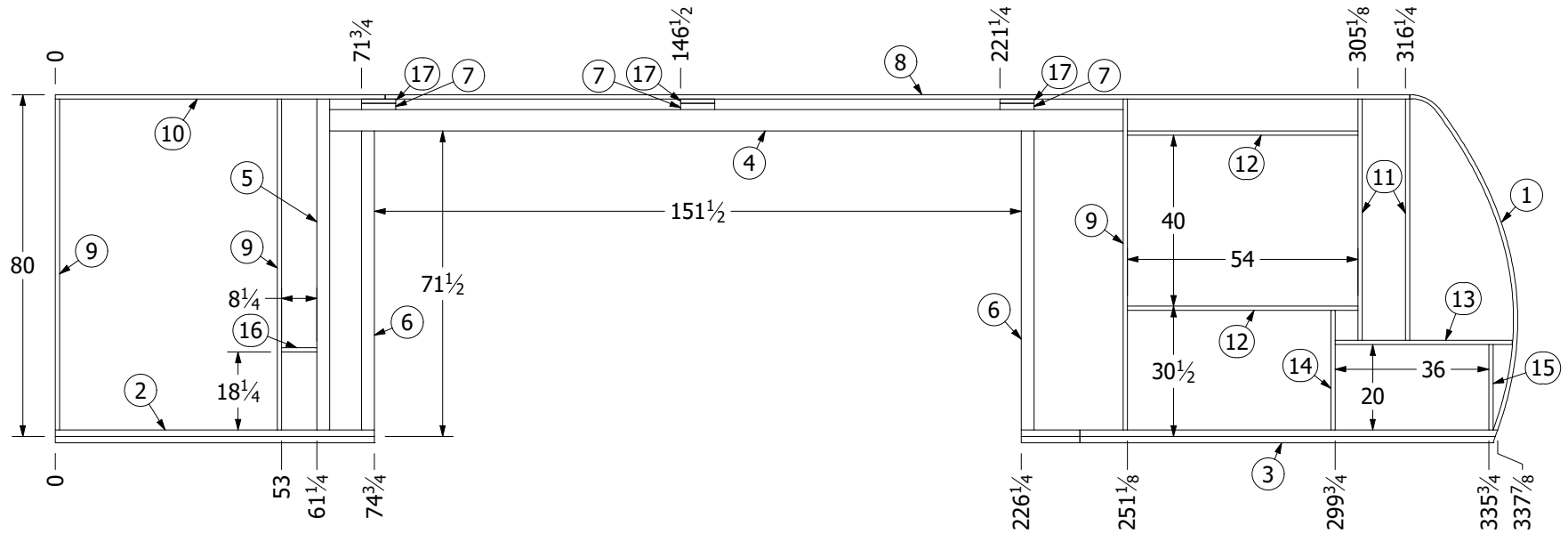
**VIBE /
EXTREME LITE
PLANT #59**

THE INFORMATION CONTAINED IN THIS DOCUMENT IS PROPRIETARY, CONFIDENTIAL AND INTENDED ONLY FOR FOREST RIVER PERSONNEL. AUTHORIZED FOREST RIVER DEALERS, OR OTHER QUALIFIED REPAIR SHOPS, NEITHER THIS DRAWING NOR ANY REPRODUCTION THEREOF MAY BE USED FOR ANY PURPOSE WITHOUT PERMISSION IN WRITING FROM FOREST RIVER, INC. IF YOU ARE NOT THE INTENDED RECIPIENT, PLEASE RETURN TO FOREST RIVER, INC. OR DESTROY. PLEASE NOTE THAT ANY USE OR CIRCULATION OF THIS DOCUMENT IS NOT PERMITTED AND MAY BE CAUSE FOR LEGAL ACTION.

REVISION HISTORY						
REV	ECO #	DESCRIPTION	DATE	BY		
F	ECO-23-1129	MODEL YEAR 2024 CHANGE CHANGED CARGO DOOR TO 36x20	4/18/2023	JL		
G	ECO-23-1129	REMOVED OUTSIDE SHOWER FRAMING; ADDED DINETTE BACKERS @ 180 1/2" & 196 1/2"	5/5/2023	NFV		
H	ECO-24-1778	MOVE EGS BACKER BACK AGAINST 3" TUBE	4/9/2024	EI		

BY: SK	APPROVED BY:	FRACTIONAL TOLERANCE: +/- 1/16
DATE: 3/1/2022	SHEET #: 2 OF 2	ANGULAR TOLERANCE: +/- 1'
DESCRIPTION: RS WALL		
REV: H	VENDOR PART#:	DRAWING #: 07- 000651

PARTS LIST			PARTS LIST		
ITEM	QTY	DESCRIPTION	ITEM	QTY	DESCRIPTION
1	1	2025 VIBE SIDEWALL PROFILE	10	1	1" x 1" x 77 1/4" Aluminum Tube
2	1	1 1/2" x 1" x 240" - P-RAIL	11	2	1" x 1" x 56 1/2" Aluminum Tube
3	1	1 1/2" x 1" x 97 7/8" - P-RAIL	12	2	1" x 1" x 54" Aluminum Tube
4	1	5" x 1" x 185 7/8" - DBL HOLLOW	13	1	1" x 1" x 41 1/2" Aluminum Tube
5	1	1" x 3" x 77 1/2" Aluminum Tube	14	1	1" x 1" x 28" Aluminum Tube
6	2	1" x 3" x 70" Aluminum Tube	15	1	1" x 1" x 20" Aluminum Tube
7	3	1" x 1 1/2" x 8" Aluminum Tube	16	1	1" x 1" x 8 1/4" Aluminum Tube
8	1	1" x 1" x 240" Aluminum Tube	17	3	1" x 1" x 8" Aluminum Tube
9	3	1" x 1" x 77 1/2" Aluminum Tube			



VIEWED FROM INTERIOR

MODEL LIST:
VBT2600RB



**VIBE /
EXTREME LITE**
PLANT #59


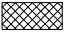
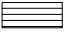
THE INFORMATION CONTAINED IN THIS DOCUMENT IS PROPRIETARY, CONFIDENTIAL, AND INTENDED ONLY FOR FOREST RIVER PERSONNEL. AUTHORIZED FOREST RIVER DEALERS, OR OTHER QUALIFIED REPAIR SHOPS, NEITHER THIS DRAWING NOR ANY REPRODUCTION THEREOF MAY BE USED FOR ANY PURPOSE WITHOUT PERMISSION IN WRITING FROM FOREST RIVER, INC. IF YOU ARE NOT THE INTENDED RECIPIENT, PLEASE RETURN TO FOREST RIVER, INC. OR DESTROY. PLEASE NOTE THAT ANY USE OR CIRCULATION OF THIS DOCUMENT IS NOT PERMITTED AND MAY BE CAUSE FOR LEGAL ACTION.

BY: MB APPROVED BY: FRACTIONAL TOLERANCE: +/- 1/16
DATE: 10/29/2024 SHEET #: 1 OF 2 ANGULAR TOLERANCE: +/- 1'
DESCRIPTION:

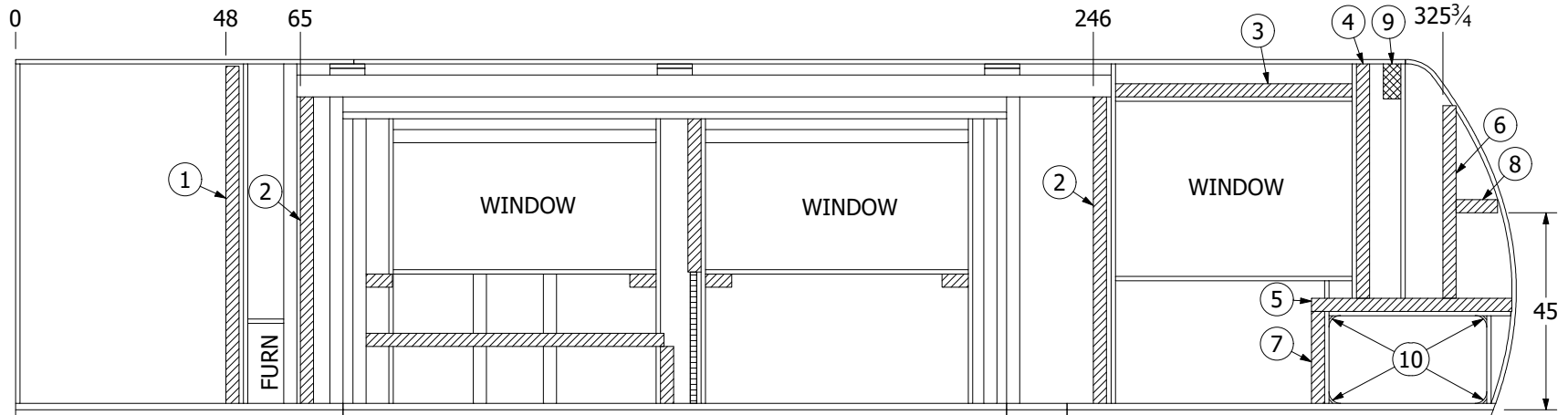
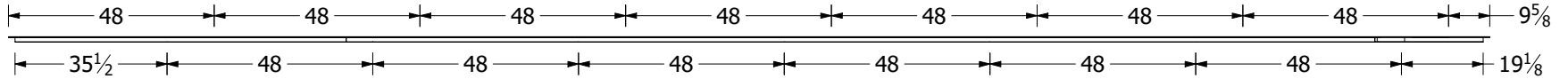
RS SIDEWALL

REV: A VENDOR PART#: DRAWING #: 07-001187

REVISION HISTORY				
REV	ECO #	DESCRIPTION	DATE	BY
A	25-0678	INITIAL RELEASE	10/29/2024	MB

-  -EGS BACKER
-  -OSB BACKER
-  -WIRE CHANNEL

PARTS LIST				PARTS LIST			
ITEM	QTY	DESCRIPTION	ITEM	QTY	DESCRIPTION		
1	1	3" x 77" x .019-EGS Backer	6	1	3" x 44" x .019-EGS Backer		
2	2	3" x 70" x .019-EGS Backer	7	1	3" x 21" x .019-EGS Backer		
3	1	3" x 54" x 0.019-EGS Backer	8	1	3" x 9 1/2" x .019-EGS Backer		
4	1	3" x 53 1/2" x .019-EGS Backer	9	1	4" x 8" x 5/8" - TG OSB		
5	1	3" x 45 3/4" x .019-EGS Backer	10	4	1 x 2.62" Radius Block		



MODEL LIST:
VBT2600RB



**VIBE /
EXTREME LITE**
PLANT #59

THE INFORMATION CONTAINED IN THIS DOCUMENT IS PROPRIETARY, CONFIDENTIAL AND INTENDED ONLY FOR FOREST RIVER PERSONNEL. AUTHORIZED FOREST RIVER DEALERS, OR OTHER QUALIFIED REPAIR SHOPS, NEITHER THIS DRAWING NOR ANY REPRODUCTION THEREOF MAY BE USED FOR ANY PURPOSE WITHOUT PERMISSION IN WRITING FROM FOREST RIVER, INC. IF YOU ARE NOT THE INTENDED RECIPIENT, PLEASE RETURN TO FOREST RIVER, INC. OR DESTROY. PLEASE NOTE THAT ANY USE OR CIRCULATION OF THIS DOCUMENT IS NOT PERMITTED AND MAY BE CAUSE FOR LEGAL ACTION.

BY: **MB** APPROVED BY: _____ FRACTIONAL TOLERANCE: +/- 1/16
 DATE: 10/29/2024 SHEET #: 2 OF 2 ANGULAR TOLERANCE: +/- 1'
 DESCRIPTION: _____ SHEET SIZE: A

REVISION HISTORY				
REV	ECO #	DESCRIPTION	DATE	BY
A	25-0678	INITIAL RELEASE	10/29/2024	MB

RS SIDEWALL
 REV: **A** VENDOR PART#: _____ DRAWING #: **07- 001187**