

Electric Exhaust Heater Control Unit Update

Release: 1

Technician Skill Level: A

Revision Note: 12/2025 Initial Release

Market: North America

Service Category: Service Department

Applicability: Please refer to VDA+

Section: Function Group 250

Description:

Vehicles were assembled with Electric Exhaust Heater Control Unit (EEHCU) may exhibit improper functionality.

Concern:

The EEHCU may cause MIL lamp activation and vehicle downtime.

Action:

Use the instructions in this document to replace the EEHCU and install a software accessory kit.

Warranty Information

This repair is covered by an authorized Service Program. Reimbursement is obtained through the normal claim handling process.			
Claim Type (used only when uploading from the Dealer Bus. Sys.)			B
Labor Code		Description	Hours
Main Code	2500-03-02-02	Control Unit, Electric Heater Exhaust, Replacement	1.5
2840-22-03-01		Program Engine Electronic Control Unit (EECU)	0.5
Causal Part		24825650	
SCC Authorization Code		S4719	
Expiration Date		December 31, 2026	

Parts Information

Order using the normal process

Part Numbers	Part Names	Quantity
24825650	Electric Exhaust Heater Control Unit	1

Electric Exhaust Heater Control Unit Update

Removed Parts Information

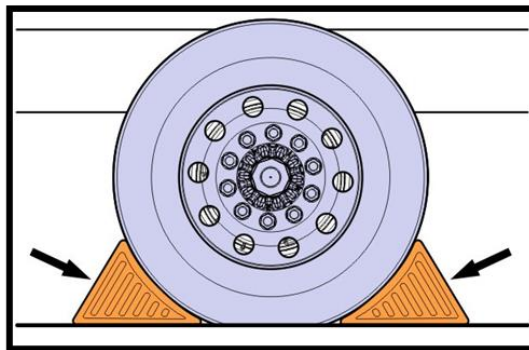
- Is it mandatory that removed EEHCUs be returned to TMAC.

Required Tools & Equipment

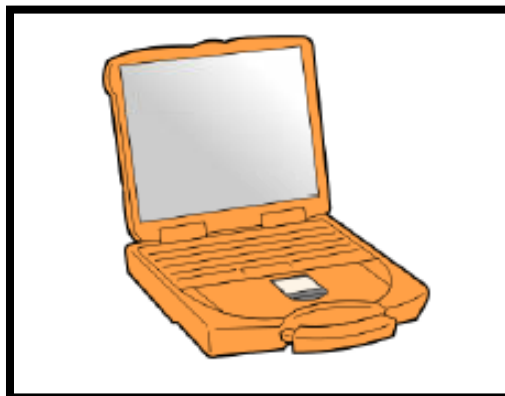
- Workshop Toolbox (Latest Version)
- OR**
- Premium Tech Tool (PTT) (Latest Version)

Repair Procedure

1. Secure the vehicle for service.
2. Install wheel chocks.



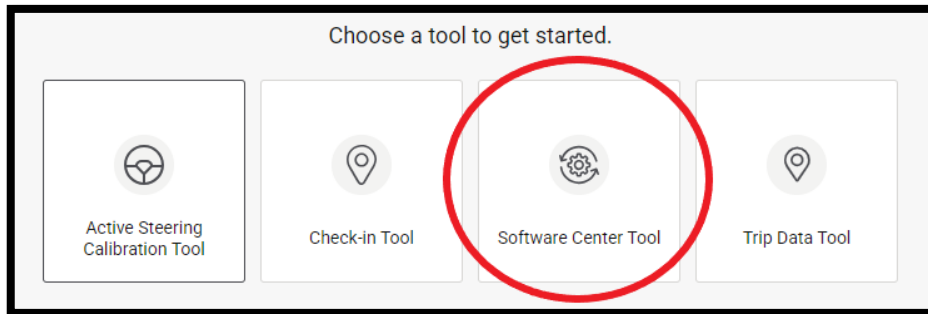
3. Follow Impact Operation **2500-03-02-02 Control Module, Electric Heated Exhaust, Replacement** to replace the EEHCU. Once complete, continue to next step.
4. Connect the truck to PTT or Workshop Toolbox.



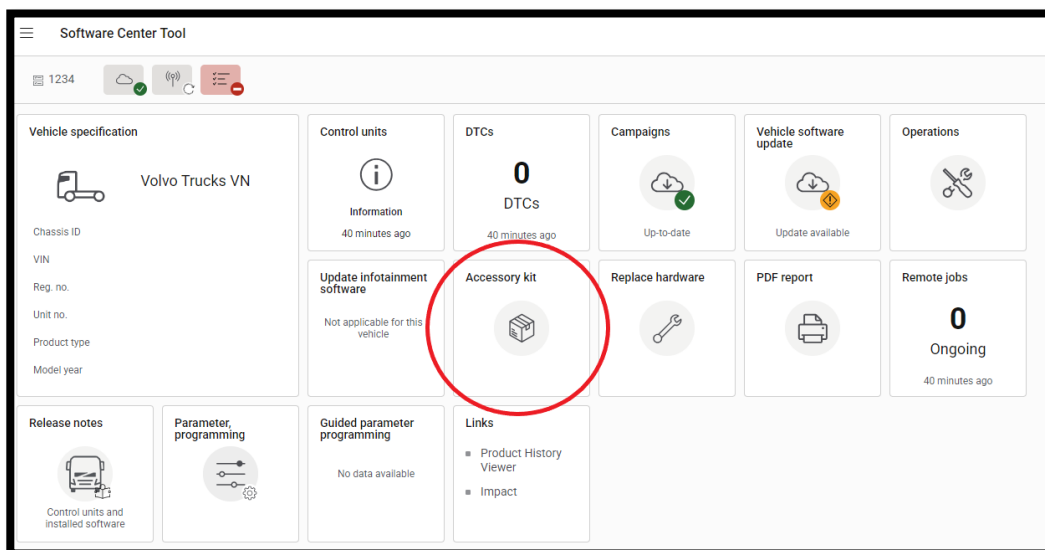
Electric Exhaust Heater Control Unit Update

Workshop Toolbox Instructions

- Once the vehicle is connected to Workshop Toolbox, select the Software Center Tool.



- Select Accessory Kit

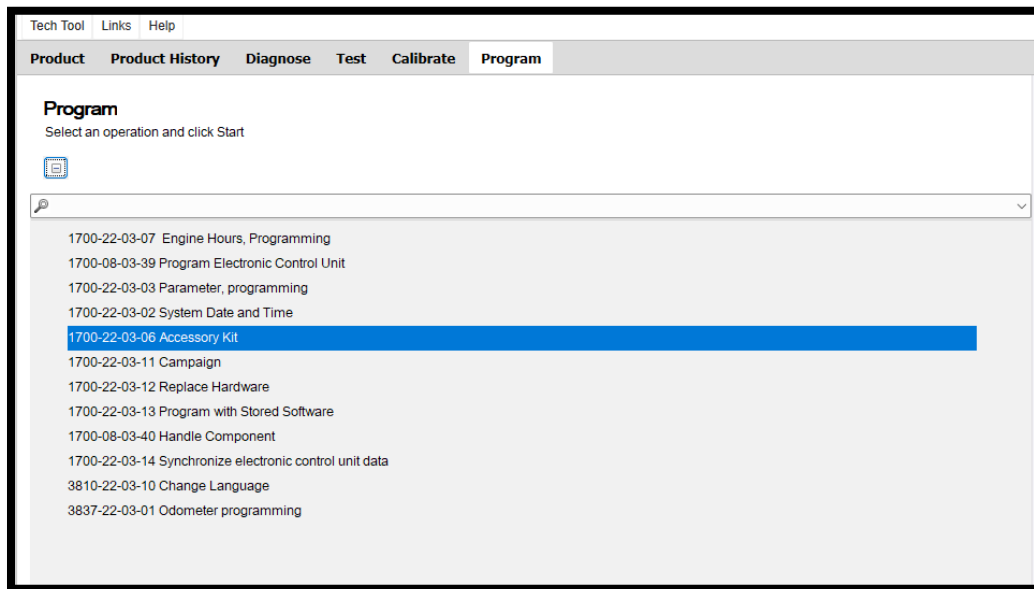


- Enter accessory kit number **85171876**.
- Install accessory kit.
- Once programming is complete, clear DTCs caused by programming.

Electric Exhaust Heater Control Unit Update

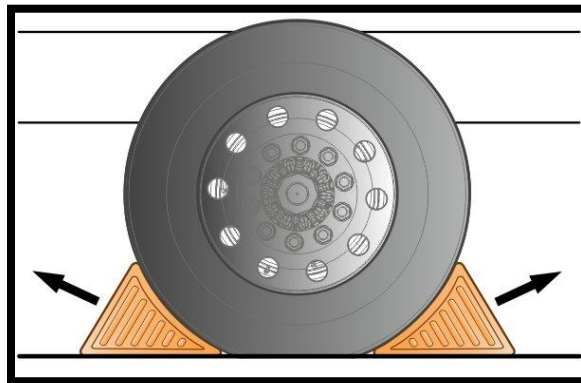
PTT Instructions

- Once the vehicle is connected to PTT, select the Programming tab.
- Then select operation **1700-22-03-06 Accessory Kit**.



- Enter accessory kit number **85171876**.
- Install accessory kit.
- Once programming is complete, clear DTCs caused by programming.

5. Remove wheel chocks.



6. Release the vehicle.