

# Technical Service Bulletin

Mazda North American Operations  
Irvine, CA 92618-2922



<b>Subject:</b>  <b>CHECK ENGINE LIGHT ON WITH DTC P0126:00</b>	<b>Bulletin No.: 01-003/25</b>
	<b>Last Issued : 12/03/2025</b>

## BULLETIN NOTES

This bulletin supersedes the previously issued bulletin(s) listed below. The changes are noted in Red text.

Previous TSBs:	Date(s) Issued:
01-003/25	03/13/25
01-005/24	06/10/24, 06/27/24, 08/29/24 and 11/04/24
01-005/23	02/16/23 and 12/20/23
01-013/22	10/19/22
01-011/21	09/27/21 and 04/22/21

## APPLICABLE MODEL(S)/VINS

- 2019-2022 CX-3 2.0/2.5L with VINs lower than JM1DK\*\*\*\*\*605934 (produced before July 8, 2022)
- 2020-2023 CX-30 2.0/2.5L (Mexico built) with VINs lower than 3MVDM\*\*\*\*\*589428 (produced before Sep. 1, 2023)
- 2018-2025 CX-5 2.0/2.5L with VINs lower than JM3KF\*\*\*\*\*617579 (produced before Dec. 18, 2024)
- 2019-2023 Mazda3 2.0/2.5L (Japan built) with VINs lower than JM1BP\*\*\*\*\*623951 (produced before May 23, 2023)
- 2019-2023 Mazda3 2.0/2.5L (Mexico built) with VINs lower than 3MZBP\*\*\*\*\*384076 (produced before Sep. 5, 2023)
- 2018-2021 Mazda6 2.0/2.5L with VINs lower than JM1GL\*\*\*\*\*620105 (produced before Nov. 12, 2021)

**NOTE:** Vehicles with SKYACTIV-G 2.5T (turbo) engine are not applicable to this service information.

## DESCRIPTION

Some customers may experience a check engine light ON with DTC P0126:00 (Thermostat stuck open) and one or more of the following symptoms:

- Engine takes longer to warm up.
- Engine temperature gauge fluctuates.
- Low coolant temperature indicator (blue) light stays on longer or turns on while driving.
- Poor heater performance, especially at idle.

This concern may be caused if the coolant control valve fail-safe thermostat opens at a temperature lower than the normal temperature due to a deformation of the thermostat diaphragm. To eliminate the concern, the water flow control valve specification has been modified.

**CONSUMER NOTICE:** The information and instructions in this bulletin are intended for use by skilled technicians. Mazda technicians utilize the proper tools/ equipment and take training to correctly and safely maintain Mazda vehicles. These instructions should not be performed by "do-it-yourselfers." Customers should not assume this bulletin applies to their vehicle or that their vehicle will develop the described concern. To determine if the information applies, customers should contact their nearest authorized Mazda dealership. Mazda North American Operations reserves the right to alter the specifications and contents of this bulletin without obligation or advance notice. All rights reserved. No part of this bulletin may be reproduced in any form or by any means, electronic or mechanical--including photocopying and recording and the use of any kind of information storage and retrieval system ---without permission in writing.

Affected vehicles will require PCM reprogramming with the Mazda Modular Diagnostic System (M-MDS), using either a) Mazda Diagnostic and Repair Software (MDARS) or b) Mazda Integrated Diagnostic System (IDS) 140.04 or later software.

**NOTE:** Refer to the table below for MDARS or IDS reprogramming requirement by model / model year.

Model:	MDARS:	IDS
CX-3	2019 - Present	---
CX-30	2020 - Present	---
CX-5	2021 - Present	2013-2020
Mazda3	2019 - Present	2004-2018
Mazda6	---	2003-2021

**NOTE:**

- Vehicles with SKYACTIV-G 2.5T are not applicable to this service information.
- If DTC P2B61:00 (Coolant control valve circuit range/performance) accompanies DTC P0126:00, this TSB is not applicable. Diagnose DTCs according to the instructions on MGSS online.

Customers having this concern should have their vehicle repaired using the following repair procedure.

**CONSUMER NOTICE:** The information and instructions in this bulletin are intended for use by skilled technicians. Mazda technicians utilize the proper tools/ equipment and take training to correctly and safely maintain Mazda vehicles. These instructions should not be performed by "do-it-yourselfers." Customers should not assume this bulletin applies to their vehicle or that their vehicle will develop the described concern. To determine if the information applies, customers should contact their nearest authorized Mazda dealership. Mazda North American Operations reserves the right to alter the specifications and contents of this bulletin without obligation or advance notice. All rights reserved. No part of this bulletin may be reproduced in any form or by any means, electronic or mechanical--including photocopying and recording and the use of any kind of information storage and retrieval system ---without permission in writing.

## REPAIR PROCEDURE

### PCM Reprogramming with MDARS:

1. Verify the customer concern.
2. Reprogram the PCM with the Mazda Modular Diagnostic System (M-MDS), using Mazda Diagnostic and Repair Software (MDARS). Refer to MDARS ECU Reprogramming Procedure.

**NOTE: Be sure to submit Diagnostic Information (ODR) data as it is a required item and will be checked during warranty claim submission. Instructions can be found under M-MDS -> MDARS (Uploading Diagnostic Information (ODR) Data).**

3. Clear any other DTCs.
4. Verify the repair by starting the engine (READY ON) and confirming there is no CHECK ENGINE light ON or abnormal warning lights present.

### PCM Reprogramming with IDS:

1. Reprogram the PCM with Mazda Modular Diagnostic System (M-MDS) using Mazda Integrated Diagnostic System (IDS) 140.04 or later software. Refer to IDS Reprogramming Procedure.

**CAUTION:** IDS calibration files are now locally installed on user's PC. IDS 140.00 and 140.04 must be installed to properly complete this calibration.

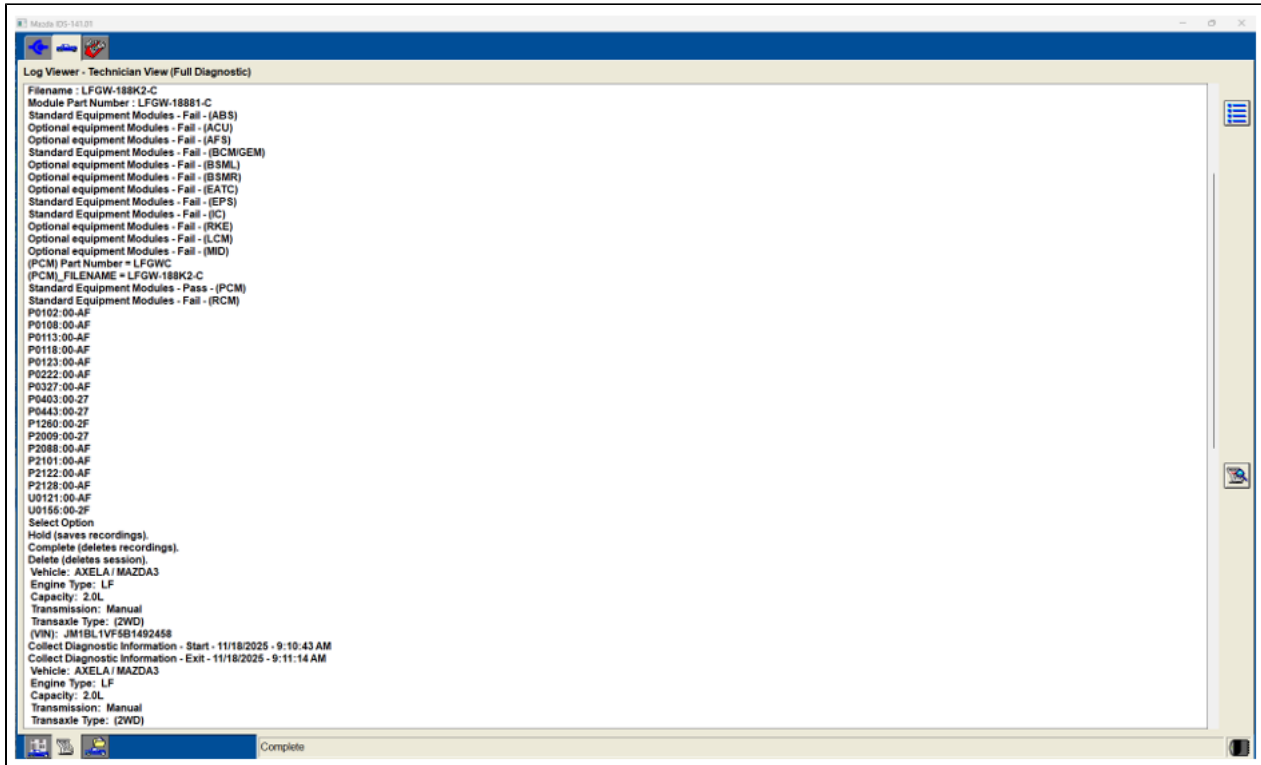
[Click Here to download IDS 140.00](#)

[Click here to download IDS patch update 140.04 \(All IDS Applicable models contain calibration files in patch 140.04.\)](#)

#### NOTE:

- Upon launching IDS 140.00, you must select your scan tool (VCM-II or DST-010B) before scanning a vehicle. [Click here for a brief training video](#)
- After CCV replacement and PCM reprogramming, download and print the log viewer session that shows the updated PCM software file and VIN and attach the data when submitting a warranty claim.
- With IDS there is no automatic collection function.

**CONSUMER NOTICE:** The information and instructions in this bulletin are intended for use by skilled technicians. Mazda technicians utilize the proper tools/ equipment and take training to correctly and safely maintain Mazda vehicles. These instructions should not be performed by "do-it-yourselfers." Customers should not assume this bulletin applies to their vehicle or that their vehicle will develop the described concern. To determine if the information applies, customers should contact their nearest authorized Mazda dealership. Mazda North American Operations reserves the right to alter the specifications and contents of this bulletin without obligation or advance notice. All rights reserved. No part of this bulletin may be reproduced in any form or by any means, electronic or mechanical--including photocopying and recording and the use of any kind of information storage and retrieval system ---without permission in writing.



2. Clear any other DTCs.

3. Verify the repair by starting the engine and confirming there is no CHECK ENGINE light ON or abnormal warning lights present.

**NOTE:** If any DTCs should remain after deleting DTC, diagnose the DTCs according to the appropriate Troubleshooting section of the Workshop Manual.

#### **Explanation to Customer Regarding Avg. Fuel Economy:**

Any ECU reprogramming resets the BCM's average fuel economy (remaining mileage). Therefore, the remaining mileage may change when the customer drives the vehicle after reprogramming. After learning the customer's average fuel consumption (calculated over several drives), the remaining mileage will be correctly displayed.

#### **Parts Replacement:**

**NOTE:** If DTC P2B61:00 (Coolant control valve circuit range/performance) registered, this Service Information is not applicable. Diagnose according to the instruction on MGSS online.

1. Verify customer concerns and check the coolant temperature in the freeze frame data.

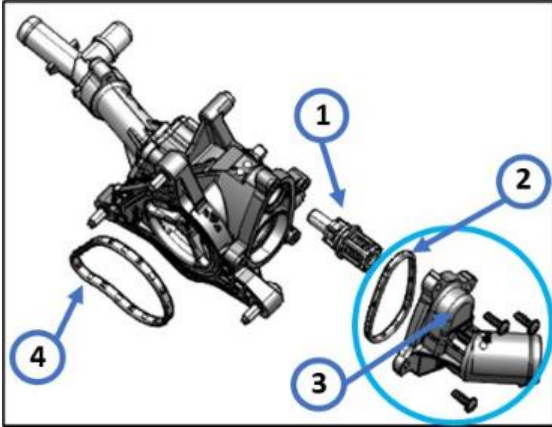
- If it is at around 40-80 °C {104-176 °F} proceed to step 2.
- If it is not at around 40-80 °C {104-176 °F}, this Service Information is not applicable. Diagnose according to the instruction on MGSS online.

**CONSUMER NOTICE:** The information and instructions in this bulletin are intended for use by skilled technicians. Mazda technicians utilize the proper tools/ equipment and take training to correctly and safely maintain Mazda vehicles. These instructions should not be performed by "do-it-yourselfers." Customers should not assume this bulletin applies to their vehicle or that their vehicle will develop the described concern. To determine if the information applies, customers should contact their nearest authorized Mazda dealership. Mazda North American Operations reserves the right to alter the specifications and contents of this bulletin without obligation or advance notice. All rights reserved. No part of this bulletin may be reproduced in any form or by any means, electronic or mechanical--including photocopying and recording and the use of any kind of information storage and retrieval system ---without permission in writing.

2. Remove the coolant control valve according to the instruction on MGSS:

- Mazda3 (COOLANT CONTROL VALVE REMOVAL/INSTALLATION)
- Mazda6 (COOLANT CONTROL VALVE REMOVAL/INSTALLATION)
- CX-3 (COOLANT CONTROL VALVE REMOVAL/INSTALLATION)
- CX-5 (COOLANT CONTROL VALVE REMOVAL/INSTALLATION)
- CX-30 (COOLANT CONTROL VALVE REMOVAL/INSTALLATION)

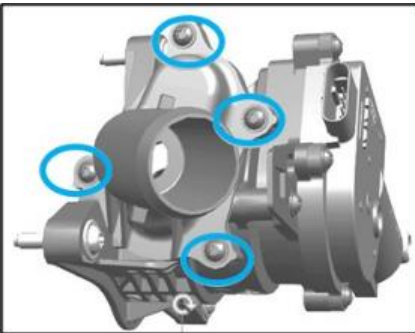
3. Remove thermostat cover and thermostat cover gasket from coolant control valve.



1. Thermostat
2. Thermostat cover gasket
3. Thermostat cover
4. Water outlet gasket

a. Mark the four (4) screws and the respective holes before loosening them to ensure that the screws are placed in their original holes when reinstalling.

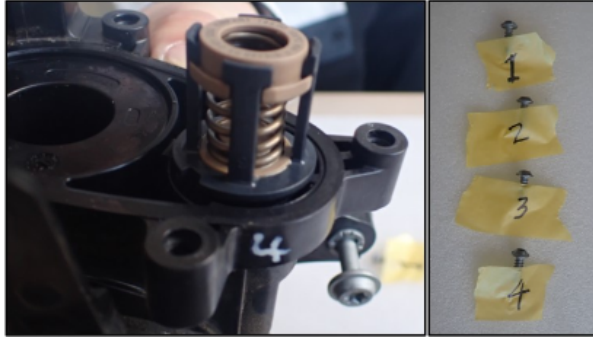
**NOTE:** If the screws are not reinstalled in their original holes, the holes may become deformed.



**CONSUMER NOTICE:** The information and instructions in this bulletin are intended for use by skilled technicians. Mazda technicians utilize the proper tools/ equipment and take training to correctly and safely maintain Mazda vehicles. These instructions should not be performed by "do-it-yourselfers." Customers should not assume this bulletin applies to their vehicle or that their vehicle will develop the described concern. To determine if the information applies, customers should contact their nearest authorized Mazda dealership. Mazda North American Operations reserves the right to alter the specifications and contents of this bulletin without obligation or advance notice. All rights reserved. No part of this bulletin may be reproduced in any form or by any means, electronic or mechanical---including photocopying and recording and the use of any kind of information storage and retrieval system ---without permission in writing.



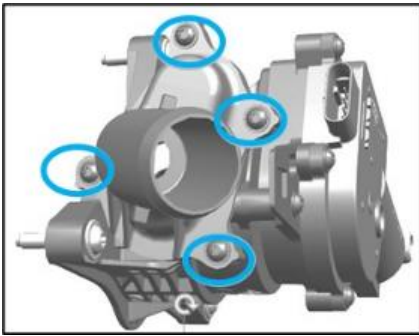
**Marking Example 1:** Draw **marking** lines over the screws and the thermostat cover as shown above.



**Marking Example 2:** Number each screw and their respective hole as shown above.

b. Loosen the four (4) tapping screws fastening the thermostat cover.

**CAUTION:** Use hand tools only, do not use power tools.

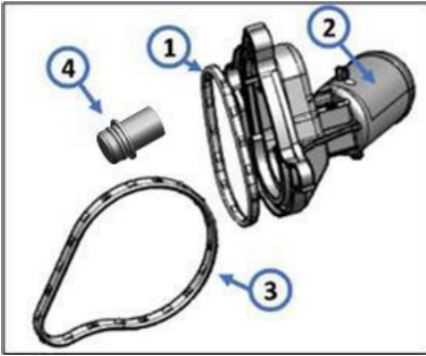


4. Replace the thermostat **with the plug**, which is included in the **Dummy Plug for CCV** set.

**NOTE:** Do not use lubricants, spray lube, silicone sealer or petroleum grease on any of the gaskets.



**CONSUMER NOTICE:** The information and instructions in this bulletin are intended for use by skilled technicians. Mazda technicians utilize the proper tools/ equipment and take training to correctly and safely maintain Mazda vehicles. These instructions should not be performed by "do-it-yourselfers." Customers should not assume this bulletin applies to their vehicle or that their vehicle will develop the described concern. To determine if the information applies, customers should contact their nearest authorized Mazda dealership. Mazda North American Operations reserves the right to alter the specifications and contents of this bulletin without obligation or advance notice. All rights reserved. No part of this bulletin may be reproduced in any form or by any means, electronic or mechanical--including photocopying and recording and the use of any kind of information storage and retrieval system ---without permission in writing.

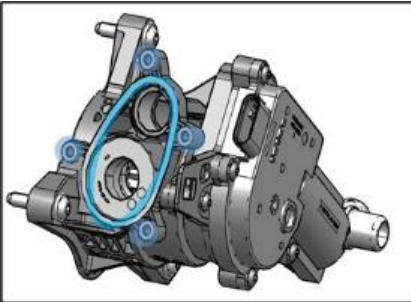


#### Dummy Plug for CCV set includes:

1. Thermostat cover gasket\*
2. Thermostat cover
3. Water outlet gasket
4. Plug

\*Thermostat cover gasket is already assembled to the thermostat cover.

- a. Before installing the **plug**, check the mounting area for dirt and clean the area.

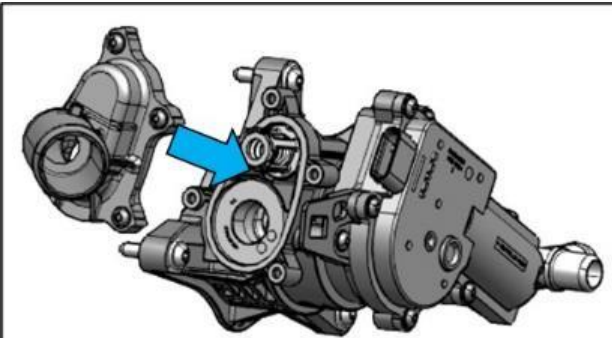


- b. When installing the **plug**, push it firmly until it makes a clicking noise to ensure it has been installed properly.

#### NOTE:

- Insert the **plug** so that its notch matches the protruding area in the hole.
- Add 1-2 drops of coolant as necessary to the O-ring to help slide it into the thermostat housing.

5. Install the new thermostat cover and the thermostat cover gasket (included in the **Dummy Plug for CCV set**) to the coolant control valve body.



- a. Ensure that the thermostat cover gasket is inserted correctly in thermostat cover slot.

**CONSUMER NOTICE:** The information and instructions in this bulletin are intended for use by skilled technicians. Mazda technicians utilize the proper tools/ equipment and take training to correctly and safely maintain Mazda vehicles. These instructions should not be performed by "do-it-yourselfers." Customers should not assume this bulletin applies to their vehicle or that their vehicle will develop the described concern. To determine if the information applies, customers should contact their nearest authorized Mazda dealership. Mazda North American Operations reserves the right to alter the specifications and contents of this bulletin without obligation or advance notice. All rights reserved. No part of this bulletin may be reproduced in any form or by any means, electronic or mechanical---including photocopying and recording and the use of any kind of information storage and retrieval system ---without permission in writing.



b. Place each of the marked four (4) screws in their respective holes and tighten them by hand. If resistance is felt, unscrew once, and repeat the procedure.

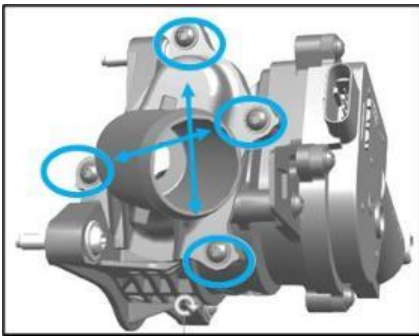
**NOTE:**

- If screws are not inserted in their original holes, holes may become deformed.
- Do not use lubricants, spray lube, silicone sealer or petroleum grease on any of the gaskets.

c. Tighten the screws in a criss-cross pattern.

**Tightening torque:** Tighten screws to 26 in. lbs (3 Nm), then repeat tightening to 44 in. lbs (5 Nm).

**CAUTION: Use hand tools only, do not use power tools.**



6. Reinstall the coolant control valve and the new water outlet gasket (included in the **Dummy Plug for CCV** set) to the vehicle according to the instruction on MGSS.

7. Verify the repair by inspecting for engine coolant leakage.

**NOTE:** If the subject vehicle comes back again with DTC P0126:00, contact the **Technical Hotline**.

**CONSUMER NOTICE:** The information and instructions in this bulletin are intended for use by skilled technicians. Mazda technicians utilize the proper tools/ equipment and take training to correctly and safely maintain Mazda vehicles. These instructions should not be performed by "do-it-yourselfers." Customers should not assume this bulletin applies to their vehicle or that their vehicle will develop the described concern. To determine if the information applies, customers should contact their nearest authorized Mazda dealership. Mazda North American Operations reserves the right to alter the specifications and contents of this bulletin without obligation or advance notice. All rights reserved. No part of this bulletin may be reproduced in any form or by any means, electronic or mechanical---including photocopying and recording and the use of any kind of information storage and retrieval system ---without permission in writing.

**CALIBRATION**

[Click on a model to view its calibration file details:](#)

**MAZDA3**

File Name (OLD)	File Name (NEW)
PAH9-188K2-N	PAH9-188K2-P
PAJ2-188K2-L	PAJ2-188K2-M
PXJ7-188K2-H	PXJ7-188K2-J
PX05-188K2-S	PX05-188K2-T
PX07-188K2-U	PX07-188K2-V
PX58-188K2-R	PX58-188K2-S
PAJ1-188K2-P	PAJ1-188K2-R
PAJ3-188K2-M	PAJ3-188K2-N
PXJ8-188K2-J	PXJ8-188K2-K
PX06-188K2-S	PX06-188K2-T
PX08-188K2-U	PX08-188K2-V
PX59-188K2-R	PX59-188K2-S
PAJ8-188K2-J	PAJ8-188K2-K
PAK1-188K2-G	PAK1-188K2-H
PXK5-188K2-G	PXK5-188K2-H
PX13-188K2-L	PX13-188K2-M
PX15-188K2-L	PX15-188K2-M
PAJ9-188K2-K	PAJ9-188K2-L
PAK2-188K2-H	PAK2-188K2-J
PXK6-188K2-H	PXK6-188K2-J
PX14-188K2-L	PX14-188K2-M
PX16-188K2-L	PX16-188K2-M
PX4V-188K2-E	PX4V-188K2-F
PX4X-188K2-D	PX4X-188K2-E

**CONSUMER NOTICE:** The information and instructions in this bulletin are intended for use by skilled technicians. Mazda technicians utilize the proper tools/ equipment and take training to correctly and safely maintain Mazda vehicles. These instructions should not be performed by "do-it-yourselfers." Customers should not assume this bulletin applies to their vehicle or that their vehicle will develop the described concern. To determine if the information applies, customers should contact their nearest authorized Mazda dealership. Mazda North American Operations reserves the right to alter the specifications and contents of this bulletin without obligation or advance notice. All rights reserved. No part of this bulletin may be reproduced in any form or by any means, electronic or mechanical--including photocopying and recording and the use of any kind of information storage and retrieval system ---without permission in writing.

PX4W-188K2-E	PX4W-188K2-F
PX5A-188K2-D	PX5A-188K2-E
PX6R-188K2-E	PX6R-188K2-F
PX6S-188K2-E	PX6S-188K2-F
PXGX-188K2-B	PXGX-188K2-C
PXHD-188K2-C	PXHD-188K2-D
PXHB-188K2-C	PXHB-188K2-D
PGR1-188K2-C	PGR1-188K2-D
PGP8-188K2-B	PGP8-188K2-C
PXJF-188K2-B	PXJF-188K2-C
PXJD-188K2-B	PXJD-188K2-C
PXJG-188K2-B	PXJG-188K2-C
PXJE-188K2-B	PXJE-188K2-C
PG1N-188K2-A	PG1N-188K2-B
PG1R-188K2-B	PG1R-188K2-C
PG1P-188K2-A	PG1P-188K2-B
PG1S-188K2-B	PG1S-188K2-C
PXHA-188K2-B	PXHA-188K2-C
PXHE-188K2-C	PXHE-188K2-D
PXHC-188K2-C	PXHC-188K2-D
PGR2-188K2-C	PGR2-188K2-D
PGP9-188K2-B	PGP9-188K2-C

**CONSUMER NOTICE:** The information and instructions in this bulletin are intended for use by skilled technicians. Mazda technicians utilize the proper tools/ equipment and take training to correctly and safely maintain Mazda vehicles. These instructions should not be performed by "do-it-yourselfers." Customers should not assume this bulletin applies to their vehicle or that their vehicle will develop the described concern. To determine if the information applies, customers should contact their nearest authorized Mazda dealership. Mazda North American Operations reserves the right to alter the specifications and contents of this bulletin without obligation or advance notice. All rights reserved. No part of this bulletin may be reproduced in any form or by any means, electronic or mechanical--including photocopying and recording and the use of any kind of information storage and retrieval system ---without permission in writing.

**MAZDA6**

File Name (OLD)	File Name (NEW)
PYH3-188K2-M	PYH3-188K2-N
PXD8-188K2-D	PXD8-188K2-E
PXD6-188K2-D	PXD6-188K2-E
PXD7-188K2-D	PXD7-188K2-E
PX4F-188K2-D	PX4F-188K2-E
PX4D-188K2-A	PX4D-188K2-B
PX4E-188K2-B	PX4E-188K2-C

**CX-3**

File Name (OLD)	File Name (NEW)
PA01-188K2-F	PA01-188K2-G
PA02-188K2-F	PA02-188K2-G
PA03-188K2-F	PA03-188K2-G
PAD7-188K2-F	PAD7-188K2-G
PAD8-188K2-F	PAD8-188K2-G
PAD9-188K2-F	PAD9-188K2-G
PAHM-188K2-A	PAHM-188K2-B
PAHN-188K2-A	PAHN-188K2-B
PAHP-188K2-B	PAHP-188K2-C
PAHR-188K2-C	PAHR-188K2-D
PAHS-188K2-C	PAHS-188K2-D
PAHT-188K2-D	PAHT-188K2-E

**CONSUMER NOTICE:** The information and instructions in this bulletin are intended for use by skilled technicians. Mazda technicians utilize the proper tools/ equipment and take training to correctly and safely maintain Mazda vehicles. These instructions should not be performed by "do-it-yourselfers." Customers should not assume this bulletin applies to their vehicle or that their vehicle will develop the described concern. To determine if the information applies, customers should contact their nearest authorized Mazda dealership. Mazda North American Operations reserves the right to alter the specifications and contents of this bulletin without obligation or advance notice. All rights reserved. No part of this bulletin may be reproduced in any form or by any means, electronic or mechanical---including photocopying and recording and the use of any kind of information storage and retrieval system ---without permission in writing.

**CX-5**

File Name (OLD)	File Name (NEW)
PYFA-188K2-L	PYFA-188K2-M
PYFB-188K2-L	PYFB-188K2-M
PYFC-188K2-L	PYFC-188K2-M
PYFD-188K2-L	PYFD-188K2-M
PYH9-188K2-H	PYH9-188K2-J
PYJ2-188K2-H	PYJ2-188K2-J
PEL1-188K2-G	PEL1-188K2-H
PYJ1-188K2-G	PYJ1-188K2-H
PYJ3-188K2-G	PYJ3-188K2-H
PEL2-188K2-F	PEL2-188K2-G
PX42-188K2-E	PX42-188K2-F
PX44-188K2-F	PX44-188K2-G
PX46-188K2-E	PX46-188K2-F
PX48-188K2-E	PX48-188K2-F
PAL9-188K2-E	PAL9-188K2-F
PX43-188K2-E	PX43-188K2-F
PX45-188K2-F	PX45-188K2-G
PX47-188K2-D	PX47-188K2-E
PX49-188K2-D	PX49-188K2-E
PAM1-188K2-D	PAM1-188K2-E
PX2E-188K2-F	PX2E-188K2-G
PX2G-188K2-J	PX2G-188K2-K
PX2A-188K2-C	PX2A-188K2-D
PX2C-188K2-H	PX2C-188K2-J
PW8F-188K2-	PW8F-188K2-A
PAEK-188K2-B	PAEK-188K2-C
PX2F-188K2-F	PX2F-188K2-G
PX2H-188K2-J	PX2H-188K2-K
PX2B-188K2-C	PX2B-188K2-D
PX2D-188K2-H	PX2D-188K2-J

**CONSUMER NOTICE:** The information and instructions in this bulletin are intended for use by skilled technicians. Mazda technicians utilize the proper tools/ equipment and take training to correctly and safely maintain Mazda vehicles. These instructions should not be performed by "do-it-yourselfers." Customers should not assume this bulletin applies to their vehicle or that their vehicle will develop the described concern. To determine if the information applies, customers should contact their nearest authorized Mazda dealership. Mazda North American Operations reserves the right to alter the specifications and contents of this bulletin without obligation or advance notice. All rights reserved. No part of this bulletin may be reproduced in any form or by any means, electronic or mechanical---including photocopying and recording and the use of any kind of information storage and retrieval system ---without permission in writing.

PW8G-188K2-	PW8G-188K2-A
PAEL-188K2-B	PAEL-188K2-C

**CX-30**

File Name (OLD)	File Name (NEW)
PA6V-188K2-G	PF9A-188K2-
PA6X-188K2-H	PF9C-188K2-
PXH8-188K2-J	PWDF-188K2-
PA6T-188K2-G	PF8X-188K2-
PA6W-188K2-H	PF9B-188K2-
PXH7-188K2-J	PWDE-188K2-
PXL5-188K2-H	PWDD-188K2-
PXL4-188K2-H	PWDB-188K2-
PXK1-188K2-J	PWDH-188K2-
PA7H-188K2-H	PF9E-188K2-
PXM2-188K2-H	PWDC-188K2-
PXM1-188K2-H	PWDA-188K2-
PXJ9-188K2-J	PWDG-188K2-
PA7G-188K2-H	PF9D-188K2-
PG3A-188K2-C	PF9H-188K2-
PG2W-188K2-C	PF9F-188K2-
PXKH-188K2-C	PWDL-188K2-
PXKF-188K2-C	PWDJ-188K2-
PG3B-188K2-C	PF9J-188K2-
PG2X-188K2-C	PF9G-188K2-
PXKJ-188K2-C	PWDM-188K2-
PXKG-188K2-C	PWDK-188K2-

**NOTE:** This Service Information is only applicable for vehicles using the above calibration files.

**CONSUMER NOTICE:** The information and instructions in this bulletin are intended for use by skilled technicians. Mazda technicians utilize the proper tools/ equipment and take training to correctly and safely maintain Mazda vehicles. These instructions should not be performed by "do-it-yourselfers." Customers should not assume this bulletin applies to their vehicle or that their vehicle will develop the described concern. To determine if the information applies, customers should contact their nearest authorized Mazda dealership. Mazda North American Operations reserves the right to alter the specifications and contents of this bulletin without obligation or advance notice. All rights reserved. No part of this bulletin may be reproduced in any form or by any means, electronic or mechanical--including photocopying and recording and the use of any kind of information storage and retrieval system ---without permission in writing.

**PARTS INFORMATION**

Parts Number	Description	Qty.	Notes
PYY3-15-SA1	DUMMY PLUG FOR CCV	1	Set includes the plug
PYFB-15-169	GASKET, WATER OUTLET	1	[R] for Lower radiator hose component
PE13-15-296	CONNECTOR	1	[R] for water hose for A/T oil cooler
0000-77-508F-20	COOLANT	2	7.4 L {7.8 US qt, 6.5 Imp qt} maximum

[R]: Replacement parts

**CONSUMER NOTICE:** The information and instructions in this bulletin are intended for use by skilled technicians. Mazda technicians utilize the proper tools/ equipment and take training to correctly and safely maintain Mazda vehicles. These instructions should not be performed by "do-it-yourselfers." Customers should not assume this bulletin applies to their vehicle or that their vehicle will develop the described concern. To determine if the information applies, customers should contact their nearest authorized Mazda dealership. Mazda North American Operations reserves the right to alter the specifications and contents of this bulletin without obligation or advance notice. All rights reserved. No part of this bulletin may be reproduced in any form or by any means, electronic or mechanical---including photocopying and recording and the use of any kind of information storage and retrieval system ---without permission in writing.

**WARRANTY INFORMATION****NOTE:**

- This warranty information applies only to verified customer complaints on vehicles eligible for warranty repair.
- Additional diagnostic time cannot be claimed for this repair.
- This repair will be covered under Mazda's Powertrain Warranty:

Calif. Emission Warranty:

U.S.A. except 2018 MAZDA6, 2019/2020/2022 CX-3 and 2018 CX-5:

Calif. Emission Warranty (long term)

U.S.A. 2018 MAZDA6, 2019/2020 CX-3 and 2018 CX-5:

Calif. Emission Warranty (short term)

Process Number	TR050A
Warranty Type Code	A
Symptom Code	6X
Damage Code	9K
Part No. Main Cause	PYY3-15-SA1
Quantity	1
Related Part No.	PYY2-15-SAY
Quantity	1
Related Part No.	0000-77-508F20 & 2
Operation No. and Labor Hours	Refer to the table below
Period Covered	<p><b>Important:</b> The repair cost should be claimed / covered as below. Repair on the vehicle within Powertrain Warranty period: Please submit a normal warranty claim to using the process number TR050A.</p> <p>Repair on the vehicle beyond Powertrain Warranty period but up to 15 years/150,000 miles (240,000 km), please refer to SSPD8 Warranty Claim processing information.</p>

**CONSUMER NOTICE:** The information and instructions in this bulletin are intended for use by skilled technicians. Mazda technicians utilize the proper tools/ equipment and take training to correctly and safely maintain Mazda vehicles. These instructions should not be performed by "do-it-yourselfers." Customers should not assume this bulletin applies to their vehicle or that their vehicle will develop the described concern. To determine if the information applies, customers should contact their nearest authorized Mazda dealership. Mazda North American Operations reserves the right to alter the specifications and contents of this bulletin without obligation or advance notice. All rights reserved. No part of this bulletin may be reproduced in any form or by any means, electronic or mechanical---including photocopying and recording and the use of any kind of information storage and retrieval system ---without permission in writing.

Model	Engine	Variation	Operation No	Labor Hours (hrs.)
Mazda3	PE / PY	---	XXX43ARX	1.6
CX-30	PE / PY	---	XXX43ARX	1.6
CX-3	PE	---	XXX43ARX	1.6
CX-5	PE	M/T	XXX43ARX	1.6
		A/T	XXX43BRX	1.7
	PY	A/T		
Mazda6	PE / PY	---	XXX43BRX	1.7

**NOTE:**

- If the subject vehicle comes back again with DTC P0126:00, **contact the Technical Hotline.**
- For repairs of out of warranty period, refer to SSPD8 (except for Mexico).

**Warranty Claim Notes:**

- After CCV replacement and PCM reprogramming, successful confirmation of the software must be submitted in order to pay the Warranty Claim.
- For vehicles updated with IDS (CX-5 2018–2020MY, Mazda6, CX-3), download and print the log viewer session that shows the updated PCM software file and VIN and attach the data by selecting Attachment ID#20 (Printout from Diagnostic Tool) when submitting a warranty claim. Failure to submit the data will result in claim rejection, denial, or debit.
- All vehicles updated with MDARS require the upload of ODR (Manual) after the technician has completed all software updates. MDARS claims will not require data attachment as it is done electronically.
- If ODR is not uploaded successfully, or if software updates are missed, the warranty claim will not be accepted and the customer may have to return for corrections. The ODR Update (Manual) must be performed even if the module software is up to date.

**CONSUMER NOTICE:** The information and instructions in this bulletin are intended for use by skilled technicians. Mazda technicians utilize the proper tools/ equipment and take training to correctly and safely maintain Mazda vehicles. These instructions should not be performed by "do-it-yourselfers." Customers should not assume this bulletin applies to their vehicle or that their vehicle will develop the described concern. To determine if the information applies, customers should contact their nearest authorized Mazda dealership. Mazda North American Operations reserves the right to alter the specifications and contents of this bulletin without obligation or advance notice. All rights reserved. No part of this bulletin may be reproduced in any form or by any means, electronic or mechanical--including photocopying and recording and the use of any kind of information storage and retrieval system ---without permission in writing.