



Volvo Car Customer Service

TJ Instruction VCC-527893-1

Title	Differential pressure sensor particle filter	Page	1 (5)
Action	Product fix	Operation number:	98295-2

Issue	Date	Reason
1	2025-02	First issue
2	2025-09	Change in Affected Vehicles

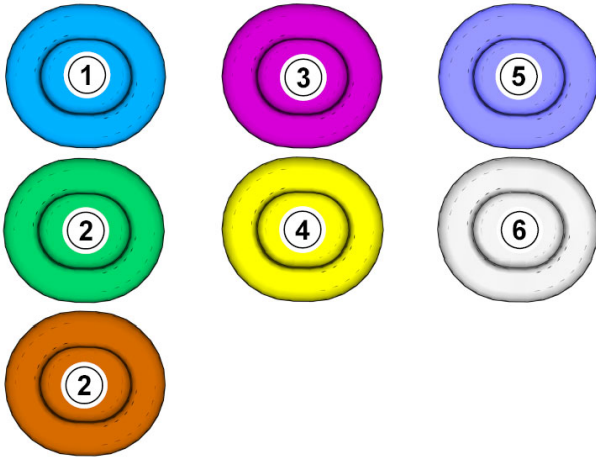
Affected vehicles

Model year	Model	Engine	Partner group
2021, 2022, 2023, 2024, 2025	S60 (19-)	B420T, T2, T3, T4, T5, T6	America China Nordic
2021, 2022, 2023, 2024	S90 (17-)	B420T, T2, T6	Nordic
2021, 2022, 2023, 2024, 2025, 2026	S90L	B420T, T2, T6	America China
2021, 2022, 2023, 2024, 2025, 2026	V60 (19-)	B420T, T2, T3, T4, T5, T6	America China Nordic
2021, 2022, 2023, 2024, 2025, 2026	V60 Cross Country (19-)	B420T2	America Nordic
2021, 2022, 2023, 2024, 2025, 2026	V90 (17-)	B420T, T2, T6	America Nordic
2021, 2022, 2023, 2024, 2025, 2026	V90 Cross Country	B420T, T2	America China Nordic
2020, 2021, 2022, 2023, 2024, 2025, 2026	XC60 (18-)	B420T, T2, T6	America China Nordic
2020, 2021, 2022, 2023, 2024, 2025, 2026	XC90 (16-)	B420T, T2	America China Nordic

Materials

Materials	Qty.	Part No.	Notes
Strip clamp	4.0	983750	

Color symbols

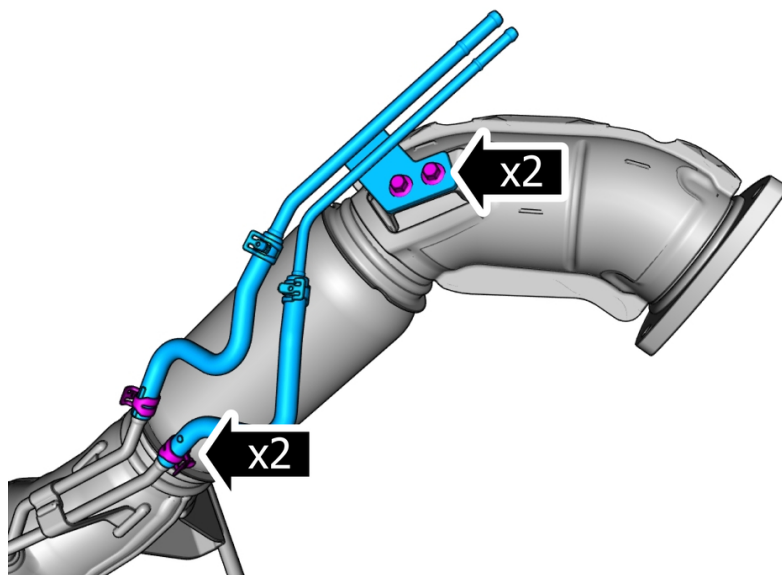


Note! This colour chart displays (in colour print and electronic version) the importance of the different colours used in the images of the method steps.

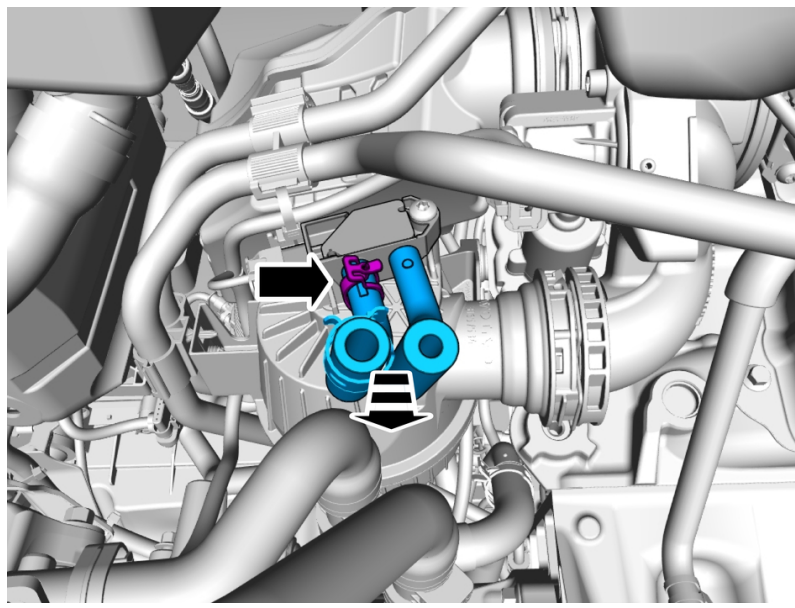
- 1 . Used for focused component, the component with which you will do something.
- 2 . Used as extra colors when you need to show or differentiate additional parts.
- 3 . Used for attachments that are to be removed/installed. May be screws, clips, connectors, etc.
- 4 . Used when the component is not fully removed from the vehicle but only hung to the side.
- 5 . Used for standard tools and special tools.
- 6 . Used as background color for vehicle components.

Removal

Remove particle filter gasoline , refer to:
 Removal, replacement and installation
 2 - Engine with mountings and equipment
 25 - Intake and exhaust system
 254 - catalytic converter and emission control



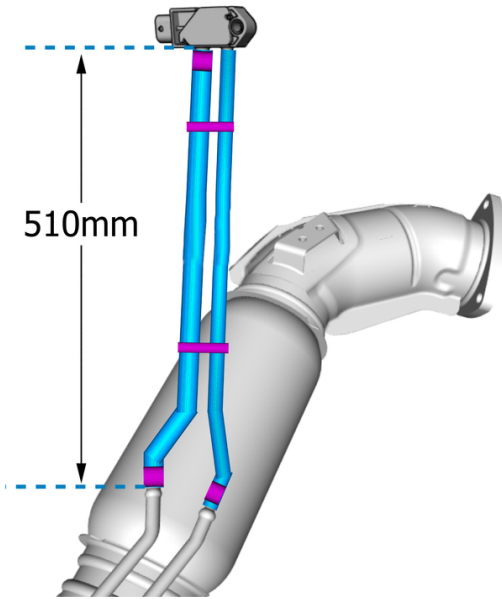
Loosen the hose clamps.
 Remove the screws.
 Remove the marked parts.



Loosen the hose clamp.
Remove the marked parts.

Modification

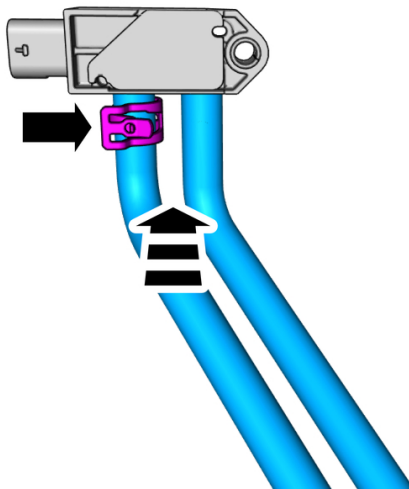
Note! Method description overview





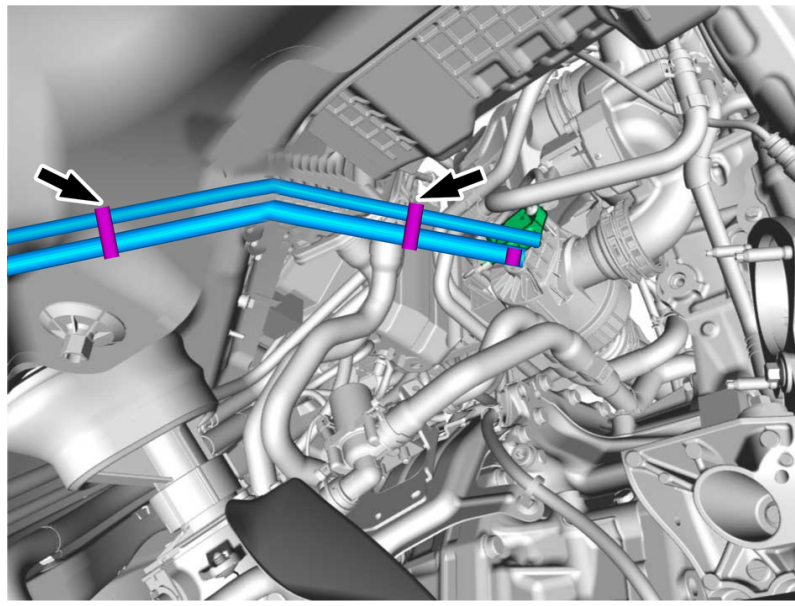
Assemble the components according to image.

Use: Strip clamp , 983750



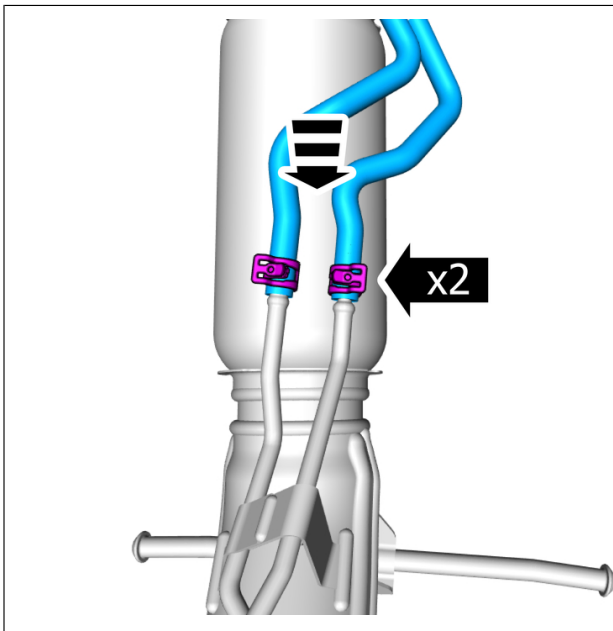
Note! The length of the hoses must be adjusted so that hot surfaces are avoided

Install the marked components.



Note! The length of the hoses must be adjusted so that hot surfaces are avoided

Install the hoses.



Note! The length of the hoses must be adjusted so that hot surfaces are avoided

Install the marked components.

Installation

Install particle filter gasoline , refer to:
Removal, replacement and installation
2 - Engine with mountings and equipment
25 - Intake and exhaust system
254 - catalytic converter and emission control