

# V O L V O

## Volvo Car USA LLC

## Technical Journal

Technical Journal Title Check Engine Light with DTC ECM P244A00		Ref. No. TJ 36747.1.0	
Issuer (Dept.) Technical Service		Issue Date 11/6/25	Status Date 11/12/25
Car Market United States and Canada	Partner 3 US 7510 Volvo Car USA	Function Group 2540	
Function Description Catalytic converter and emission control		Page Page 1 of 7	

### Attachment

File Name	File Size
TJI-527893-1_1_5_en-US.pdf	1.5151 MB

### DESCRIPTION:

If the Check Engine Light is illuminated in the DIM and DTC ECM P244A00 is set, please follow the advice under "Service".

### Abbreviations:

DIM: Driver Information Module.

DTC: Diagnostic Trouble Code.

ECM: Engine Control Module.

### CSC Customer Symptom Codes

Code	Description
DL	Warning lights and chimes/Malfunction Indicator Light ("Check engine" light) indication/no indication

### DTC Diagnostic Trouble Codes

Control Module	Code	Fault Type
ECM	P244A00	Permanent

### Vehicle Type

Type	Eng	Eng Desc	Sales	Body	Gear	Steer	Model Year	Plant	Chassis range	Struc Week Range
224	L1	BL1KERS					2021-9999		-	202022-999952
225	06	B06KERS					2021-9999		-	202022-999952
227	L1	BL1KERS					2021-9999		-	202022-999952
236	06	B06KERS					2021-9999		-	202022-999952
238	06	B06KERS					2021-9999		-	202046-999952
246	06	B06KERS					2020-9999		-	201946-999952
246	L1	BL1KERS					2020-9999		-	201946-999952
246	M1	BM1KERS					2025-9999		-	202417-999952

## Technical Journal 36747.1.0

Type	Eng	Eng Desc	Sales	Body	Gear	Steer	Model Year	Plant	Chassis range	Struc Week Range
256	06	B06KERS					2020-9999		-	201946-999952
256	L1	BL1KERS					2021-9999		-	202022-999952
256	M1	BM1KERS					2025-9999		-	202417-999952
536	K9	BK9KERS					2021-9999		-	202020-999952
536	L1	BL1KERS					2021-9999		-	202020-999952

### SERVICE:

This TJ is a complement to the fault tracing in VIDA. Please follow the steps below.

1. Clear the DTC.
2. Replace the pipes with the "DRS Hose Service Kit for Aftermarket" according to attachment TJI-527893-1\_1\_5\_en-US.pdf.
  - Ensure that the cut zip ties are not sharp and that they do not come into contact with any items.
3. Let the car idle for 5 minutes and then read out the DTC again.
  - If the DTC does not reset, release the car to the customer.
  - If the DTC does reset, continue to fault trace according to VIDA.

Part needed:

DRS Hose Service Kit for Aftermarket, PN 32462339. (One kit per vehicle)

### Warranty claim info:

To get a warranty claim accepted for a job described in this TJ, use the corresponding VST OP number stated in this TJ.

Please note that fault tracing is not eligible for separate reimbursement under this TJ. Any fault tracing VST operation numbers will be rejected.

The TJ number must be stated in the repair order text.

### VST Operation Number

VST Operation Number	Description
98295-2	Hoses, differential pressure sensor replace acc. to TJ
98817-2	DTC readout/ reset incl. VIDA connection acc. to TJ

### VEHICLE REPORT:

Yes, please submit a Vehicle Report if the service solution described in this TJ has no effect. Use the concern area "Vehicle Report" and the sub-concern area "Support Needed", use function group 2540.

**To view TJ attachments continue to next page. This TJ has one attachment.**



## Volvo Car Customer Service

TJ Instruction VCC-527893-1

<b>Title</b>	Differential pressure sensor particle filter	<b>Page</b>	1 ( 5 )
<b>Action</b>	Product fix	<b>Operation number:</b>	98295-2

Issue	Date	Reason
1	2025-02	First issue
2	2025-09	Change in Affected Vehicles

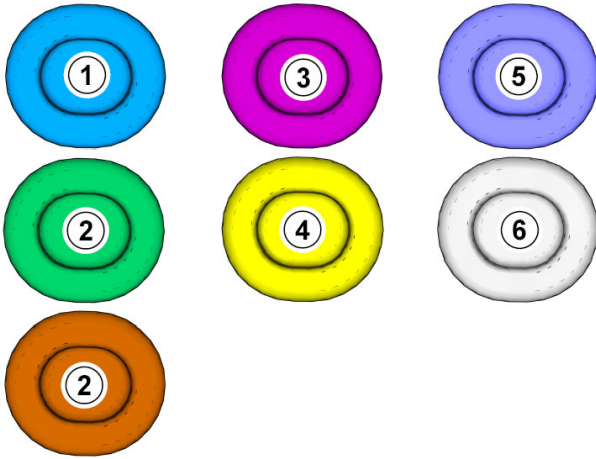
### Affected vehicles

Model year	Model	Engine	Partner group
2021, 2022, 2023, 2024, 2025	S60 (19-)	B420T, T2, T3, T4, T5, T6	America China Nordic
2021, 2022, 2023, 2024	S90 (17-)	B420T, T2, T6	Nordic
2021, 2022, 2023, 2024, 2025, 2026	S90L	B420T, T2, T6	America China
2021, 2022, 2023, 2024, 2025, 2026	V60 (19-)	B420T, T2, T3, T4, T5, T6	America China Nordic
2021, 2022, 2023, 2024, 2025, 2026	V60 Cross Country (19-)	B420T2	America Nordic
2021, 2022, 2023, 2024, 2025, 2026	V90 (17-)	B420T, T2, T6	America Nordic
2021, 2022, 2023, 2024, 2025, 2026	V90 Cross Country	B420T, T2	America China Nordic
2020, 2021, 2022, 2023, 2024, 2025, 2026	XC60 (18-)	B420T, T2, T6	America China Nordic
2020, 2021, 2022, 2023, 2024, 2025, 2026	XC90 (16-)	B420T, T2	America China Nordic

### Materials

Materials	Qty.	Part No.	Notes
Strip clamp	4.0	983750	

### Color symbols

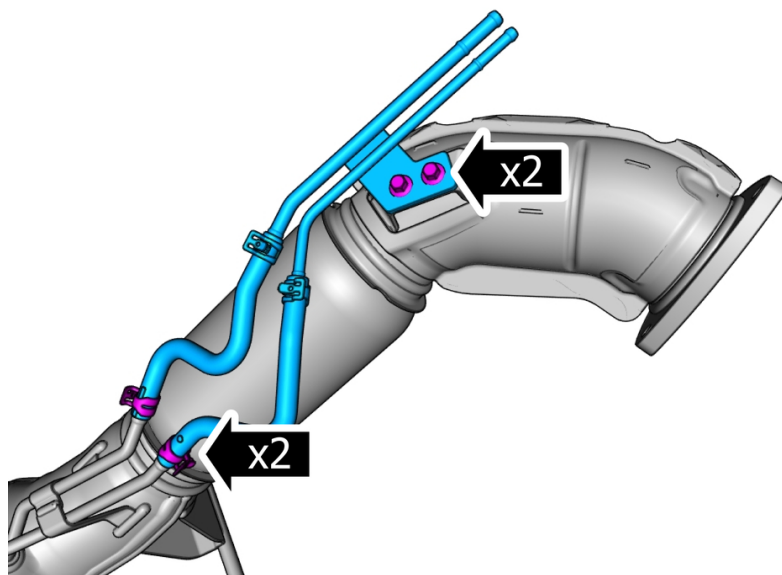


**Note! This colour chart displays (in colour print and electronic version) the importance of the different colours used in the images of the method steps.**

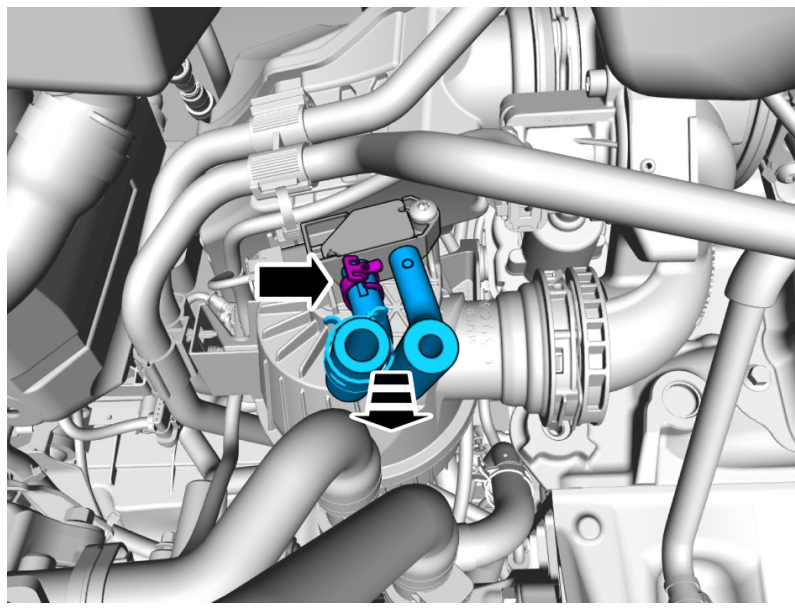
- 1 . Used for focused component, the component with which you will do something.
- 2 . Used as extra colors when you need to show or differentiate additional parts.
- 3 . Used for attachments that are to be removed/installed. May be screws, clips, connectors, etc.
- 4 . Used when the component is not fully removed from the vehicle but only hung to the side.
- 5 . Used for standard tools and special tools.
- 6 . Used as background color for vehicle components.

### Removal

Remove particle filter gasoline , refer to:  
 Removal, replacement and installation  
 2 - Engine with mountings and equipment  
 25 - Intake and exhaust system  
 254 - catalytic converter and emission control

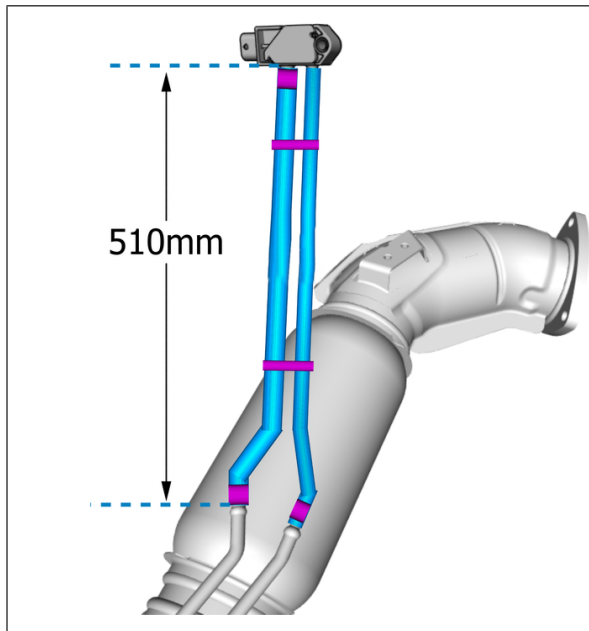


Loosen the hose clamps.  
 Remove the screws.  
 Remove the marked parts.



Loosen the hose clamp.  
Remove the marked parts.

**Modification**

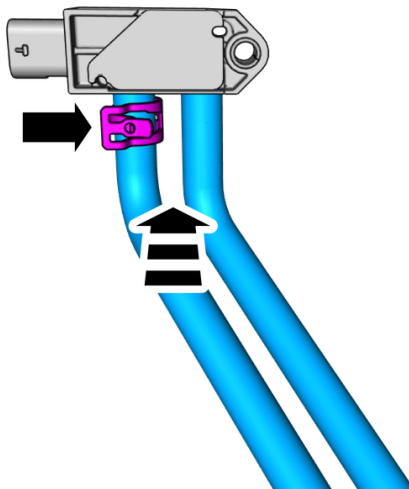


**Note! Method description overview**



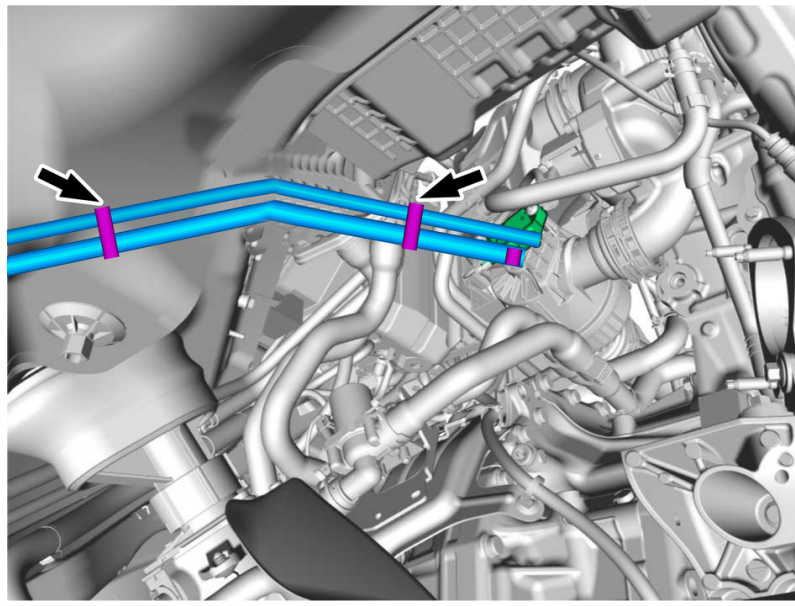
Assemble the components according to image.

**Use:** Strip clamp , 983750



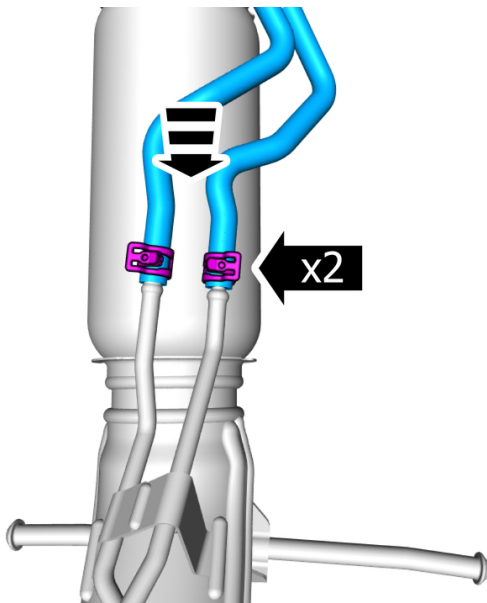
**Note!** The length of the hoses must be adjusted so that hot surfaces are avoided

Install the marked components.



**Note! The length of the hoses must be adjusted so that hot surfaces are avoided**

Install the hoses.



**Note! The length of the hoses must be adjusted so that hot surfaces are avoided**

Install the marked components.

### Installation

Install particle filter gasoline , refer to:  
Removal, replacement and installation  
2 - Engine with mountings and equipment  
25 - Intake and exhaust system  
254 - catalytic converter and emission control