



## STAR ONLINE PUBLICATION



**Case Number:** S2525000003

**Release Date:** December 2025

**Symptom/Vehicle Issue:** Diesel Exhaust Fluid (DEF) leaking around the gasket mount of the DEF doser causing an external, white, deposit build-up.

**Customer Complaint/Technician Observation:** Concern can be observed while servicing the vehicle or the customer may observe small drops/puddle under the vehicle when parked.

**NOTE:** This current action only applies to model year 2025 and 2026 DJ and D2 Pickup.

### Discussion:

If you receive a vehicle with the above condition, complete the following:

Replacement parts:

- 1) DEF injector gasket: **04627714AB**
- 2) DEF injector gasket and clamp kit: **68730730AA**, only the clamp is needed.
- 3) During this repair, gasket **04627714AB** will be used with the clamp from kit **68730730AA**. The gasket that comes with the **68730730AA** kit may be discarded.

Procedure:

- 1) Remove the bolts and the DEF injector shield which protects the DEF injector.
- 2) Remove the DEF supply line connected to the DEF injector.
- 3) Disconnect the DEF injector wire harness connector.
- 4) Remove and clean deposits from around the DEF injector and mount area.  
Hot water will aid in clean-up.

This document does not authorize warranty repairs. This communication documents a record of past experiences. STAR Online does not provide any conclusions about what is wrong with the vehicle. Rather, it captures all previous cases known that appear to be similar or related to the vehicle symptom / condition. You are the expert, and you are responsible for deciding on the appropriate course of action.

**Contact STAR Center, or your Technical Assistance Center Via TechConnect, eCONTACT or Service Library entry if no solution is found.**



## STAR ONLINE PUBLICATION



- 5) Remove DEF injector, clamp and gasket and any additional DEF crystals on the injector or mount surfaces.
  - a. Do not use abrasives or wire brushes on the DEF injector tip as this may cause damage to the component.
- 6) With the DEF injector removed, inspect the decomposition tube. If the tube opening is plugged or restricted, clean as necessary.
- 7) Pull tab on gasket **04627714AB** and expose the adhesive backing material. Reference picture below.
- 8) Install gasket on injector ensuring that it is centered on injector per the picture below.
  - a. DEF injector surface must be clean and free of any debris prior to installing the new gasket.
- 9) Using the new clamp from kit **68730730AA**, install DEF injector onto aftertreatment and torque to spec, 5 N·m (44 In. Lbs.)
- 10) Reinstall DEF injector electrical connector, DEF supply line and DEF injector shield (11 N·m 8 Ft. Lbs).

This document does not authorize warranty repairs. This communication documents a record of past experiences. STAR Online does not provide any conclusions about what is wrong with the vehicle. Rather, it captures all previous cases known that appear to be similar or related to the vehicle symptom / condition. You are the expert, and you are responsible for deciding on the appropriate course of action.

**Contact STAR Center, or your Technical Assistance Center Via TechConnect, eCONTACT or Service Library entry if no solution is found.**

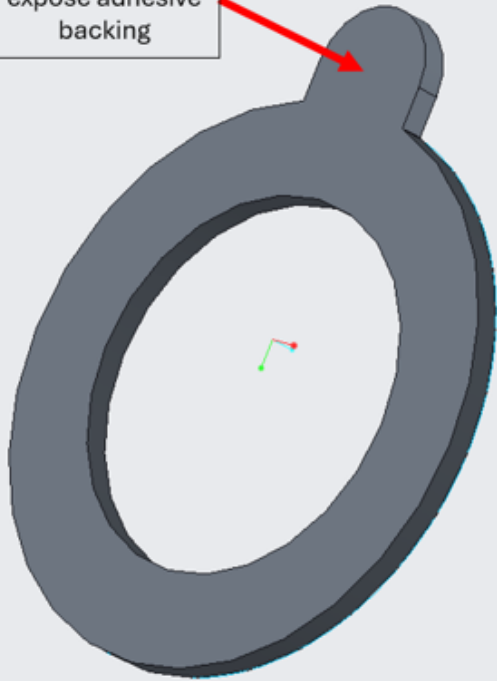


## STAR ONLINE PUBLICATION

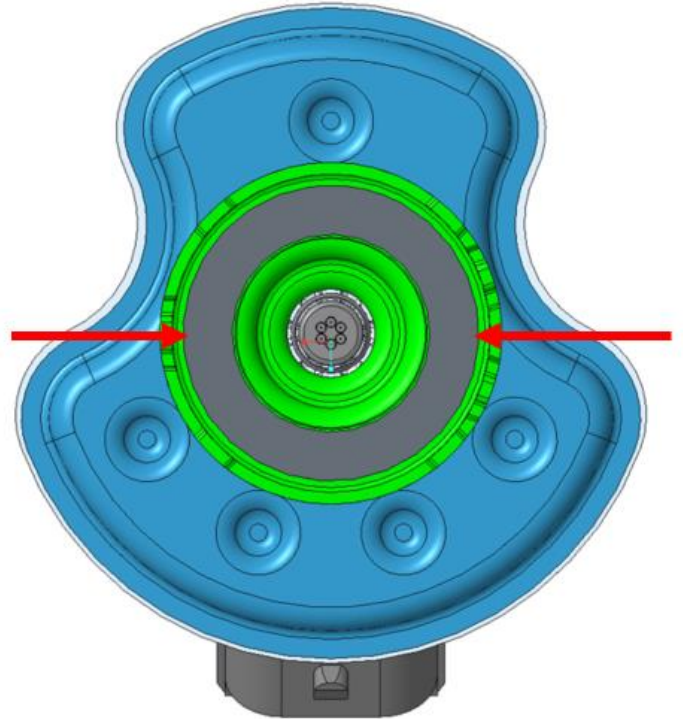


### Gasket p/n: 04627714AB

Remove tab to  
expose adhesive  
backing



Correct positioning of gasket (gray  
piece) – center within mount



This document does not authorize warranty repairs. This communication documents a record of past experiences. STAR Online does not provide any conclusions about what is wrong with the vehicle. Rather, it captures all previous cases known that appear to be similar or related to the vehicle symptom / condition. You are the expert, and you are responsible for deciding on the appropriate course of action.

**Contact STAR Center, or your Technical Assistance Center Via TechConnect, eCONTACT or Service Library entry if no solution is found.**