



## STAR ONLINE PUBLICATION



**Case Number:** S2502000002

**Release Date:** December 2025

**Symptom/Vehicle Issue:** Clunk Pop Noise From Front End While Driving.

**Customer Complaint/Technician Observation:** Customer says there is a clunk noise from the front end. Noise may happen with body twist like driving into a driveway. Technician finds the upper mount (anti rotational mount) has a cracked weld or the mount is broken.

**Discussion:** If the mount is the only issue, there is a service kit to replace the mount bracket and fasteners. It is not necessary to replace the entire disconnecting sway bar. See Fig 1 and Fig 2 below for information regarding the anti-rotational bracket kit.

<<<**NOTE**>>> Replace the mount using **68730602AB** or newer. Refer to StarPARTS for the most current part information.

**Tech Tip Part Description:** Frt Stabilizer assembly(smartbar)

**Tech Tip Description:** BSR from the front end due to Smartbar (disconnecting front sway bar). Root cause was identified as anti-rotation bracket (connects the actuator to the stabar) coming loose due to inadequate clamp load at the joint and weld (holds the bolt shaft and bracket flange) was poorly designed. If any vehicle causes BSR because of this Bracket failure (loose joint/ bracket bends) DO NOT replace whole stabar assembly, instead replace with the service kit (PN#68730602AA). Dealer must need to order the parts from part ordering system for this claim. This kit contains 1 bracket (PN 68730603AA), 3 M10 Nut (PN 68730605AA), 2 M8X1.5 Bolt (PN 68730606AA) and 2 M10X1.5 bolt (PN 06513427AA), 1 M10 Bolt (PN 68730607AA). This kit will also contain a new torque instruction for the bolt which holds the clamp bracket to this failed anti-rotation bracket. DO NOT apply the old torque (45+/5Nm Direct torque). The new torque is Angle controlled torque monitor (20Nm Snug torque, 110 deg Angle, monitor torque within 40-70Nm). Please use Service Library for your reference.

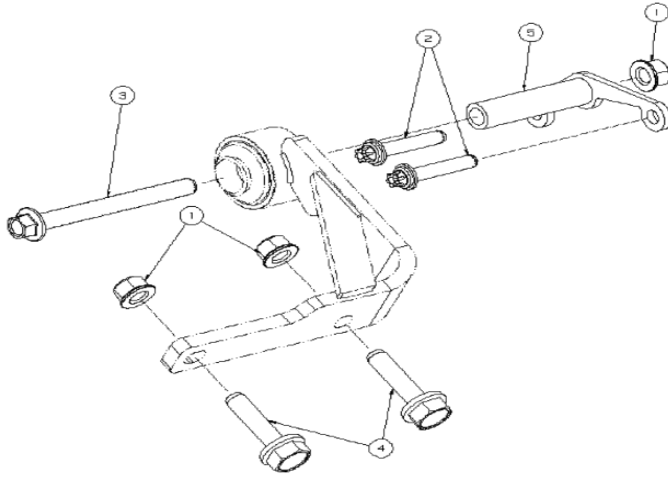
### Fig 1 Tech Tip Information For Replacement Stabilizer Bar Anti-Rotation Bracket

This document does not authorize warranty repairs. This communication documents a record of past experiences. STAR Online does not provide any conclusions about what is wrong with the vehicle. Rather, it captures all previous cases known that appear to be similar or related to the vehicle symptom / condition. You are the expert, and you are responsible for deciding on the appropriate course of action.

**Contact STAR Center, or your Technical Assistance Center Via TechConnect, eCONTACT or Service Library entry if no solution is found.**



## STAR ONLINE PUBLICATION



5	68730603AB
4	06513427AA
3	68730607AA
2	68730606AA
1	68730605AA
ITEM	SRV PN

Fig 2.

Individual parts shown are in kit 68730602AB. Only order AB or newer.

This document does not authorize warranty repairs. This communication documents a record of past experiences. STAR Online does not provide any conclusions about what is wrong with the vehicle. Rather, it captures all previous cases known that appear to be similar or related to the vehicle symptom / condition. You are the expert, and you are responsible for deciding on the appropriate course of action.

**Contact STAR Center, or your Technical Assistance Center Via TechConnect, eCONTACT or Service Library entry if no solution is found.**