

LED Headlights in Black With PDLs + (XEY)

Change
Overview:

Revision	Date	Change
0	11/16/2015	<ul style="list-style-type: none"> ▪ Original publication
1	11/10/2025	<ul style="list-style-type: none"> ▪ Updated to include additional 991 models ▪ Updated formatting ▪ Update to 'Work Procedure' section

Model Year: **As of 2012 up to 2016**

Cause: **Installation**

Restriction: **ONLY** for vehicles with LED headlights incl. Porsche Dynamic Light System Plus (602)!
Turbo/Turbo S/GT3/GT3 RS/GTS and R: ONLY released for vehicles **from MY'15 (F)**!



Notes: Operation and design of the black LED headlights is the same as that of the LED headlights including Porsche Dynamic Light System Plus.

Inner components and paintwork are in dark chrome metallic.

Parts Info: **ONLY** for Turbo/Turbo S/GT3/GT3 RS/GTS and R **From** MY'15 (F):
991.044.901.02 ⇒ LED headlights (XEY) – USA

ONLY for Carrera/Carrera S/Targa/Targa S including associated body and drive variants:
991.044.901.05 ⇒ LED headlights (XEY) – USA

The items specified below must also be ordered for vehicles up to the following chassis numbers:

99FS110061>>

A9ES122624>>

99ES113806>>

7PP.941.572.BB 2 x LED module control unit

Parts list:



Figure 2

— — —1	1 x	LED headlight, black, left, USA (XEY), (not shown)
— — —1	1 x	LED headlight, black, right, USA (XEY), (not shown)
— — —2	1 x	Auxiliary headlight, left ⇒ Figure 2 -3-
— — —2	1 x	Auxiliary headlight, right ⇒ Figure 2 -4-

1 Only contained in set 991.044.901.02 and 991.044.901.05.

2 Only contained in set 991.044.901.03, 991.044.901.04 and 991.044.901.05.

Tools: PIWIS Tester

Work Procedure: 1 Preparatory work

- 1.1 Connect the battery charger. ⇒ *Workshop Manual '2X00INC8 Battery trickle charging'*
- 1.2 Remove the main headlight. ⇒ *Workshop Manual '941519A9 Removing and installing main headlights'*
- 1.3 Remove front apron. ⇒ *Workshop Manual '631519A1 Removing and installing front apron'*



Information

Always comply with the regulations for handling ESD-sensitive components!

- Assembly work must only be carried out if the technician is wearing Porsche approved work clothes and shoes.
- The new part must only be removed from the ESD (electrostatic discharge) protective packaging just before installation and at the position at which the part is to be installed.
- Never touch the electric pins and plug contacts.

- 1.4 **ONLY** Carrera/Carrera S/Targa/Targa S including associated body and drive variants:
Remove and install new auxiliary headlights. ⇒ *Workshop Manual '947119A3 Removing and installing auxiliary headlights'*

2 Convert headlights



Information

- Some of the repair illustrations show only one side of the vehicle or a similar component.
- Naturally, some steps also have to be performed on the opposite side of the vehicle as well.

- 2.1 Remove light adjustment control unit from the standard headlight and install it on the new headlight. ⇒ *Figure 3* ⇒ *Workshop Manual '945719 Removing and installing control unit for light adjustment'*

- 1 – Screws
- 2 – Light adjustment control unit

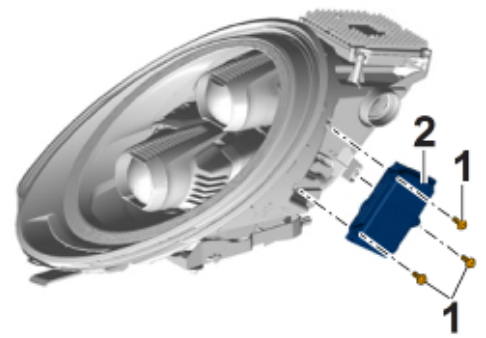


Figure 3

- 2.2 Convert LED module ⇒ *Figure 4*
- 2.2.1 Remove LED module fan and LED module fan holder from the standard headlight. ⇒ *Workshop Manual '941519B8 Removing and installing LED module fan'*
- 2.2.2 Remove LED module from the standard headlight and install it in the new headlight. ⇒ *Workshop Manual '942419A7 Removing and installing LED module'*
- 2.2.3 Install LED module fan and LED module fan holder in the new headlight.



Figure 4

- 2.3 Remove LED module control unit from the standard headlight. ⇒ *Figure 5*
- 1** – Screws
2 – LED module control unit
- 2.3.1 Unscrew screws .
- 2.3.2 Carefully disconnect LED module control unit from the headlight.

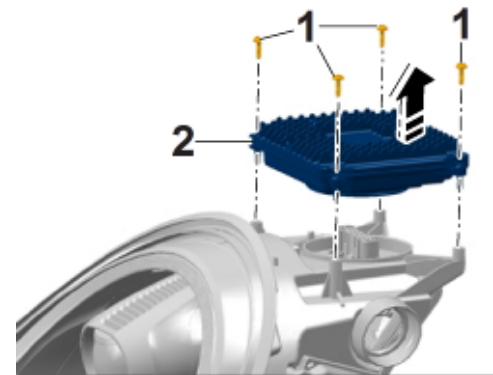


Figure 5

- 2.4 Fit LED module control unit on the new headlight. ⇒ *Figure 6*
- 1** – Screws
2 – LED module control unit
3 – Seal
- 2.4.1 Check that the seal is installed correctly on the LED module control unit.
- 2.4.2 Carefully insert LED module control unit into the headlight.
- 2.4.3 Screw in and tighten screws.
- 2.5 Remove mounting for headlights and install new mounting. ⇒ *Workshop Manual '941419A3 Removing and installing headlight mounting'*

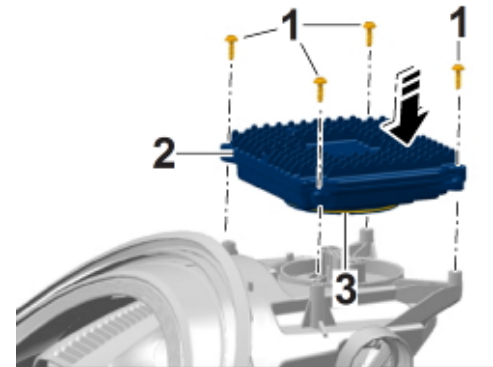


Figure 6

3 Follow-up actions

- 3.1 Install front apron. ⇒ *Workshop Manual '631519A1 Removing and installing front apron'*
- 3.2 Install main headlights. ⇒ *Workshop Manual '941519A9 Removing and installing main headlights'*

Coding:

4 Code/start-up new headlights (XEY)

4.1 Preparatory work – Coding

NOTICE

Voltage drop

- **Risk of irreparable damage to control unit**
 - **Risk of damage to control unit**
 - **Fault entries in the control unit**
 - **Coding in the control unit is aborted**
 - **Malfunctions in control unit, even during programming**
- ⇒ **Prior to disconnecting the control unit, switch off the ignition and remove the ignition key.**
- ⇒ **Ensure that the power supply is not interrupted during programming.**
- ⇒ **Connect battery charger/power supply suitable for AGM Type batteries, recommended current rating of 90A fixed voltage 13.5V to 14.5V, tool number VAS 5908.**

4.1.1 PIWIS Tester must be connected and ignition switched on.



Information

The **PIWIS Tester** instructions take precedence since the description may be different with later Tester releases.

The procedure described here has been structured in general terms. Different text or additional information may appear on the **PIWIS Tester**.

4.1.2 Select the required vehicle type. PIWIS Tester starts.

4.2 Maintenance of vehicle data

4.2.1 Select Additional menu by pressing **F7**. Confirm the question "Create vehicle analysis log (VAL)?" by pressing **F11**.

4.2.2 Select the "Vehicle data maintenance" function. Press **F12** until "X numbers" appears in the Value group column.

4.2.3 In the coding value column, select "XEY - LED headlights, darkened + dynamic cornering light". When you touch the "Installed" cell, a tick appears.

Continue with **F12** until "M numbers" appears in the Value group column.
In the coding value column, select "602 - LED headlights + dynamic cornering light".
When you touch the Installed cell, the tick disappears.

Press **F12** to continue.

4.2.4 A table showing all selected coding values appears. Press **F8** to write values.

Wait until "Generation of vehicle data is complete" appears.

4.2.5 Press **F12** to switch to Report management. Press **F10** to open the log and check whether the vehicle equipment "XEY - LED headlights, darkened + dynamic cornering light" is entered.

Check that the vehicle equipment "602 - LED headlights + dynamic cornering light" is no longer entered. Close the log.

4.3 Headlight start-up

4.3.1 Select the "Headlights, left/central" control unit.

Switch to the "Maintenance/repairs" menu.

4.3.2 Select the "Headlight start-up" function. Press **F12** to continue.

4.3.3 Follow the instructions on the PIWIS Tester until the message "Start-up completed successfully" appears. Press **F12** to continue.

4.3.4 Switch to the "Overview" menu. Press **F11** to go back.

4.4 Adjust the main headlights. ⇒ *Workshop Manual '941516A3 Adjusting headlights'*

4.5 Read out the fault memory of all systems, work through any existing faults and erase the fault memory. ⇒ *Workshop Manual '033500A3 Fault memory for on board diagnostics'*

4.6 Switch off ignition and disconnect the PIWIS Tester.

4.7 Disconnect the battery charger. ⇒ *Workshop Manual '2X00INC8 Battery trickle charging'*

94 15 23 41: **ONLY** for Carrera/Carrera S/Targa/Targa S including associated body and drive variants:

LED headlight, black, installed

Labor time: **262 TU**

Includes: Removing and installing main headlights, front apron and auxiliary headlights, adjusting headlights

94 15 23 43: **ONLY** for Turbo/Turbo S/GT3/GT3 RS/GTS and R AB MY'15 (F):

LED headlight, black, installed

Labor time: **245 TU**

Includes: Removing and installing main headlights, front apron, adjusting headlights

Important Notice: Technical Bulletins issued by Porsche Cars North America, Inc. are intended only for use by professional automotive technicians who have attended Porsche service training courses. They are written to inform those technicians of conditions that may occur on some Porsche vehicles, or to provide information that could assist in the proper servicing of a vehicle. Porsche special tools may be necessary in order to perform certain operations identified in these bulletins. Use of tools and procedures other than those Porsche recommends in these bulletins may be detrimental to the safe operation of your vehicle, and may endanger the people working on it. Properly trained Porsche technicians have the equipment, tools, safety instructions, and know-how to do the job properly and safely. Part numbers listed in these bulletins are for reference only. The work procedures updated electronically in the Porsche PIWIS diagnostic and testing device take precedence and, in the event of a discrepancy, the work procedures in the PIWIS Tester are the ones that must be followed.

© 2025 Porsche Cars North America, Inc.