



<b>Subject:</b>  <b>NEW AUTOMATIC TRANSMISSION FLUID (ATF-A7)</b>	<b>Service Alert No.: SA-040/25</b>
	<b>Last Issued : 11/17/2025</b>

## BULLETIN NOTES

This Service Alert supersedes the previously issued SA(s) listed below. The changes are noted in Red.

Previous SAs:	Date(s) Issued:
SA-040/25	08/26/2025
SA-055/24	08/13/24
SA-055/23	09/28/23
SA-063/22	10/04/22

## APPLICABLE MODEL(S)/VINS

- 2023-2026 CX-30 (2.5L with cylinder deactivation)
- 2023-2026 Mazda3 (2.5L with cylinder deactivation)
- 2024-2025 CX-5 (2.5L with EGR cooler)
- 2024-2026 CX-90 (MHEV and PHEV)
- 2025-2026 CX-70 (MHEV and PHEV)

## DESCRIPTION

A New Automatic Transmission Fluid (ATF-A7) is being used for some 2023-2026 models. ATF-A7 is an extremely low viscosity formulation with low friction to achieve best-in-class fuel economy and driving performance.

- For easy identification, ATF-A7 is colored Red and ATF-FZ is colored Blue.
- ATF-A7 includes UV-reactive dye (see "Fluorescence Example" below).
- There is NO interchangeability between ATF-A7 and ATF-FZ.
- For CX-30, Mazda3, and CX-5, some 2.5L and all 2.5T engines still use ATF-FZ. Verify the type of ATF according to what is in MGSS (TRANSMISSION/TRANSAXLE TECHNICAL DATA) or what is marked on the dipstick (see "ATF-A7 Identification" below).

**CAUTION** - When you need to change or refill the Automatic Transmission Fluid (ATF) for this ATX, always make sure to use "ATF-A7". If any ATF other than "ATF-A7" is used in the ATX, Mazda cannot guarantee the performance or reliability of the above ATX. Any malfunction caused by usage of ATF other than "ATF-A7" **WILL NOT** be covered by warranty. Also, **DO NOT** use ATF-A7 for any other ATX, otherwise it could cause serious issues with the ATX.

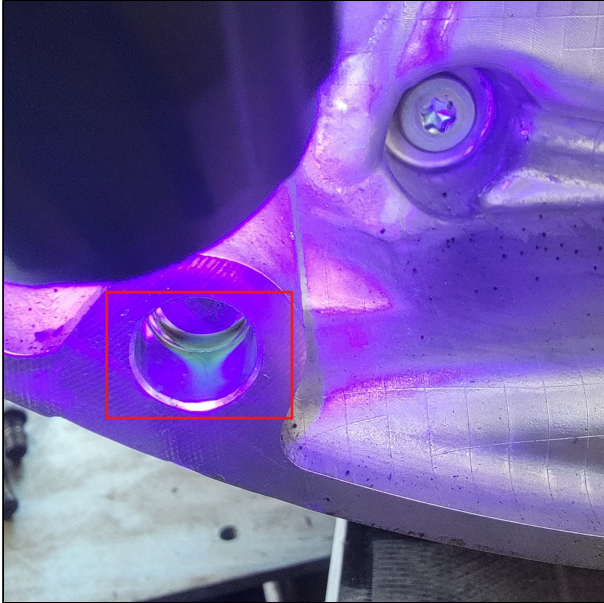
**CONSUMER NOTICE:** The information and instructions in this bulletin are intended for use by skilled technicians. Mazda technicians utilize the proper tools/ equipment and take training to correctly and safely maintain Mazda vehicles. These instructions should not be performed by "do-it-yourselfers." Customers should not assume this bulletin applies to their vehicle or that their vehicle will develop the described concern. To determine if the information applies, customers should contact their nearest authorized Mazda dealership. Mazda North American Operations reserves the right to alter the specifications and contents of this bulletin without obligation or advance notice. All rights reserved. No part of this bulletin may be reproduced in any form or by any means, electronic or mechanical--including photocopying and recording and the use of any kind of information storage and retrieval system ---without permission in writing.

**NOTE** - If the dipstick is marked "FZ", use ATF-FZ. **DO NOT** use any ATF other than ATF-FZ.

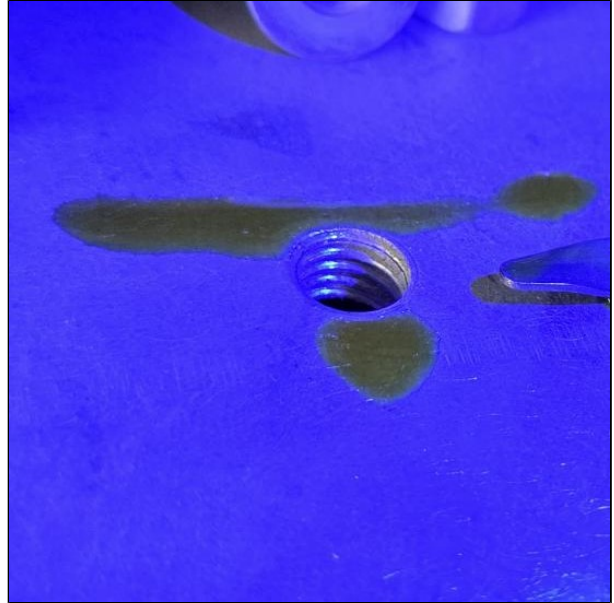


**Fluorescence Example**

**ATF-A7**



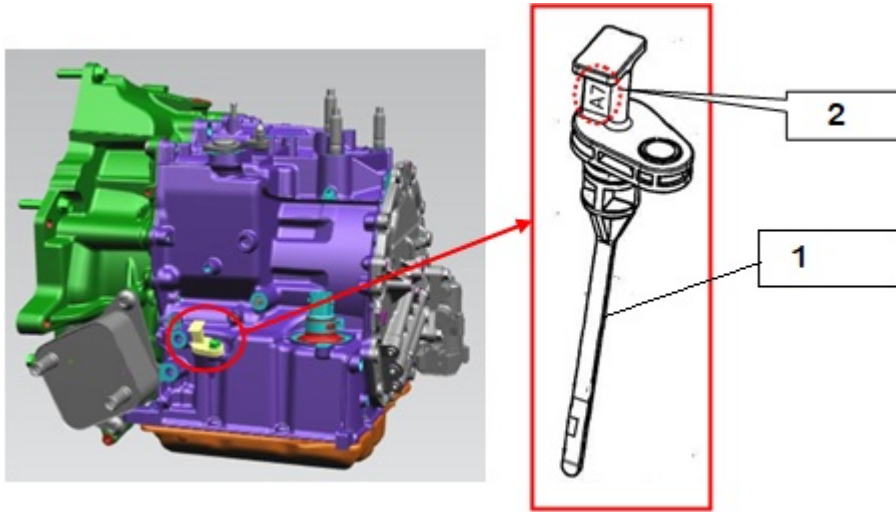
**Engine Oil With Dye Added (Reference)**



**CONSUMER NOTICE:** The information and instructions in this bulletin are intended for use by skilled technicians. Mazda technicians utilize the proper tools/ equipment and take training to correctly and safely maintain Mazda vehicles. These instructions should not be performed by "do-it-yourselfers." Customers should not assume this bulletin applies to their vehicle or that their vehicle will develop the described concern. To determine if the information applies, customers should contact their nearest authorized Mazda dealership. Mazda North American Operations reserves the right to alter the specifications and contents of this bulletin without obligation or advance notice. All rights reserved. No part of this bulletin may be reproduced in any form or by any means, electronic or mechanical---including photocopying and recording and the use of any kind of information storage and retrieval system ---without permission in writing.

For ATX that require ATF-A7, "A7" is marked on the dipstick as shown.

**ATF-A7 Identification**



1	Dipstick
2	"A7"

**PARTS INFORMATION**

Product Name	Mazda Original Oil ATF A7
Part Number	0000-A7-115-QT
Packaging	12 bottles per box
Size of Bottles	1 Quart

**CONSUMER NOTICE:** The information and instructions in this bulletin are intended for use by skilled technicians. Mazda technicians utilize the proper tools/ equipment and take training to correctly and safely maintain Mazda vehicles. These instructions should not be performed by "do-it-yourselfers." Customers should not assume this bulletin applies to their vehicle or that their vehicle will develop the described concern. To determine if the information applies, customers should contact their nearest authorized Mazda dealership. Mazda North American Operations reserves the right to alter the specifications and contents of this bulletin without obligation or advance notice. All rights reserved. No part of this bulletin may be reproduced in any form or by any means, electronic or mechanical---including photocopying and recording and the use of any kind of information storage and retrieval system ---without permission in writing.



**CONSUMER NOTICE:** The information and instructions in this bulletin are intended for use by skilled technicians. Mazda technicians utilize the proper tools/ equipment and take training to correctly and safely maintain Mazda vehicles. These instructions should not be performed by "do-it-yourselfers." Customers should not assume this bulletin applies to their vehicle or that their vehicle will develop the described concern. To determine if the information applies, customers should contact their nearest authorized Mazda dealership. Mazda North American Operations reserves the right to alter the specifications and contents of this bulletin without obligation or advance notice. All rights reserved. No part of this bulletin may be reproduced in any form or by any means, electronic or mechanical--including photocopying and recording and the use of any kind of information storage and retrieval system ---without permission in writing.