

Parking Heater ECU Replacement

Release: 1

Technician Skill Level: A

Revision Note: 11/2025 Initial Release

Market: North America

Service Category: Service Department

Applicability: Please refer to VDA+

Section: Function Group 875

Description:

Certain Volvo VN (4) model trucks are equipped with a parking heater control module that was not programmed at the time of manufacture.

Concern:

The parking heater might not be able to communicate with the truck, which could result in a mismatch of sub-hardware also affecting the truck's availability to receive programming updates.

Action:

Follow the instructions in this document to replace the park heater ECU with a new one and verify the system functions as intended.

Warranty Information

This repair is covered by an authorized Service Program. Reimbursement is obtained through the normal claim handling process.			
Claim Type (used only when uploading from the Dealer Bus. Sys.)			B
Labor Code		Description	Total Hours
Main Code	8750-03-02-01	Eberspacher Warranty (5 X 0.1)	0.5
Causal Part		24017124	
SCC Authorization Code		S4683	
Expiration Date		November 30, 2026	

Parking Heater ECU Replacement

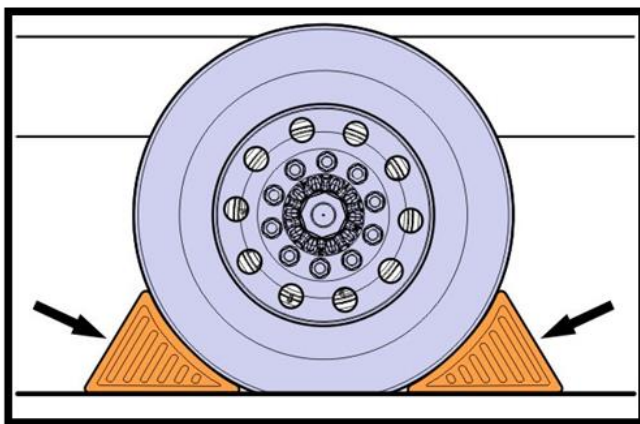
Parts Information

Order parts following the normal ordering process.

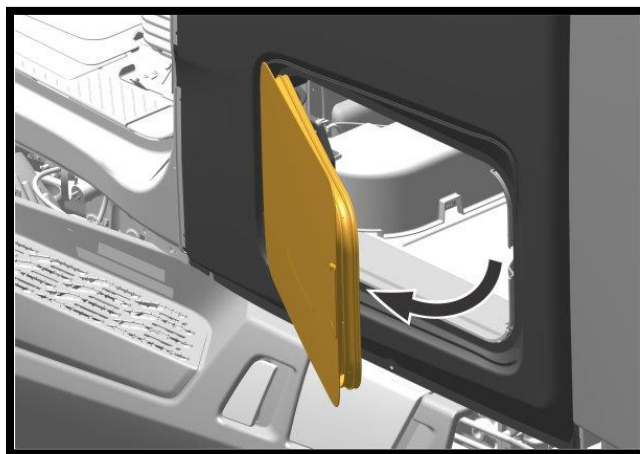
Part Numbers	Part Names	Quantity
24017124	Control Box Kit	1

Repair Procedure

1. Park the vehicle on level surface.
2. Apply parking brake.
3. Place the transmission in park or neutral.
4. Turn off ignition.
5. Install wheel chocks.



6. Turn off the maintenance disconnect switch (MDS) following Impact operation **3100-09-01-06 Low Voltage System, Decommissioning (Steps 1 – 9 Only)**.
7. Open the Driver's side storage door.



Parking Heater ECU Replacement

8. Locate the parking heater.
9. Remove the cover.



10. Loosen both clamp and remove the hose.

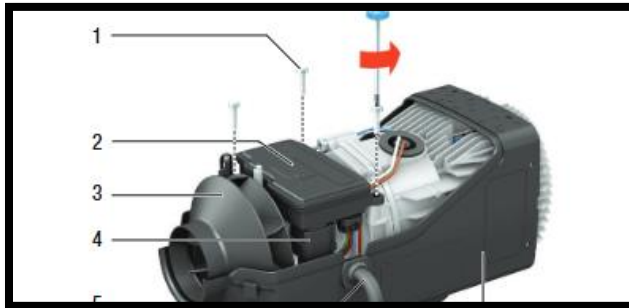


11. Unlatch the fasteners (2) and lift the cover (1) also pulling outward.

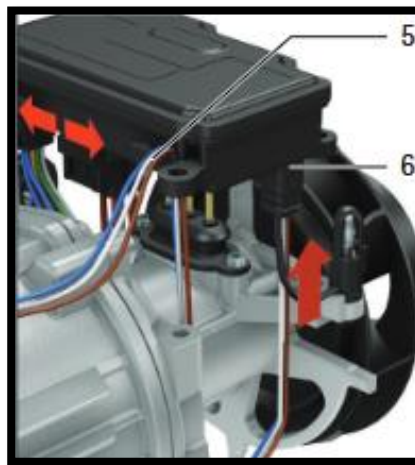
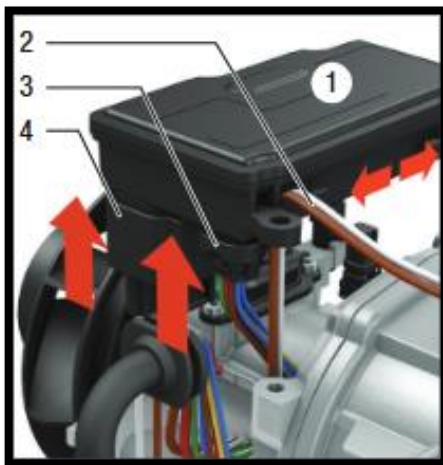


Parking Heater ECU Replacement

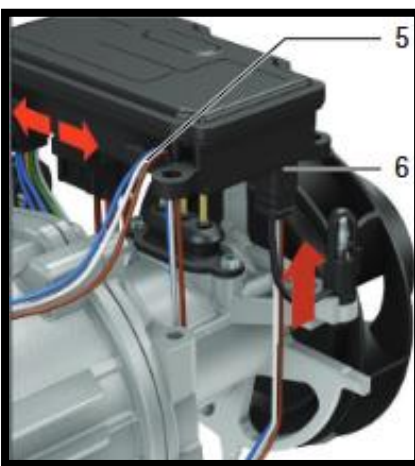
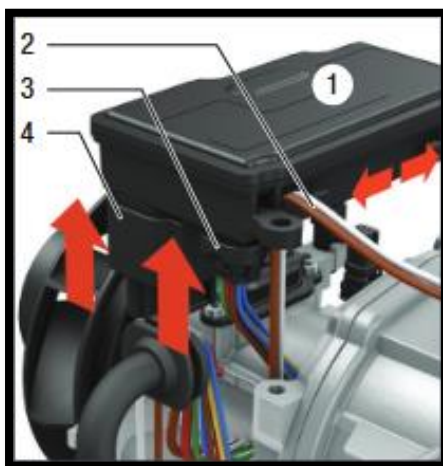
12. Remove the three ECM mounting screws (1) using a T20 bit.
13. Lift up on the ECU (2).



14. Disconnect the three connectors (3, 4, and 6) and unclip the wiring (2 and 5).

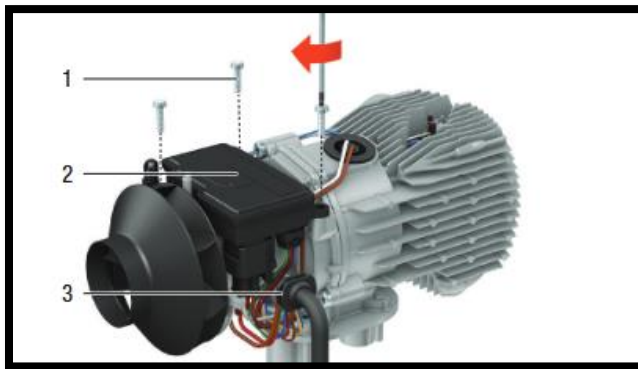


15. Remove the old ECU.
16. Position the new ECU close enough to connect the plugs.
17. Plug in connectors (3, 4, and 6) into the new ECU, Clip the wiring (2 and 5) into holder.



Parking Heater ECU Replacement

18. Install the new ECU (2) and secure with the three mounting screws (1).



Tightening torque

ECM, screw

1.9 Nm (17 in*lbf)

19. Install the cover (1), ensure it is fully clipped into place.



20. Install hose and tighten both clamps.

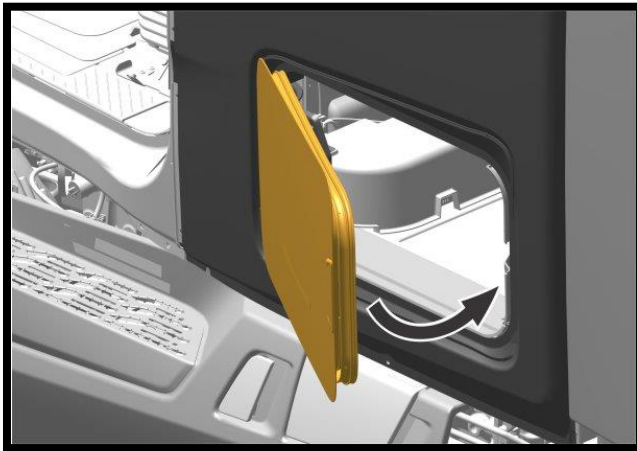


Parking Heater ECU Replacement

21. Install the cover.



22. Close the storage door.



23. Turn on the MDS following Impact operation **3100-09-01-05 Low Voltage System, commissioning (Steps 11 – 18 Only)**.

24. Verify the parking heater functions as intended.

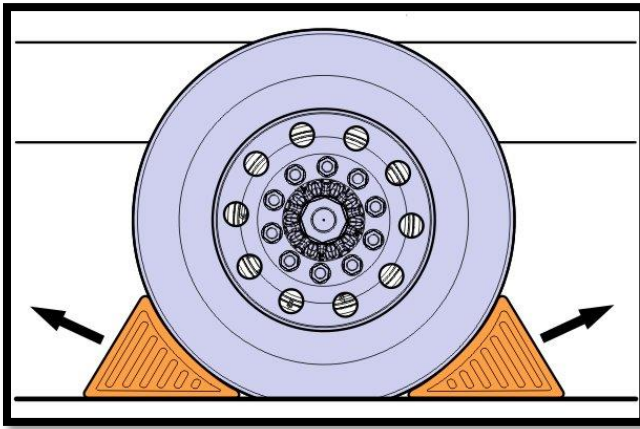
Important Note!

For more information on parking heater system please see supporting documents in Impact.

- **Eberspacher Auxiliary Heater Troubleshooting and Repair Manual.**
Service - Function group 875 - Bulletins/Information.
- **Parking Heater, System Description.**
Service - Function group 87 - Description, Design and Function.

Parking Heater ECU Replacement

25. Remove wheel chocks.



26. Release truck for service.