


Title:	Pierce 600 Marker/Turn Light			
Number:	PB_753	Release Date:	10/21/2025	
Revision Number:	Not Applicable	Revision Date:	Not Applicable	
Chassis Type:	Custom Chassis			
Component Description:	Pierce 600 Marker/Turn Light			
Warranty:	Within 1 year: Pierce warranty; if one light fails, both will be replaced 1-5 years: Whelen warranty; if one light fails, both will be replaced 5+ years: No warranty; if one light fails, both need to be ordered and replaced			
Parts:	Clear Light (PN 61-5282), Amber Light (PN 61-5281)			

This is a Parts Bulletin. The upgrades outlined in this bulletin are optional. Parts and labor associated with these upgrades are not covered under warranty. Parts associated with this product upgrade are available for purchase through the dealer network.

Subject:

As a product improvement, Whelen has updated the design of the Pierce 600 Marker/Turn Light, while providing the same form, fit, and function of the original.

Purpose:

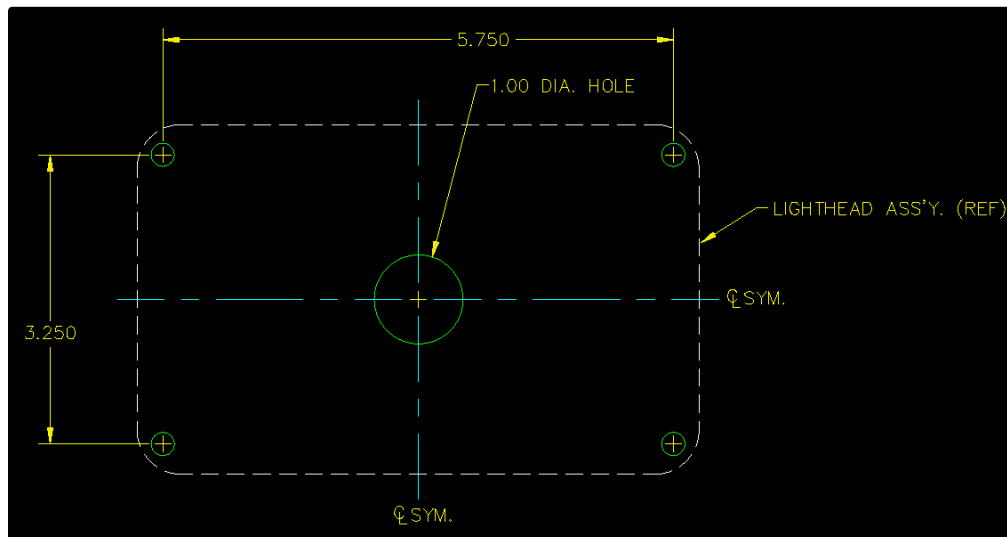
This bulletin will cover the design changes of the new lights compared to the original lights, the PN's for the new lights, along with the warranty timelines that cover replacement of the original lights (see "Warranty" in header block).

NOTE: See **WB_727 Whelen LED Light Warranty** for further details.

Description:

Design:

Mounting



The mounting hole spacing and overall dimensions of the new marker light are unchanged, with a slight reduction in the product height from 1.436" (original) to 1.35" (new) from back plate to lens.

PARTS BULLETIN #753

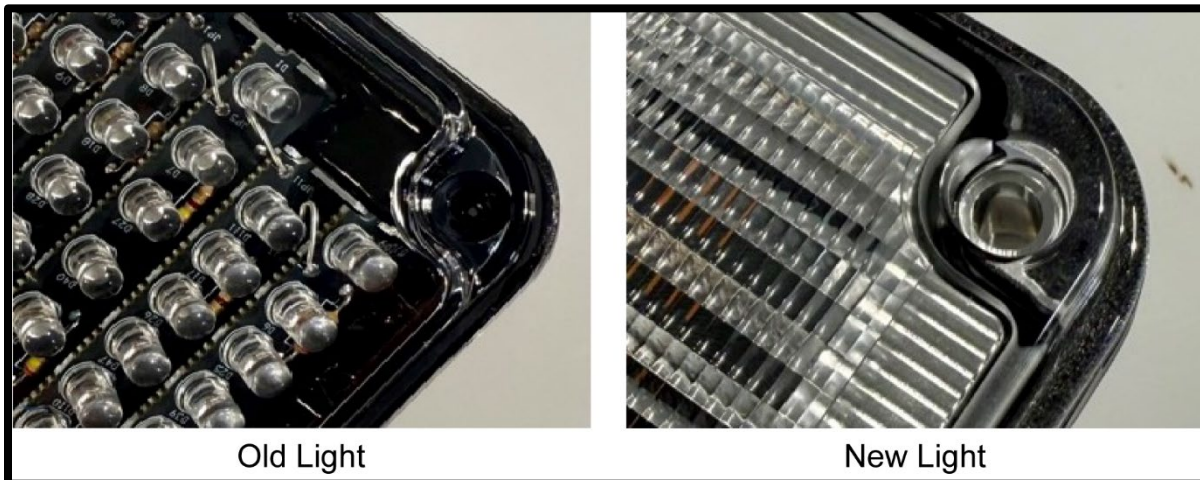
Wiring



The wire, wire color, and function of each wire are the same as the original light.

Color	Function
Yellow	Turn Light
Brown	Marker Light
White	Grounding Wire

Mounting Holes



Old Light

New Light

The mounting holes have been reinforced to protect the lens from damage due to overtightened screws.

PARTS BULLETIN #753

Back Plate



- Back plate is now made of metal for improved thermal performance.
- Wire grommet replaced with Whelen's patented E-Block Technology.
- Watertight seal around the wires provides better protection against the elements.

Lens Markings



The lens has been updated to include SAE and DOT markings.

New Part Numbers



If any additional support is needed, please open a technical support incident on www.pierceparts.com.