

WSN9- Replacing Plastic Slide On Three-Point Front Seat Belt (Workshop Campaign)

Model Line: **Macan (XAB)**

Model Year: **As of 2024 up to 2026**

Concerns: **Three-point front seat belt on passenger side**

Cause: **On the affected vehicles, there is a possibility that on the passenger side rattling noises could occur on the B-pillar due to the free-swinging belt tongue of the three-point seat belt.**

Action: Replace plastic slide on the three-point seat belt on the passenger side with a plastic slide with belt loop.

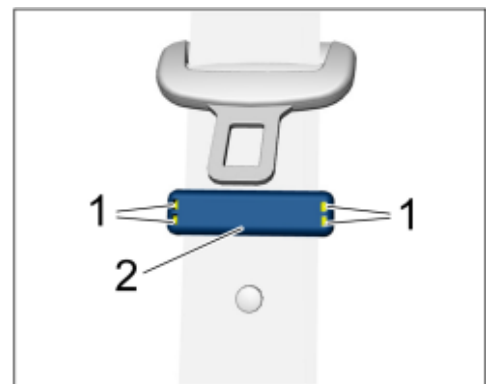
Affected Vehicles: Only vehicles assigned to the campaign (see also PCSS Vehicle Information).

Required parts

Parts Info:	Part No.:	Designation – Location	Number
	V04015858 RAA	Black belt loop ⇒ Black belt loop – Three-point front seat belt on passenger side	1 piece

Replacing plastic slide on three-point front seat belt

- Work Procedure:
- 1 Loosen retaining lugs ⇒ *Plastic slide without belt loop*
 -1- on the plastic slide ⇒ *Plastic slide without belt loop*
 -2- using a suitable tool, ⇒ *Plastic slide without belt loop*
 -2- open plastic slide and remove.
 - 2 Fasten **new** plastic slide with belt loop ⇒ *Plastic slide with belt loop*
 -1- to belt strap. Make sure that the belt loop under the belt tongue is pointing ⇒ *Plastic slide with belt loop*
 -2- upwards.



Plastic slide without belt loop



Plastic slide with belt loop

- 3 Fasten the removed plastic slide **without** belt loop to the three-point seat belt on **the driver side**.
- 4 Enter the campaign in the Warranty and Maintenance logbook.

Warranty processing



Information

The specified labor time was determined specifically for carrying out this campaign and includes all necessary preliminary and subsequent rework. The labor time can differ from the labor time published in the Labor Operation List in the PCSS.

Scope 1: **Replace plastic slide on three-point front seat belt**

Labor time:		
Replacing steering wheel		Labor time: 19 TU
Includes:		
Required parts:		
V04015858 RAA	Black belt loop	1 piece
⇒ Damage code: WSN9 066 000 2		

Important Notice: Technical Bulletins issued by Porsche Cars North America, Inc. are intended only for use by professional automotive technicians who have attended Porsche service training courses. They are written to inform those technicians of conditions that may occur on some Porsche vehicles, or to provide information that could assist in the proper servicing of a vehicle. Porsche special tools may be necessary in order to perform certain operations identified in these bulletins. Use of tools and procedures other than those Porsche recommends in these bulletins may be detrimental to the safe operation of your vehicle, and may endanger the people working on it. Properly trained Porsche technicians have the equipment, tools, safety instructions, and know-how to do the job properly and safely. Part numbers listed in these bulletins are for reference only. The work procedures updated electronically in the Porsche PIWIS diagnostic and testing device take precedence and, in the event of a discrepancy, the work procedures in the PIWIS Tester are the ones that must be followed.

© 2025 Porsche Cars North America, Inc.