



RCA-78-25-005-1: Install Water Shield onto Instrument Panel Harness and Body Harness

Rivian is initiating a customer satisfaction campaign for some model year 2022-2025 EDV and RCV vehicles. On these vehicles, the connection between the instrument panel harness and body harness could become corroded if it is exposed to liquid that is spilled in the instrument panel cup holder or adjacent areas. If corrosion occurs, the vehicle may not be able to turn on, may not be able to shift into drive or reverse, and/or may enter into a reduced performance safe-state mode with a fault indicator light illuminated on the driver display alerting the driver to have service performed on the vehicle. Rivian will install a water shield to protect the connection. Rivian is launching this campaign for customer satisfaction and to ensure the quality of Rivian vehicles.

Document Type	Customer Satisfaction Campaign Bulletin
Date	October 15, 2025
Affected Region(s)	USA, Europe
Affected Model(s)	EDV, RCV
Model Year(s)	2022-2025
Approximate Build Dates	December 2021-April 2025
 Refer to Open Containments in ServiceOS to determine if this document applies to a specific vehicle.	
Vehicle System	78 - Low Voltage Electrical
Minimum Service Location	Mobile

Required Parts

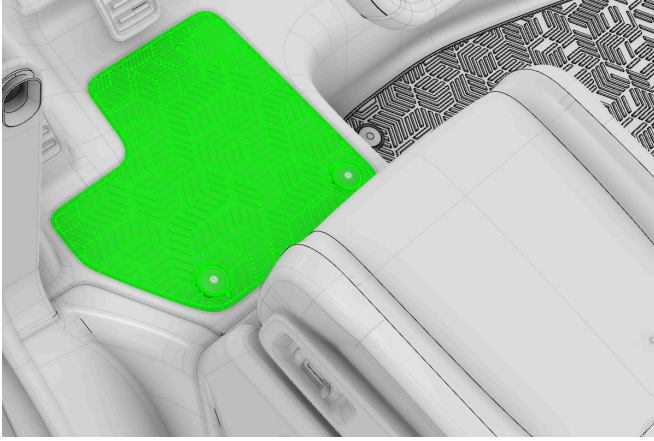
Part Number	Quantity	Engineering Name	Service Name/Notes
PT01551168-A	1	WATERSHIELD ASSY	

 **Attention:** The parts listed in this table are only for unique steps that are called out in this bulletin. Some sections of this bulletin might refer to Service Manual procedures which require additional parts. Always review the bulletin and all potentially related Service Manual procedures before ordering parts and beginning work.

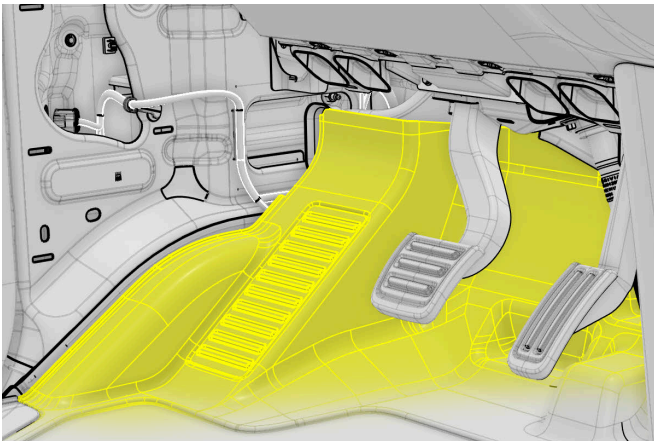
Procedure

1. Remove: Trim Panel, A-Pillar, Lower, Driver Side (refer to service manual procedure 642812010).
2. Remove: Cover, Instrument Panel, Bottom, Driver Side (refer to service manual procedure 641040010).

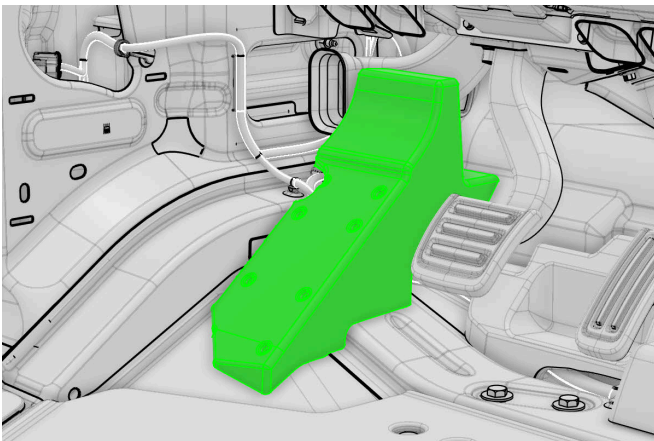
3.



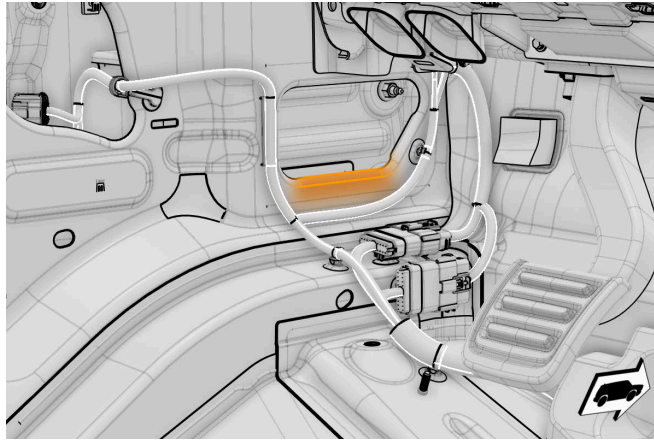
4.



5.

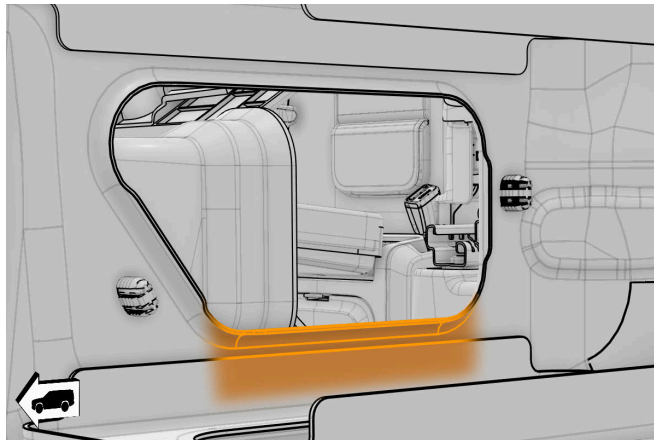


6. Clean the highlighted area(s). Use alcohol wipes or rubbing alcohol on a clean cloth.



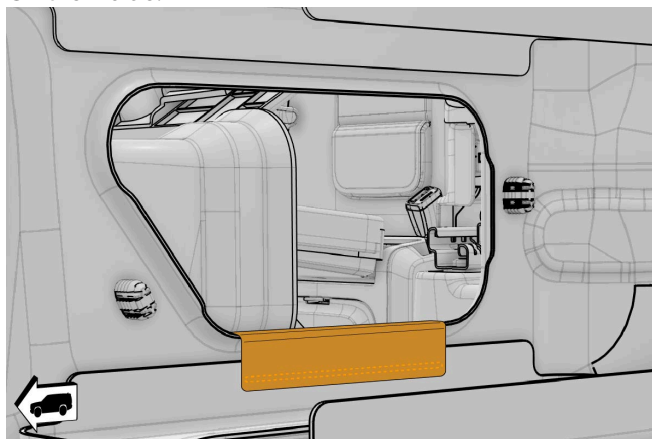
Note: Shown with components removed for clarity.

• On the inside:



7. Position the component(s) as shown. Install:

- On the inside:



Note: Shown with components removed for clarity.

8. Reinstall all components that were removed for access and replace all non-reusable components. Refer to the service manual procedures referenced in this document for additional component reusability information and torque specifications. No additional work is required.

Labor Codes

Labor Code	Description
RCA782500500	RCA-78-25-005 not applicable
RCA782500501	Install water shield to protect instrument panel harness/body harness connectors