

Technical Service Bulletin

Mazda North American Operations
Irvine, CA 92618-2922



Subject: WATER FOUND IN TRUNK AFTER HEAVY RAIN OR CAR WASH	Bulletin No.: 09-034/25
	Last Issued : 10/30/2025

BULLETIN NOTES

This bulletin supersedes the previously issued bulletin(s) listed below. The changes are noted in Red text.

Previous TSBs:	Date(s) Issued:
09-034/25	08/20/25

APPLICABLE MODEL(S)/VINS

2019-2026 Mazda3 4-Door (Japan built) vehicles with VINs lower than JM1 BP**** ** 852004 (Produced before Sept. 4, 2025)

DESCRIPTION

Some customers may notice water in the trunk after a car wash or heavy rain. This may be caused by insufficient sealing performance of the trunk lid weatherstrip. Due to improper installation of weatherstrips, the lip of the weatherstrip may lean toward the inside of the trunk, resulting in insufficient sealing performance. To eliminate this concern, the length of the trunk lid weatherstrip has been extended 14 mm {0.5 in.}.

Customers having this concern should have their vehicle repaired using the following repair procedure.

REPAIR PROCEDURE

1. Verify customer concern.

NOTE: Inspect for proper trunk lid alignment before proceeding with the repair. If the trunk lid is mis-aligned, it may be causing the water leak and replacing the weatherstrip may not resolve the problem. If trunk lid alignment is ok, proceed to next step.

2. Is the lip of the trunk lid weatherstrip tilted inward as shown in the image below?

- If Yes, proceed to Step 3.
- If No, the cause of water leak is not applicable to this Service Information.

CONSUMER NOTICE: The information and instructions in this bulletin are intended for use by skilled technicians. Mazda technicians utilize the proper tools/ equipment and take training to correctly and safely maintain Mazda vehicles. These instructions should not be performed by "do-it-yourselfers." Customers should not assume this bulletin applies to their vehicle or that their vehicle will develop the described concern. To determine if the information applies, customers should contact their nearest authorized Mazda dealership. Mazda North American Operations reserves the right to alter the specifications and contents of this bulletin without obligation or advance notice. All rights reserved. No part of this bulletin may be reproduced in any form or by any means, electronic or mechanical--including photocopying and recording and the use of any kind of information storage and retrieval system ---without permission in writing.

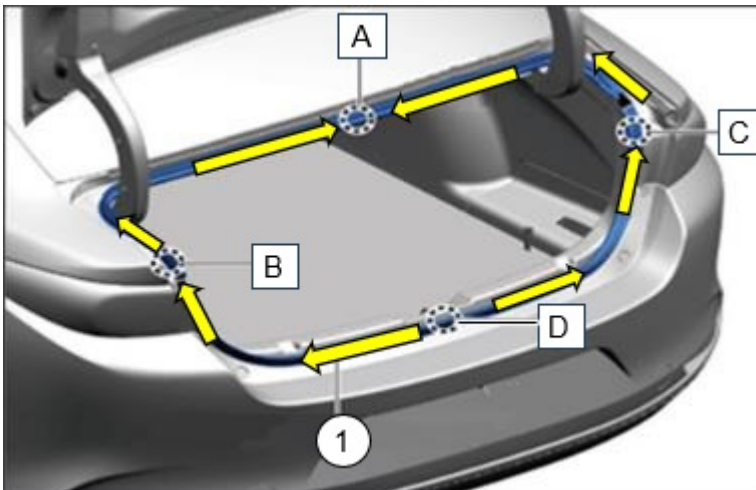


Weatherstrip area tilted inward

3. Replace the trunk lid weatherstrip with a new one according to the following procedures.

NOTE: For details for steps b - e below, refer to the instructions on MGSS TRUNK LID WEATHERSTRIP INSTALLATION (steps 1 - 4).

- a. Remove the trunk lid weatherstrip.
- b. Clean along the entire perimeter of the body panel flange.
- c. Align the trunk lid weatherstrip marking with the body panel marking and install (A) of the trunk lid weatherstrip.
- d. Align the contact point of the trunk lid weatherstrip with the trunk lid lock striker and install (D) (refer to the MGSS) of the trunk lid weatherstrip.
- e. Install the trunk lid weatherstrip (1) from (D) in the directions of the arrows shown below.



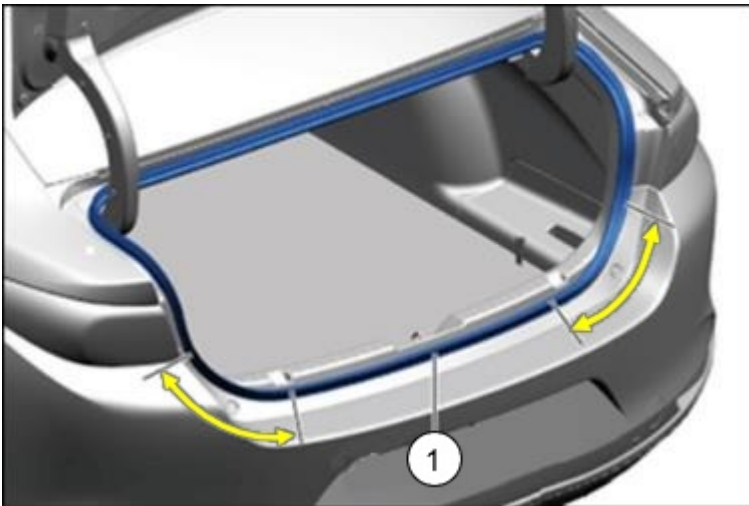
CONSUMER NOTICE: The information and instructions in this bulletin are intended for use by skilled technicians. Mazda technicians utilize the proper tools/ equipment and take training to correctly and safely maintain Mazda vehicles. These instructions should not be performed by "do-it-yourselfers." Customers should not assume this bulletin applies to their vehicle or that their vehicle will develop the described concern. To determine if the information applies, customers should contact their nearest authorized Mazda dealership. Mazda North American Operations reserves the right to alter the specifications and contents of this bulletin without obligation or advance notice. All rights reserved. No part of this bulletin may be reproduced in any form or by any means, electronic or mechanical--including photocopying and recording and the use of any kind of information storage and retrieval system ---without permission in writing.

Trunk Lid Weatherstrip Installation Note

Location	Installation Note
D	Starting point of weatherstrip (1) installation.
Straight area immediately after D (both left and right)	Install the weatherstrip with slight tension.
Corner area of D-B and D-C	Install the weatherstrip from bottom to top, gathering the corner sections towards the center of the corner.
B-A and C-A	Install the weatherstrip without stretching it.

f. Press in the trunk lid weatherstrip at the corner areas (yellow arrows) again.

NOTE: Refer to MGSS "Trunk Lid Weatherstrip Installation Note" and pay special attention to the Note when installing the corner sections.



4. Measure the height of the trunk lid weather strip according to steps a - c (below).

NOTE: The images below show the right side. The left side is symmetrical.

a. Create an L-shaped gauge (shown below) to measure the height of the weatherstrip using thick paper or similar material.

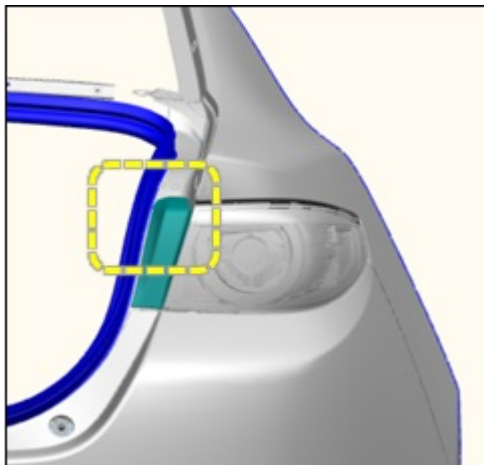
CONSUMER NOTICE: The information and instructions in this bulletin are intended for use by skilled technicians. Mazda technicians utilize the proper tools/ equipment and take training to correctly and safely maintain Mazda vehicles. These instructions should not be performed by "do-it-yourselfers." Customers should not assume this bulletin applies to their vehicle or that their vehicle will develop the described concern. To determine if the information applies, customers should contact their nearest authorized Mazda dealership. Mazda North American Operations reserves the right to alter the specifications and contents of this bulletin without obligation or advance notice. All rights reserved. No part of this bulletin may be reproduced in any form or by any means, electronic or mechanical---including photocopying and recording and the use of any kind of information storage and retrieval system ---without permission in writing.



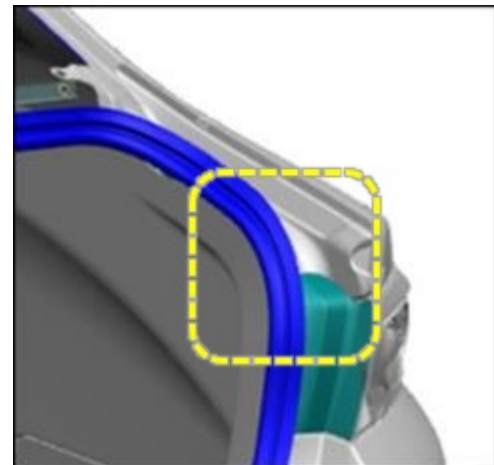
L-shaped gauge: 24mm {0.95 in.}

NOTE: Other L-shaped gauge dimensions are not specified; create as needed.

b. Place the L-shaped gauge at the center of the corner (yellow frame area) so that it contacts to the edge of the combination lamp as shown below.



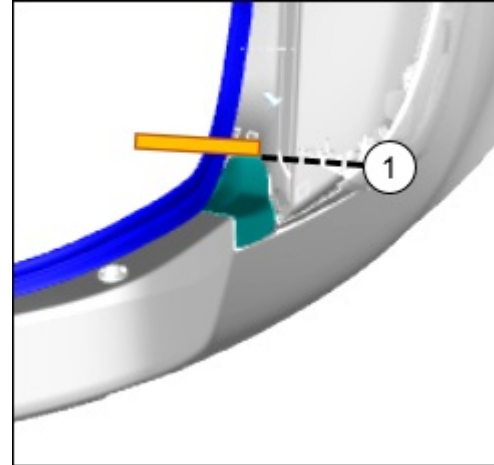
View from the vehicle rear



View from the the trunk room inside

CONSUMER NOTICE: The information and instructions in this bulletin are intended for use by skilled technicians. Mazda technicians utilize the proper tools/ equipment and take training to correctly and safely maintain Mazda vehicles. These instructions should not be performed by "do-it-yourselfers." Customers should not assume this bulletin applies to their vehicle or that their vehicle will develop the described concern. To determine if the information applies, customers should contact their nearest authorized Mazda dealership. Mazda North American Operations reserves the right to alter the specifications and contents of this bulletin without obligation or advance notice. All rights reserved. No part of this bulletin may be reproduced in any form or by any means, electronic or mechanical---including photocopying and recording and the use of any kind of information storage and retrieval system ---without permission in writing.

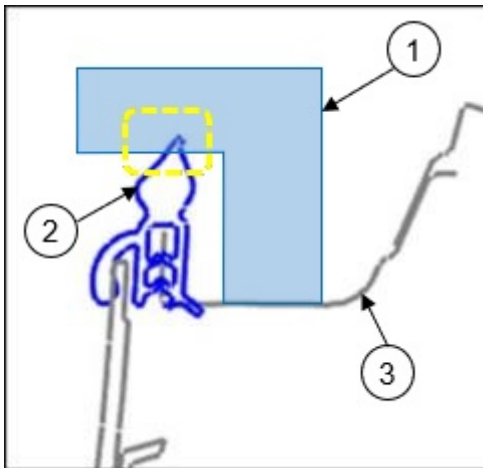
(1) Location to place the gauge:
Edge of the rear combination lamp.



View from above the vehicle

c. Check for the gap between the gauge (1) and the weatherstrip (2) below.
Does the top of the weatherstrip contact to the bottom of the gauge?

- If Yes, go to Step 5.
- If No, remove the weatherstrip and reinstall it properly.



GOOD: The top of the weatherstrip contacts the gauge.

- (1) L-shaped gauge
- (2) Trunk Lid Weatherstrip
- (3) Body Panel

5. Check for water intrusion in the trunk according to the following procedures. If water intrusion is detected, remove the trunk lid weatherstrip and reinstall it properly.

a. Spray water for 20-30 seconds on each side from a distance of 100 mm {4 in.} in front of both sides of the front edge of the trunk lid as shown below, ensuring that all the water enters the parting gap.

Page 5 of 7

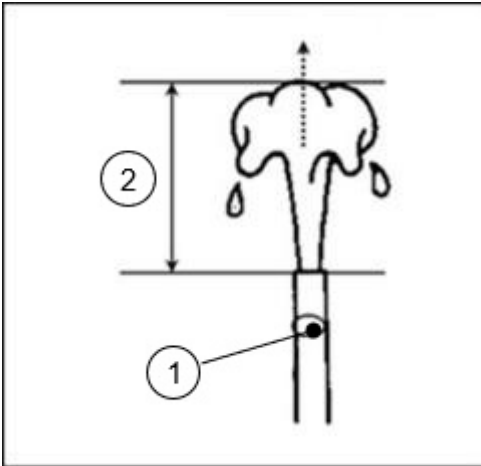
CONSUMER NOTICE: The information and instructions in this bulletin are intended for use by skilled technicians. Mazda technicians utilize the proper tools/ equipment and take training to correctly and safely maintain Mazda vehicles. These instructions should not be performed by "do-it-yourselfers." Customers should not assume this bulletin applies to their vehicle or that their vehicle will develop the described concern. To determine if the information applies, customers should contact their nearest authorized Mazda dealership. Mazda North American Operations reserves the right to alter the specifications and contents of this bulletin without obligation or advance notice. All rights reserved. No part of this bulletin may be reproduced in any form or by any means, electronic or mechanical--including photocopying and recording and the use of any kind of information storage and retrieval system ---without permission in writing.

► Water spraying conditions

- Water Flow Rate: The table below or 25.5 liters / min.

1	Hose Inner Diameter	14 - 16 mm {0.55 - 0.63 in.}
2	Water Head when facing vertically upward	270 - 330 mm {10.6 - 13.0 in.} (height of 950 - 1050 mm {37.4 - 41.3 in.} above the ground)

- Water Spraying Distance (3): 90 - 110 mm {3.5 - 4.3 in. }



PARTS INFORMATION

Parts Number	Description	Q'ty	Notes
BCKA-56-951B	Weatherstrip	1	Even if the old part number is BCJH-56-951*, BCKA-56-951B can be used.

WARRANTY INFORMATION

NOTE:

- This warranty information applies only to verified customer complaints on vehicles eligible for warranty repair.
- This repair will be covered under Mazda's New Vehicle Limited Warranty term.
- Additional diagnostic time cannot be claimed for this repair.

Warranty Type	A
Symptom Code	77

CONSUMER NOTICE: The information and instructions in this bulletin are intended for use by skilled technicians. Mazda technicians utilize the proper tools/ equipment and take training to correctly and safely maintain Mazda vehicles. These instructions should not be performed by "do-it-yourselfers." Customers should not assume this bulletin applies to their vehicle or that their vehicle will develop the described concern. To determine if the information applies, customers should contact their nearest authorized Mazda dealership. Mazda North American Operations reserves the right to alter the specifications and contents of this bulletin without obligation or advance notice. All rights reserved. No part of this bulletin may be reproduced in any form or by any means, electronic or mechanical---including photocopying and recording and the use of any kind of information storage and retrieval system ---without permission in writing.

Damage Code	9B
Causal Part No.	BCKA-56-951B
Quantity	1
Operation No. and Labor Hours	XXX3AXRX / 0.5 Hrs.

CONSUMER NOTICE: The information and instructions in this bulletin are intended for use by skilled technicians. Mazda technicians utilize the proper tools/ equipment and take training to correctly and safely maintain Mazda vehicles. These instructions should not be performed by "do-it-yourselfers." Customers should not assume this bulletin applies to their vehicle or that their vehicle will develop the described concern. To determine if the information applies, customers should contact their nearest authorized Mazda dealership. Mazda North American Operations reserves the right to alter the specifications and contents of this bulletin without obligation or advance notice. All rights reserved. No part of this bulletin may be reproduced in any form or by any means, electronic or mechanical---including photocopying and recording and the use of any kind of information storage and retrieval system ---without permission in writing.