

TufTrac M12 Bolts

TufTrac M12 Bolts

TSB-32-057-FTL

Creation Date: 2025-09-30

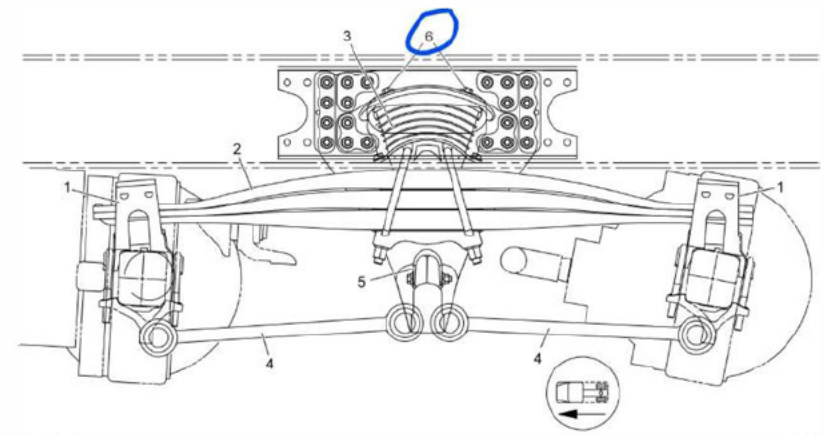
Engine or Vehicle Affected:

- ▶ Business Class M2-Plus
- ▶ 108SD Plus/114SD Plus
- ▶ 112SD and Coronado
- ▶ Business Class M2
- ▶ Argosy
- ▶ 108SD/114SD
- ▶ Columbia
- ▶ Century Class Conventional
- ▶ Cascadia

This is an informational bulletin only. The described condition is a product improvement and is not warrantable.

Described Condition

The 1/2-inch center bolts and weld nuts provided on TrufTrac® suspension systems are being replaced with M12 center bolts and weld nuts when the center bearing is replaced. This service bulletin provides instructions on how to replace TufTrac suspension 1/2-inch center bolts and weld nuts with M12 center bolts and weld nuts.



- 1. Axle Clamps
- 2. Leaf Springs
- 3. Center Bearing
- 4. Lower Control Rods
- 5. Rebound Stop
- 6. Fasteners