

- ATTENTION:**
- GENERAL MANAGER
 - PARTS MANAGER
 - CLAIMS PERSONNEL
 - SERVICE MANAGER

IMPORTANT - All Service Personnel Should Read and Initial in the boxes provided, right.

© 2025 Subaru of America, Inc. All rights reserved.



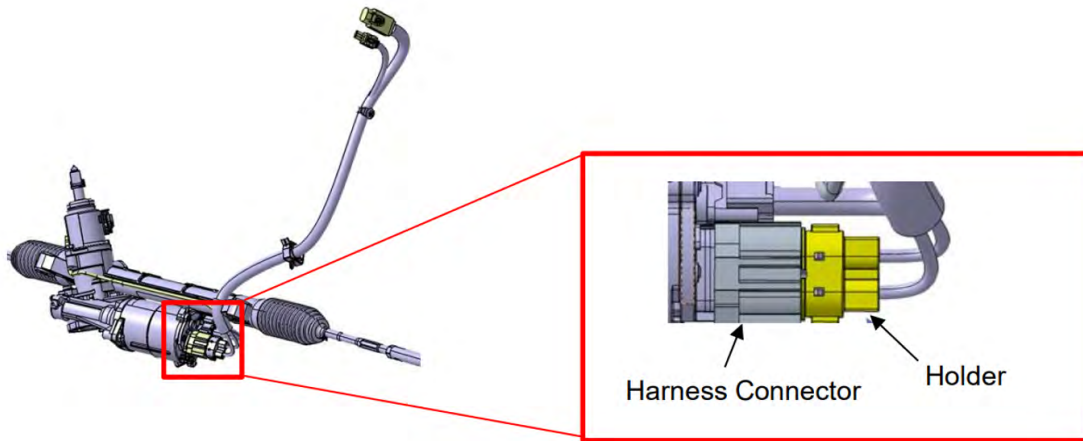
QUALITY DRIVEN® SERVICE

SERVICE BULLETIN

APPLICABILITY: 2018-21MY WRX **NUMBER:** 04-30-25
SUBJECT: Steering Gear Box / Design Change **DATE:** 10/14/25

INTRODUCTION:

This bulletin announces the design change made to the steering gearbox harness. The updated steering gearbox harness now features a connector holder, which improves water sealing performance and prevents corrosion. If corrosion is found at connector B452, replace the steering gearbox assembly.



PARTS INFORMATION:

REMINDER: Always order the most up-to-date replacement parts based on the specific VIN being repaired.

Old Part Number	Part Description	New Part Number
34110VA052	STEERING GEAR BOX ASSEMBLY, EPS	34110VA053
34110VA072		34110VA073

<p>CAUTION: VEHICLE SERVICING PERFORMED BY UNTRAINED PERSONS COULD RESULT IN SERIOUS INJURY TO THOSE PERSONS OR TO OTHERS.</p> <p>Subaru Service Bulletins are intended for use by professional technicians ONLY. They are written to inform those technicians of conditions that may occur in some vehicles, or to provide information that could assist in the proper servicing of the vehicle. Properly trained technicians have the equipment, tools, safety instructions, and know-how to do the job correctly and safely. If a condition is described, DO NOT assume that this Service Bulletin applies to your vehicle, or that your vehicle will have that condition.</p>	<p style="text-align: center;">Subaru of America, Inc. is ISO 14001 Compliant</p> <p>ISO 14001 is the international standard for excellence in Environmental Management Systems. Please recycle or dispose of automotive products in a manner that is friendly to our environment and in accordance with all local, state and federal laws and regulations.</p>
--	--

Continued...

SERVICE PROCEDURE / INFORMATION:

REMINDER: Customer satisfaction and retention starts with performing quality repairs.

The service procedures for Electric Power Steering Gearbox remain unchanged. Always refer to the applicable Service Manual and review the full requirements of the repair being performed. The Service Manual procedures contain information critical to performing an effective repair the first time, every time. This includes but is not limited to important SAFETY precautions, proper inspection criteria, necessary special tools, required processes and related one-time-use parts needed for a complete and lasting repair.

Steering > POWER ASSISTED SYSTEM (POWER STEERING) > Electric Power Steering Gearbox

WARRANTY / CLAIM INFORMATION:

For vehicles within the Basic New Car Limited, covered by an active Subaru Added Security Classic or Gold plan, or applicable extension, this repair may be submitted using the following claim information:

Labor Description	Labor Operation #	Labor Time	Fail Code
EPS GEARBOX ASSEMBLY R&R*	B659-486	2.0h	RDK-41

*Includes testing and diagnosis & steering toe adjustment.

IMPORTANT REMINDERS:

- SOA strongly discourages the printing and/or local storage of service information as previously released information and electronic publications may be updated at any time.
- Always check for any open recalls or campaigns anytime a vehicle is in for servicing.
- Always refer to STIS for the latest service information before performing any repairs.