



**MAINTENANCE
INFORMATION**

MI25-33

DATE :	October 2025	SECTION :	23 ACCESSORIES
SUBJECT :	BRIGADE MONITOR FLICKERING ISSUE		


First Release

10-29-2025

IMPORTANT NOTICE

This modification is recommended by PrevoSt to increase your vehicle's performance. Note that no reimbursement will be awarded for carrying out this modification.

APPLICATION

Model	VIN 
X3-45 coaches Model Year: 2025 - 2026	Vehicles equipped with Brigade surround camera system.
X3-45 VIP commercial use Model Year: 2025 - 2026	
X3-45 VIP motorhomes Model Year: 2025 - 2026	
H3-45 VIP motorhomes Model Year: 2025 - 2026	

DESCRIPTION

This maintenance information explains how to correct the flickering issue on Brigade monitors in vehicles equipped with a surround camera system.

SAFETY PRECAUTIONS

- Eye protection should always be worn when working in a shop.
- Rules for Personal Protection Equipment should always be respected. Wear your PPE including but not limited to the following:



Safety First!



PROCEDURE

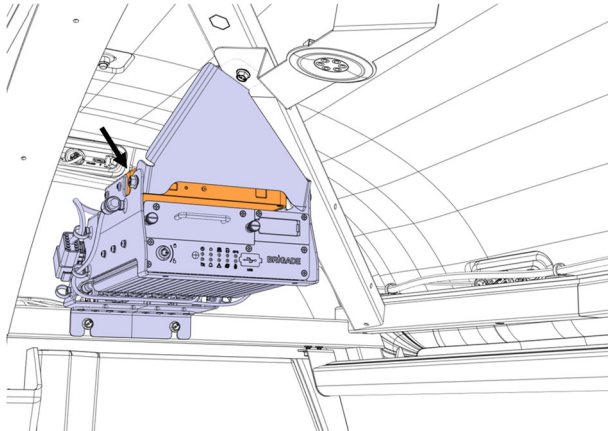


DANGER

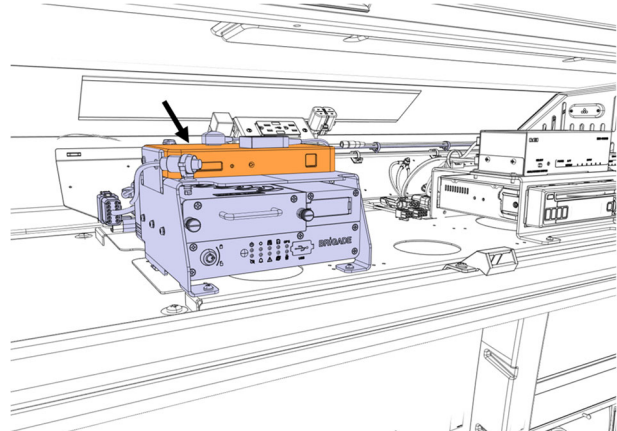
Park vehicle safely, apply parking brake, stop engine. Prior to working on the vehicle, set the ignition switch to the OFF position and trip the main circuit breakers equipped with a trip button. On Commuter type vehicles, set the battery master switch (master cut-out) to the OFF position.

Lock out & Tag out (LOTO) must be performed during set-up, maintenance or repair activities. Refer to your local procedure for detailed information regarding the control of hazardous energy.

1. Locate the ECU module of Brigade surround camera system in the front left-hand side of the vehicle.

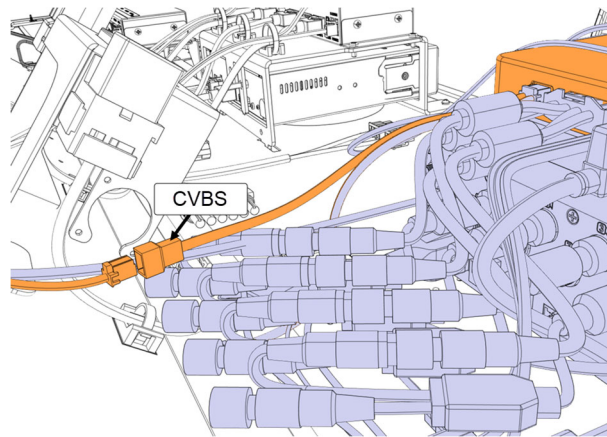


X3-45 VIP and H3-45 VIP

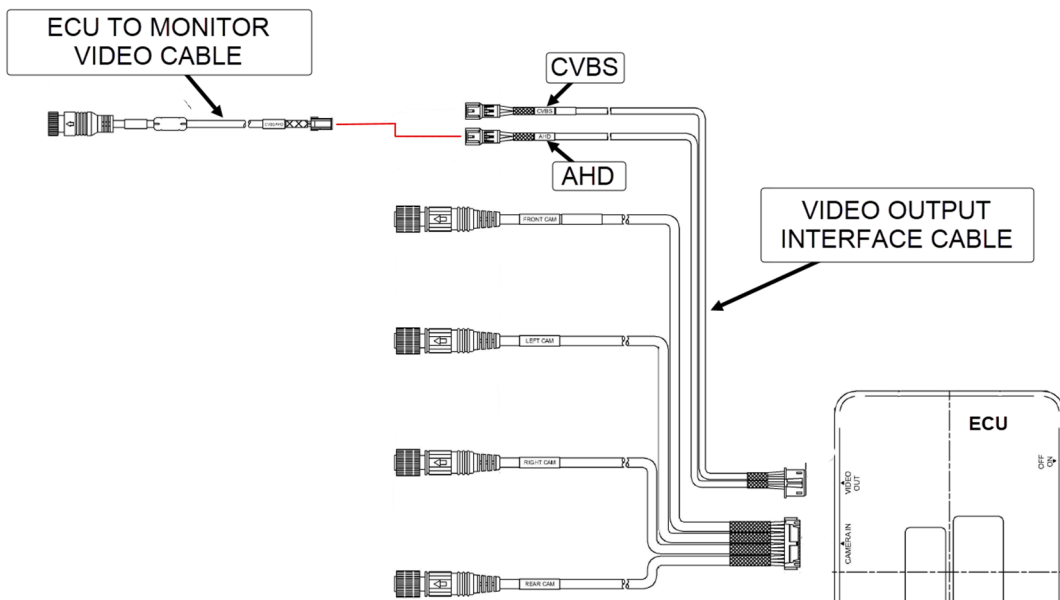


X3-45 COACH

2. Disconnect the monitor cable from the CVBS connector of the video output interface cable on the ECU.



3. Connect the monitor cable to the AHD connector of the video output interface cable on the ECU.



PARTS / WASTE DISPOSAL

Discard according to applicable environmental regulations (Municipal/State[Prov.]/ Federal)

Access all our Service Bulletins on <http://techpub.prevostcar.com/en/>
Or scan the QR-Code with your smart phone

Are you a Vehicle owner?
E-mail us at prevost.techpub@volvo.com and type "ADD" in the subject to receive
warranty bulletins applicable to your vehicle(s) by e-mail.

