



Bulletin #: AS-78-25		<input type="checkbox"/> Take Note <input checked="" type="checkbox"/> Take Action	
<input type="checkbox"/> Retail Operator	<input type="checkbox"/> Sales Pre-Owned	<input checked="" type="checkbox"/> Business Manager	<input checked="" type="checkbox"/> Parts & Accessories
<input checked="" type="checkbox"/> General Manager	<input type="checkbox"/> Sales New Bike	<input checked="" type="checkbox"/> Service	<input type="checkbox"/> Administration
Name:		Phone Number:	
Title:		Source: Parts Logistics	
Email:			
Date: 10/14/2025		Supersedes: -	

# TEC799 PROPELLER SHAFT

## INSPECT OF ALL PARTS ON STOCK

### OVERVIEW

BMW AG has requested the inspection of all dealer stock of the part numbers listed below to ensure all parts in stock that have affected serial numbers are returned.

Description	Part Number	Affected Serial Numbers
Propeller Shaft	33 71 5 A9D 7F6	555A9D7970324B3180000112 555A9D7970324B3330000608 555A9D7970324B3170000017 555A9D7970324B3330000620 555A9D7970324B3330000599 555A9D7970324B3250000092 555A9D7970324B3250000093 555A9D7970325B240000207
Propeller Shaft	33 71 5 A9D 797	555A9D7F60324B3400000507 555A9D7F60325B80000037 555A9D7F60325B50000651 555A9D7F60324B3310000602 555A9D7F60324B3300000498 555A9D7F60324B3310000001 555A9D7F60324B33700010450000 555A9D7F60324B3320000288 555A9D7F60324B3330000347 555A9D7F60324B3330000340 555A9D7F60324B352000236

**MAKE LIFE A RIDE**



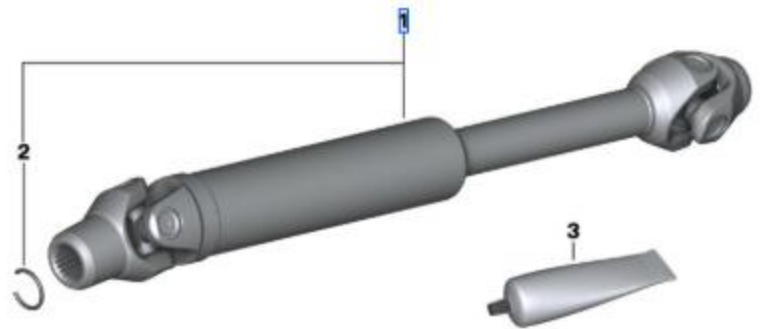
**BMW  
MOTORRAD**

- The image to the right shows the parts as depicted in ETK. Please see under "MORE DETAILS" section for information to determine affected stock to be returned.

- Affected stock must not be sold or installed on any motorcycle.

- Affected is all stock of new spare parts shipped and delivered to date only.

- Please return all incorrect part(s) to your facing Regional Distribution Center (RDC). Submit for return using a YR26 damage claim with order reason BM2. A valid BMW delivery and delivery item number must be entered, and 'TEC799' must appear in the text of your TEC claim. For assistance locating the delivery number, please open an IDS ticket with Dealer Services in the Claims section directed to Returns/Claims/Quality.



## **MORE DETAILS**

- TEC799 is valid from October 14, 2025, through November 3, 2025. The deadline for filing a claim under TEC799 is November 3, 2025.
- All parts must be returned to your facing RDC no later than November 17, 2025.
- Please re-order as needed.

**MAKE LIFE A RIDE**

---



**BMW  
MOTORRAD**

Affected Parts (NOT OK)

Non Affected Parts (OK)

The serial numbers may have different lengths;  
However, plain text and DMC always match. Please see affected serial numbers.



## MORE QUESTIONS?

Aftersales Business Development Manager		
Material Planning and Parts Logistics Analyst		

**MAKE LIFE A RIDE**