

Subject: REPLACEMENT OF DEFECTIVE
DEFROSTER GAS VALVE WITH MCC
VALVE

Bulletin Type: FIELD FIX CONDITIONAL

Bulletin No: TS45-FC-2506

PQR No: 500000007696

Rev No: LIQUID SOLENOID VALVE
REPLACEMENT

Ref. No: 700004644

Vehicle Model: TS45 E EPA21/EPA24

Flat Rate Time / Code: 270 MIN

Date of issue: 14.03.2025

Modify Before: 14.03.2026

What to do with off coming parts:

- Scrap
- Return
- Use with additional parts
- On consignment
- No off coming parts

What to do with outstanding parts of previous revision:

- Scrap
- Return
- Use with additional parts
- On consignment
- No outstanding parts

Description of the modification:

If you have any problem on the heating or cooling on the driver A/C, Please first check the liquid selenoid valve. If you see any voltage fluctiating please replaced the liquid selenoid valve with the new valve which is brand MCC/BCC

Bulletin Responsible: Osman Nuri COŞKUN

Published & Approved By: Emre KANKILIÇ

SAFETY INSTRUCTIONS

1. Mechanical Requested Dress Code

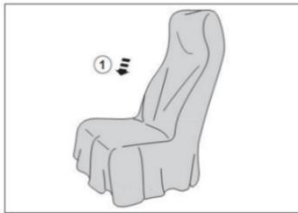


WARNING:

- Dress properly to avoid personal injury and damage to the vehicle

- ✓ Always wear protective clothing
- ✓ Do not wear any worn or loose-fitting clothing
- ✓ Remove jewelry before starting to work
- ✓ In case of long hair, use hairnet
- ✓ The illustration on the left shows some of the correct and incorrect clothing
- ✓ Sharp edged items should be avoided in order not to scratch vehicle (i.e. belts, watches, necklace)

2. Protect Seats when Mechanic Starts Working

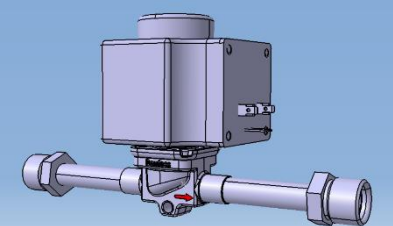


- ✓ Seats, trimming, upholstery stuff and carpeting should be protected with appropriate coverings.

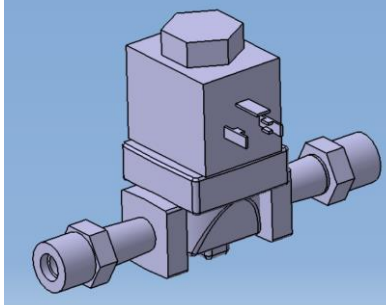
3. Welding on the Chassis

- Always disconnect the batteries (starting with the negative lead).
- Disconnect the connectors of electrical and electronic equipment (electronic control units, sensors and actuators) if they are less than 2 meters away from the chassis part to be welded or the earth terminal of the welding equipment.
- The earth terminal should never be attached to vehicle components such as engine, axles and springs. Arcing on these parts is not permitted, because of the risk of damage to bearings, springs, etc.
- The earth terminal must make good contact and be placed as close as possible to the part to be welded.
- Plastic pipes, rubber parts and parabolic springs should be well protected against welding spatter and temperatures higher than 70°.
- The contact switch must not be in the accessory or contact position. The contact key should be removed.
- Reconnect in reversed order of disconnecting. Ensure that a good earth connection is made between chassis, engine and cab.

INCLUDED PARTS LIST

No	Part No	Part Name	Picture	Qty	Unit of Measure
1	9662-100	HVAC GAS SELENOID VALF, BCC 34-0236		1	Piece

REMOVED PARTS LIST

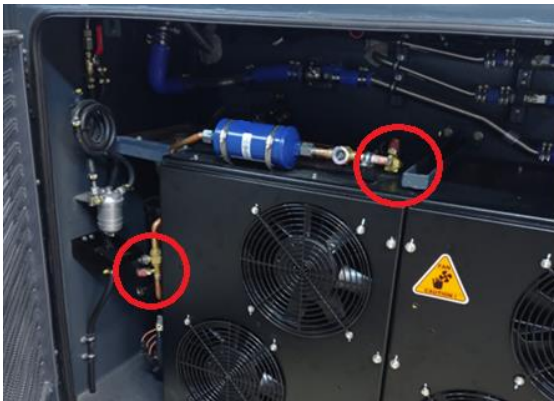
No	Part No	Part Name	Picture	Qty	Unit of Measure
1	RP306130Y	A/C SELENOID VALVE		1	Piece

LABOR BREAKDOWN

Application	Time
1- Close the service valves on the condenser	10'
2- 3pcs Opening maintenance covers of gas valves	20'
3-3 pcs Energize the gas valve with 24V or open the valve with a magnet coil	20'
4-Open the service valves on the air conditioning compressor and collect the gas into the air conditioning recycler	60'
5- Remove and replace the gas valve electric coil and gas valve in the corridor	30'
6-3 pcs gas valve energizing or opening with magnet coil	30'
7- Apply 120' vacuum treatment to the low pressure and high pressure valves on the air conditioning compressor, make sure there is no gas leakage	60'
8-Switch the filter service valves on the condenser from closed to open position	10'
9-Returning 12000 g of gas taken from the vehicle to the vehicle	30'
Total Labor Time	270'

APPLICATION PHASES

1- Close the service manual valves on the condenser



2- 3pcs Opening maintenance covers of gas valves



3- 3 pcs Energize the gas valve with 24V or open the valve with a magnet coil



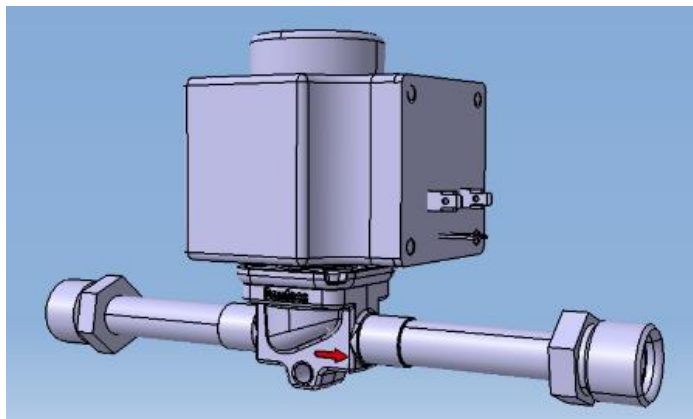
4-Open the service valves on the air conditioning compressor and collect the gas into the air conditioning recycler



5- Removing the maintenance hatch in the floor and replacing the gas valve with a new one



ATTENTION : THE FLOW DIRECTION MARKING ON THE VALVE MUST FACE THE FRONT OF THE VEHICLE



1	NLTEJXA92M1000328
2	NLTEJXA94M1000329
3	NLTEJXA96N1000334
4	NLTEJXA99N1000330
5	NLTEJXA90N1000331
6	NLTEJXA92N1000332
7	NLTEJXA94N1000333
8	NLTEJXA98N1000335
9	NLTEJXA9XN1000336
10	NLTEJXA91N1000337
11	NLTEJXA9XP1000338
12	NLTEJXA95N1000339
13	NLTEJXA91N1000340
14	NLTEJXA93N1000341
15	NLTEJXA95N1000342
16	NLTEJXA97N1000343
17	NLTEJXA95P1000344
18	NLTEJXA90N1000345
19	NLTEJXA92N1000346
20	NLTEJXA94N1000347
21	NLTEJXA92P1000348
22	NLTEJXA94P1000349
23	NLTEJXA90P1000350
24	NLTEJXA92P1000351
25	NLTEJXA94P1000352
26	NLTEJXA96P1000353
27	NLTEJXA98P1000354
28	NLTEJXA9XP1000355
29	NLTEJXA91P1000356
30	NLTEJXA93P1000357
31	NLTEJXA95P1000358
32	NLTEJXA97P1000359
33	NLTEJXA93P1000360
34	NLTEJXA99N1000361
35	NLTEJXA90N1000362
36	NLTEJXA92N1000363
37	NLTEJXA94N1000364
38	NLTEJXA96N1000365
39	NLTEJXA98N1000366
40	NLTEJXA9XN1000367

41	NLTEJXA91N100036
42	NLTEJXA93N1000369
43	NLTEJXA9XN1000370
44	NLTEJXA98P1000371
45	NLTEJXA9XP1000372
46	NLTEJXA91P1000373
47	NLTEJXA93P1000374
48	NLTEJXA95P1000375
49	NLTEJXA97P1000376
50	NLTEJXA99P1000377
51	NLTEJXA90P1000378
52	NLTEJXA92P1000379
53	NLTEJXA99P1000380
54	NLTEJXA90P1000381
55	NLTEJXA92P1000382
56	NLTEJXA94P1000383
57	NLTEJXA96P1000384
58	NLTEJXA98P1000385
59	NLTEJXA9XP1000386
60	NLTEJXA91P1000387
61	NLTEJXA93P1000388
62	NLTEJXA95P1000389
63	NLTEJXA91P1000390
64	NLTEJXA93P1000391
65	NLTEJXA95P1000392
66	NLTEJXA97P1000393
67	NLTEJXA99P1000394
68	NLTEJXA90P1000395
69	NLTEJXA92P1000396
70	NLTEJXA94P1000397
71	NLTEJXA96P1000398
72	NLTEJXA98P1000399
73	NLTEJXA90P1000400
74	NLTEJXA92P1000401
75	NLTEJXA96P1000403
76	NLTEJXA98P1000404
77	NLTEJXA9XP1000405
78	NLTEJXA91P1000406
79	NLTEJXA93P1000407
80	NLTEJXA95P1000408

81	NLTEJXA97P1000409
82	NLTEJXA93P1000410
83	NLTEJXA95P1000411
84	NLTEJXA97P1000412
85	NLTEJXA99P1000413
86	NLTEJXA90P1000414
87	NLTEJXA92P1000415
88	NLTEJXA94P1000416
89	NLTEJXA96P1000417
90	NLTEJXA94R1000418
91	NLTEJXA96R1000419
92	NLTEJXA92R1000420
93	NLTEJXA94R1000421
94	NLTEJXA96R1000422
95	NLTEJXA9XR1000424
96	NLTEJXA91R1000425
97	NLTEJXA93R1000426
98	NLTEJXA95R1000427
99	NLTEJXA97R1000428
100	NLTEJXA99R1000429
101	NLTEJXA95R1000430
102	NLTEJXA97R1000431
103	NLTEJXA99R1000432
104	NLTEJXA94R1000435
105	NLTEJXA96R1000436
106	NLTEJXA98R1000437
107	NLTEJXA9XR1000438
108	NLTEJXA91R1000439
109	NLTEJXA94P1000433
110	NLTEJXA96P1000434
111	NLTEJXA98R1000440
112	NLTEJXA9XR1000441
113	NLTEJXA91R1000442
114	NLTEJXA93R1000443
115	NLTEJXA95R1000444
116	NLTEJXA97R1000445
117	NLTEJXA99R1000446
118	NLTEJXA90R1000447
119	NLTEJXA92R1000448
120	NLTEJXA94R1000449

121	NLTEJXA90R1000450
122	NLTEJXA92R1000451
123	NLTEJXA94R1000452
124	NLTEJXA96R1000453
125	NLTEJXA98R1000454
126	NLTEJXA9XR1000455
127	NLTEJXA91R1000456
128	NLTEJXA93R1000457
129	NLTEJXA95R1000458
130	NLTEJXA97R1000459
131	NLTEJXA93R1000460
132	NLTEJXA95R1000461
133	NLTEJXA97R1000462
134	NLTEJXA99R1000463
135	NLTEJXA90R1000464
136	NLTEJXA92R1000465
137	NLTEJXA94R1000466
138	NLTEJXA96R1000467
139	NLTEJXA98R1000468
140	NLTEJXA9XR1000469
141	NLTEJXA96R1000470
142	NLTEJXA98R1000471
143	NLTEJXA9XR1000472
144	NLTEJXA91R1000473
145	NLTEJXA93R1000474
146	NLTEJXA95R1000475
147	NLTEJXA97R1000476
148	NLTEJXA99R1000477
149	NLTEJXA92R1000479
150	NLTEJXA99R1000480
151	NLTEJXA90R1000481
152	NLTEJXA92R1000482
153	NLTEJXA94R1000483
154	NLTEJXA96R1000484
155	NLTEJXA98R1000485
156	NLTEJXA9XR1000486
157	NLTEJXA91R1000487
158	NLTEJXA93R1000488
159	NLTEJXA95R1000489
160	NLTEJXA91R1000490

161	NLTEJXA93R1000491
162	NLTEJXA95R1000492
163	NLTEJXA97R1000493
164	NLTEJXA99R1000494
165	NLTEJXA90R1000495
166	NLTEJXA94R1000497
167	NLTEJXA96R1000498
168	NLTEJXA98R1000499
169	NLTEJXA90R1000500
170	NLTEJXA9XR1000505
171	NLTEJXA92R1000501
172	NLTEJXA98R1000504
173	NLTEJXA92R1000496
174	NLTEJXA97R1000509
175	NLTEJXA94R1000502
176	NLTEJXA96R1000503
177	NLTEJXA91R1000506
178	NLTEJXA97R1000512
179	NLTEJXA93R1000507
180	NLTEJXA95R1000508
181	NLTEJXA99R1000513
182	NLTEJXA93R1000510
183	NLTEJXA95R1000511
184	NLTEJXA90R1000514
185	NLTEJXA92R1000515
186	NLTEJXA94R1000516
187	NLTEJXA95R1000525
188	NLTEJXA96R1000517
189	NLTEJXA98R1000518
190	NLTEJXA9XR1000519
191	NLTEJXA96R1000520
192	NLTEJXA98R1000521
193	NLTEJXA9XR1000522
194	NLTEJXA91R1000523
195	NLTEJXA93R1000524
196	NLTEJXA90R1000528
197	NLTEJXA92R1000529
198	NLTEJXA97R1000526
199	NLTEJXA99R1000527
200	NLTEJXA99R1000530

201	NLTEJXA90R1000531
202	NLTEJXA92R1000532
203	NLTEJXA94R1000533
204	NLTEJXA96R1000534
205	NLTEJXA98R1000535
206	NLTEJXA9XR1000536
207	NLTEJXA91R1000537
208	NLTEJXA93R1000538
209	NLTEJXA95R1000539
210	NLTEJXA91R1000540
211	NLTEJXB98S1000541
212	NLTEJXB9XS1000542
213	NLTEJXB91S1000543
214	NLTEJXB93S1000544
215	NLTEJXB95S1000545
216	NLTEJXB97S1000546
217	NLTEJXB99S1000547
218	NLTEJXB90S1000548
219	NLTEJXB92S1000549
220	NLTEJXB99S1000550
221	NLTEJXB90S1000551
222	NLTEJXB92S1000552
223	NLTEJXB94S1000553
224	NLTEJXB96S1000554
225	NLTEJXB98S1000555
226	NLTEJXB9XS1000556
227	NLTEJXB91S1000557
228	NLTEJXB93S1000558
229	NLTEJXB95S1000559
230	NLTEJXB91S1000560
231	NLTEJXB93S1000561
232	NLTEJXB95S1000562
233	NLTEJXB97S1000563
234	NLTEJXB99S1000564
235	NLTEJXB90S1000565
236	NLTEJXB92S1000566
237	NLTEJXB94S1000567
238	NLTEJXB96S1000568
239	NLTEJXB98S1000569
240	NLTEJXB94S1000570

241	NLTEJXB96S1000571
242	NLTEJXB98S1000572
243	NLTEJXB9XS1000573
244	NLTEJXB91S1000574
245	NLTEJXB93S1000575
246	NLTEJXB95S1000576
247	NLTEJXB97S1000577
248	NLTEJXB99S1000578
249	NLTEJXB90S1000579
250	NLTEJXB97S1000580
251	NLTEJXB99S1000581
252	NLTEJXB90S1000582
253	NLTEJXB92S1000583
254	NLTEJXB94S1000584
255	NLTEJXB96S1000585
256	NLTEJXB98S1000586
257	NLTEJXB9XS1000587
258	NLTEJXB91S1000588
259	NLTEJXB93S1000589
260	NLTEJXB9XS1000590
261	NLTEJXB91S1000591
262	NLTEJXB93S1000592
263	NLTEJXB95S1000593
264	NLTEJXB97S1000594
265	NLTEJXB99S1000595
266	NLTEJXB90S1000596
267	NLTEJXB94S1000598
268	NLTEJXB96S1000599
269	NLTEJXB92S1000597
270	NLTEJXB99S1000600
271	NLTEJXB90S1000601
272	NLTEJXB92S1000602
273	NLTEJXB94S1000603
274	NLTEJXB96S1000604
275	NLTEJXB98S1000605
276	NLTEJXB9XS1000606
277	NLTEJXB91S1000607
278	NLTEJXB93S1000608
279	NLTEJXB95S1000609
280	NLTEJXB91S1000610

281	NLTEJXB93S1000611
282	NLTEJXB95S1000612
283	NLTEJXB90S1000615
284	NLTEJXB94S1000617
285	NLTEJXB98S1000619
286	NLTEJXB96S1000621
287	NLTEJXB97S1000613
288	NLTEJXB99S1000614
289	NLTEJXB92S1000616
290	NLTEJXB96S1000618
291	NLTEJXB94S1000620
292	NLTEJXB98S1000622
293	NLTEJXB9XS1000623
294	NLTEJXB91S1000624
295	NLTEJXB93S1000625
296	NLTEJXB95S1000626
297	NLTEJXB97S1000627
298	NLTEJXB99S1000628
299	NLTEJXB90S1000629
300	NLTEJXB97S1000630
301	NLTEJXB90S1000632
302	NLTEJXB92S1000633
303	NLTEJXB96S1000635
304	NLTEJXB99S1000631
305	NLTEJXB9XS1000637
306	NLTEJXB93S1000639
307	NLTEJXB9XS1000640
308	NLTEJXB94S1000634
309	NLTEJXB98S1000636
310	NLTEJXB91S1000638
311	NLTEJXB91S1000641
312	NLTEJXB93S1000642
313	NLTEJXB95S1000643
314	NLTEJXB97S1000644
315	NLTEJXB99S1000645
316	NLTEJXB90S1000646
317	NLTEJXB92S1000647
318	NLTEJXB94S1000648
319	NLTEJXB96S1000649
320	NLTEJXB92S1000650

321	NLTEJXB99S1000659
322	NLTEJXB97S1000661
323	NLTEJXB99S1000662
324	NLTEJXB92S1000664
325	NLTEJXB94S1000665
326	NLTEJXB96S1000666
327	NLTEJXB98S1000667
328	NLTEJXB9XS1000668
329	NLTEJXB91S1000669
330	NLTEJXB98S1000670
331	NLTEJXB9XS1000671
332	NLTEJXB91S1000672