



STAR ONLINE PUBLICATION



Case Number: S2508000083

Release Date: October 2025

Symptom/Vehicle Issue: Keyless Ignition Node (KIN) Sets Diagnostic Trouble Codes (DTCs) B1A7D-2A, U103C-00, or B1A7D-01

Technician Observation: The technician observed the KIN module has set one of the following DTCs, B1A7D-2A - Start Button-Stuck, U103C-00 - KIN/IGNM Communication, B1A7D-01 - Start Button-General Electrical Failure.

Repair Procedure: The keyless go button, Push to Start button KIN is either stuck or requires multiple presses to switch the ignition position; KIN sets :

DTC B1A7D-2A Start Button-Stuck:

1. No service parts required - do not replace the KIN if the DTC B1A7D-2A is stored.
2. Attempt to duplicate the fault by cycling the keyless go button multiple times while monitoring the switch LED positions.
3. If DTC B1A7D-2A DTC is stored, clear the DTC to complete.
4. If the DTC is active, proceed to further diagnosis using the service Information listed within Service Library (SL).

DTC U103C-00:KIN/IGNM Communication and/or B1A7D-01: Start Button-General Electrical Failure:

1. Attempt to clear the DTC, if the DTC was stored and cleared or cannot be cleared, inspect the circuits near or going to the KIN to ensure they have not been damaged, pinched or have had any other aftermarket equipment added to the circuits.
2. If no findings during a visual inspection or during harness movement, continue with normal diagnostics within SL.



This document does not authorize warranty repairs. This communication documents a record of past experiences. STAR Online does not provide any conclusions about what is wrong with the vehicle. Rather, it captures all previous cases known that appear to be similar or related to the vehicle symptom / condition. You are the expert, and you are responsible for deciding on the appropriate course of action.

Contact STAR Center, or your Technical Assistance Center Via TechConnect, eCONTACT or Service Library entry if no solution is found.

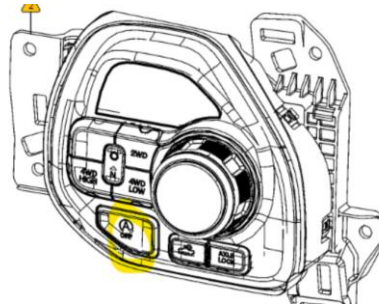


STAR ONLINE PUBLICATION



DTC P05BD: Stop Start Mode Switch Range Performance:

Note: This DTC is not related to the KIN – this DTC is related to the Electronic Shift Module – stop start on off button. See highlighted –



This document does not authorize warranty repairs. This communication documents a record of past experiences. STAR Online does not provide any conclusions about what is wrong with the vehicle. Rather, it captures all previous cases known that appear to be similar or related to the vehicle symptom / condition. You are the expert, and you are responsible for deciding on the appropriate course of action.

Contact STAR Center, or your Technical Assistance Center Via TechConnect, eCONTACT or Service Library entry if no solution is found.