



SIB 46 02 25

SERVICE ACTION: Replace Retaining Straps

2025-09-29

MODEL

Model	Model Description	Production Date
KA3	R 1300 RT	0M43

The affected vehicles have been marked with campaign number **0046680000** in AIR.

In order to determine if a specific motorcycle is affected by this campaign, it will be necessary to verify the vehicle VIN in AIR (Aftersales Information Research). Based on the response of the system, either proceed with the repair or take no further action. Please note, open campaigns or vehicle stops may not appear in DCS Warranty Vehicle Inquiry or sales systems until 24-72 hours after they are announced, therefore AIR is always the recommended method for determining open campaigns and vehicle stops.

SITUATION

R 1300 RT's built from the factory with option "068B Variable Luggage System" may have retaining straps that have not been crimped properly.

For vehicles that have not yet been delivered, the service action must be completed before vehicle handover. If the service action cannot be completed due to a parts, software, or special tool shortage, the service action then must be performed during the next possible workshop visit when parts, software, or special tools become available. In such instances where work cannot be performed, it is essential to inform the customer of the situation.

In all instances in which the vehicles have already been handed over to customers, the Technical Campaign must be performed at the next workshop visit.

PROCEDURE

The repair is to replace the securing straps per the repair instructions "46 54 291 – Replacing a securing band" Attached.

PARTS INFORMATION

Obtain and confirm the part numbers for your specific vehicle by entering the chassis number in ETK which takes into account specific equipment and/or options.

Additional parts like gaskets, hardware and chemicals may be required for the complete repair.

Part Number

46 54 5 B89 253	Left securing strap repair kit (QTY 1)
46 54 5 B89 254	Right securing strap repair kit (QTY 1)

CLAIM INFORMATION

Please submit claims via the normal claim process using the information below:

Defect code

Copyright ©2025 MOTORRAD USA, a division of BMW of North America, LLC. All Rights Reserved

00 46 68 00 00	Replace Vario Case Retaining
----------------	------------------------------

Labor Operation

00 60 424	Replacing Retaining Strap for Both Cases	3 FRU
+00 60 924	Replacing Retaining Strap for Both Cases	2 FRU

FRUs includes all repair procedures to complete the task with allowance for necessary ancillary tasks (e.g., visual inspection, lubrication, cleaning parts etc.) and administrative tasks.

Labor operation code 00 60 424 is a Main labor operation. If you are using a Main labor code for another repair, use the Plus code labor operation instead.

QUESTIONS REGARDING THIS BULLETIN

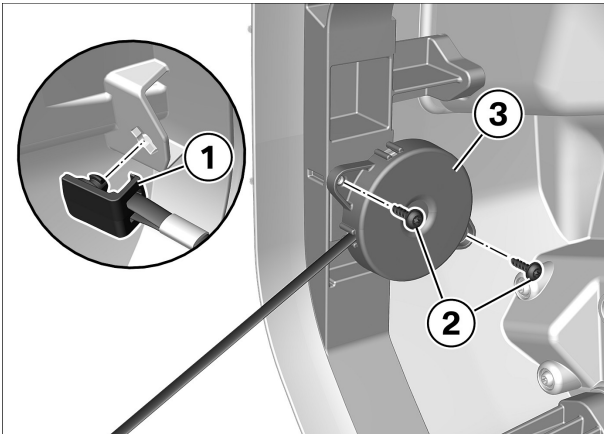
Technical inquiries	Contact the BMW Technical Support Group via TSARA
Warranty inquiries	Submit an IDS ticket to the Warranty Department
Parts inquiries	Submit an IDS ticket to the Motorrad Parts Department

Powered by [Froala Editor](#)

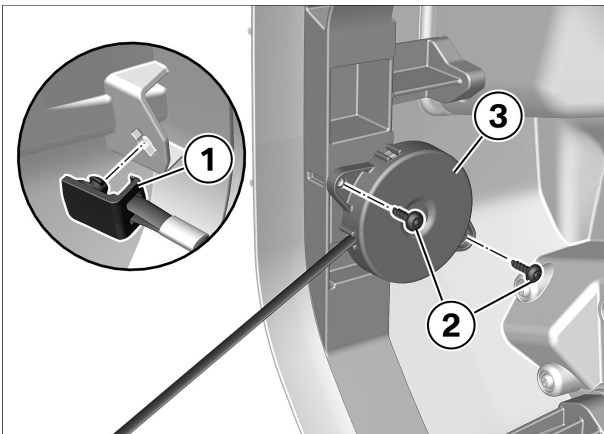
Supporting Materials

[picture_as_pdf RM_4654291_0M41_EN.pdf](#)

[picture_as_pdf 46 02 25 - SA Replace retaining straps.pdf](#)

OM41 - R 1300 RT**46 54 291 Replacing retaining strap for case****1****► Removing retaining strap for case**

- Open the lid of the case.
- Unlock and loosen hook **(1)** by turning.
- Remove screws **(2)** and remove securing band **(3)**.

**2****► Installing retaining strap for case**

- Position securing band **(3)** and install screws **(2)**.
- Secure hook **(1)** and lock it by turning.
- Closing cases.

