



STAR ONLINE PUBLICATION



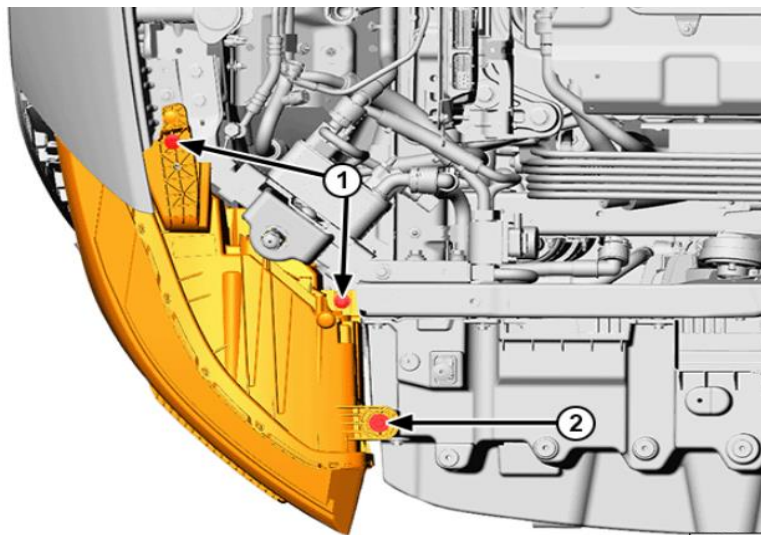
Case Number: S2523000081

Release Date: September 2025

Symptom/Vehicle Issue: Front Fascia Poor Fitment Popping Out From Headlamp Area.

Discussion: If the front fascia has poor fitment or misalignment issue around the headlamp, the following adjustment can be used to improve fitment.

Refer to Service Library 08 - Electrical / 8L - Lamps and Lighting / Lamps/Lighting - Exterior / LAMP / Removal and Installation FRONT LAMP UNIT. It is not necessary to remove the lamp. Locate the top fasteners and loosen headlamp, push the lamp unit forward and engage with fascia bracket, then re-secure the headlamp.



This document does not authorize warranty repairs. This communication documents a record of past experiences. STAR Online does not provide any conclusions about what is wrong with the vehicle. Rather, it captures all previous cases known that appear to be similar or related to the vehicle symptom / condition. You are the expert, and you are responsible for deciding on the appropriate course of action.

Contact STAR Center, or your Technical Assistance Center Via TechConnect, eCONTACT or Service Library entry if no solution is found.