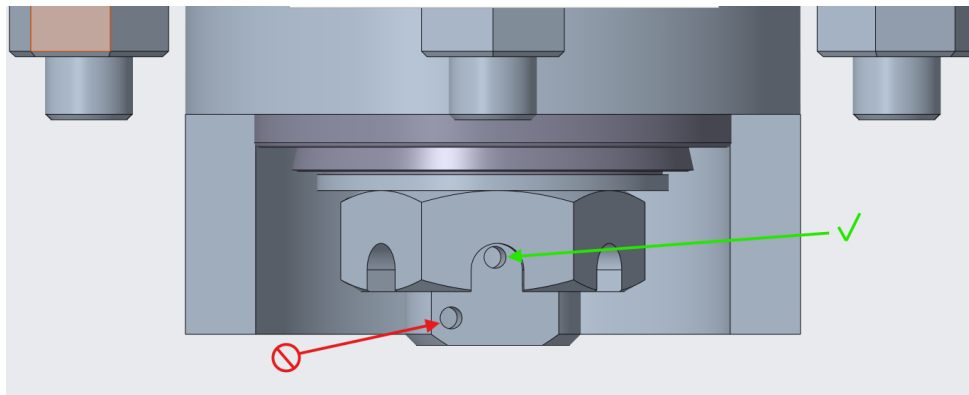


Virnig HDD Trailer Hub Replacement Procedure

1. Loosen lug nuts (Part #8) from wheel (Part #7).
2. Jack up trailer on sturdy surface so wheel is suspended. Remove lug nuts (Part #8) and wheel (Part #7)
3. Remove wheel hub dust cap (Part #6) and take picture to be forwarded to Virnig Inc.
4. Remove the cotter pin (Part #11) from the slotted hex nut (Part #12) and wheel spindle.
5. Remove the slotted hex nut (Part #12) and spindle washer (Part #5).
6. Remove the wheel hub (Part #4) from the spindle.
7. While unpacking the replacement wheel hub (Part #4), inspect to ensure the rear grease seal and both bearing cups and cones are contained within. Slide the hub over the wheel spindle on the suspension frame. Place the spindle washer (Part #5) on the spindle followed by the wheel slotted hex nut (Part #12). Follow the **critical** Slotted Hex Nut Installation Procedure.
 - a. Thread on slotted hex nut with slots facing outward.
 - b. Tighten slotted hex nut to 50 ft-lbs.
 - c. Loosen nut 1/4 turn.
 - d. Finger tighten nut.
 - e. Install cotter pin through slot in nut and hole in spindle, loosening nut if necessary. **Do not loosen more than 1/6th turn.**
 - f. Bend cotter pin legs to secure ensuring pin does not interfere with outer bearing or dust cap upon reassembly.



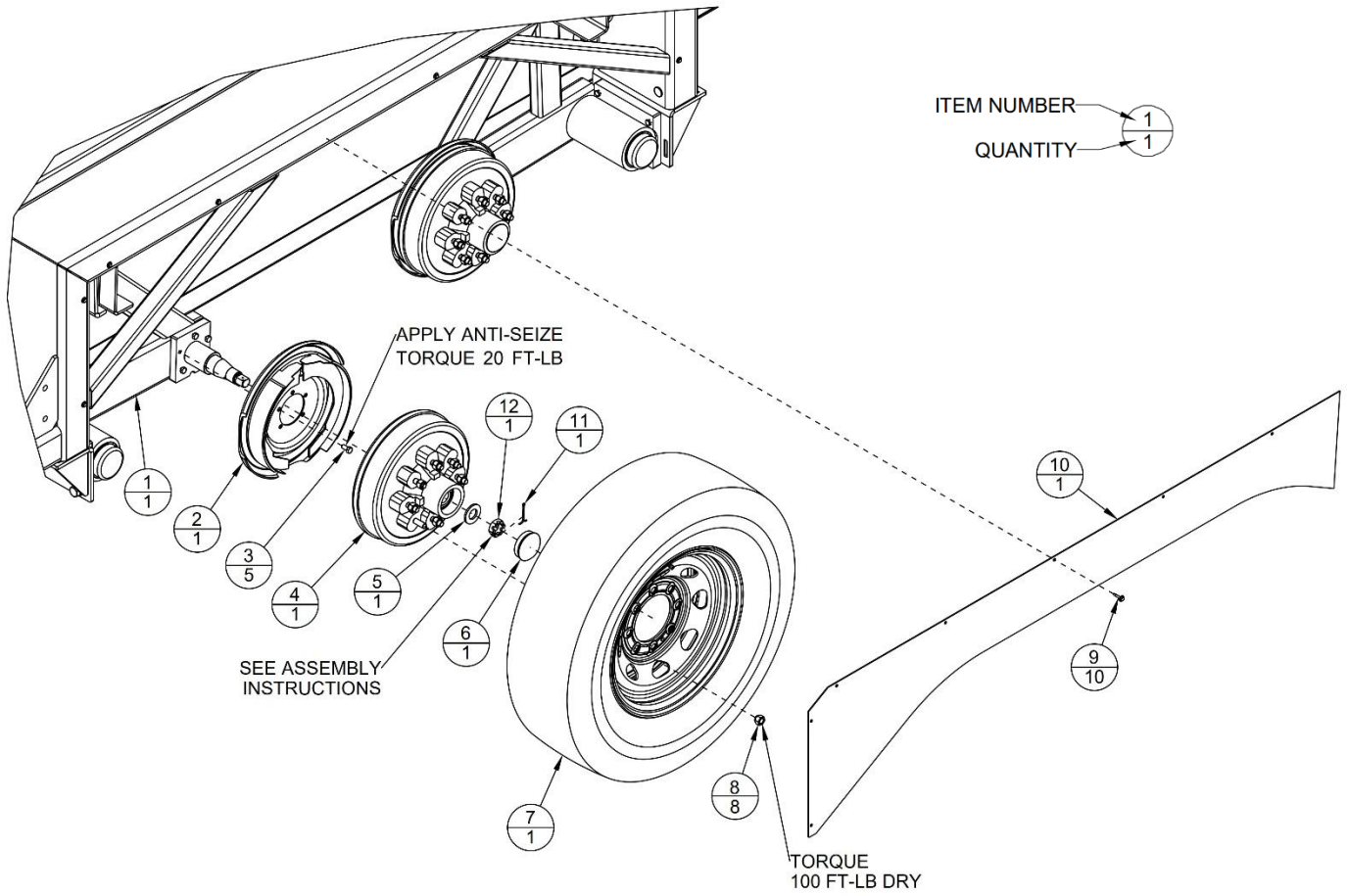
Hub cut away in view to show nut/spindle alignment.

Use inner hole for cotter key retention (Green Arrow). Outer hole is intended for alternate retention method (Red Arrow). Do NOT use.

If above Slotted Hex Nut Installation Procedure is followed and a hole is not available for the cotter key, pause installation and contact Virnig Mfg.

8. Install wheel hub dust cap (Part #6) by gently tapping around the perimeter.
9. Install wheel (Part #7) and lug nuts (Part #8). Tighten in star pattern in two steps. First to 50 ft-lbs. and then to 100 ft-lbs. dry torque.
10. Rotate wheel while suspended. It should rotate with minimal resistance.

HDD Wheel and Hub Assembly



Item #	Part #	Description	Quantity
1	15753VW	SUSPENSION WDT A	1
	15754VW	SUSPENSION WDT B	
2	15780PP	BRAKE ASSEMBLY LH	1
	16235PP	BRAKE ASSEMBLY RH	
3	1116PP	3/8"-16 X 3/4" LG HHCS	5
4	17030PP	7K WHEEL HUB SUBASSEMBLY	1
5	16208PP	1" X 2" SPINDLE WASHER	1
6	15771PP	WHEEL DUST CAP	1
7	15839PP	ST23580R16LRE/16X6865BLKMOD	1
8	15844PP	1/2"-20 X 5/8" WHEEL NUT	8
9	16212PP	12-14 x 1" HEX SELF-DRILLING	10
10	15843VP	WHEEL WELL COVER	1
11	10972PP	1/8" X 1 1/4" COTTER PIN	1
12	15777PP	1"-14 GRADE 2 SLOTTED HEX NUT	1